

# E3243 Series

Gate Valve, Resilient Seated

## Technical Data Sheet



## Description

The **Series E3243** is a resilient seated, on-off gate valves for plumbing, AC, irrigation, commercial and industrial application.



### E3243

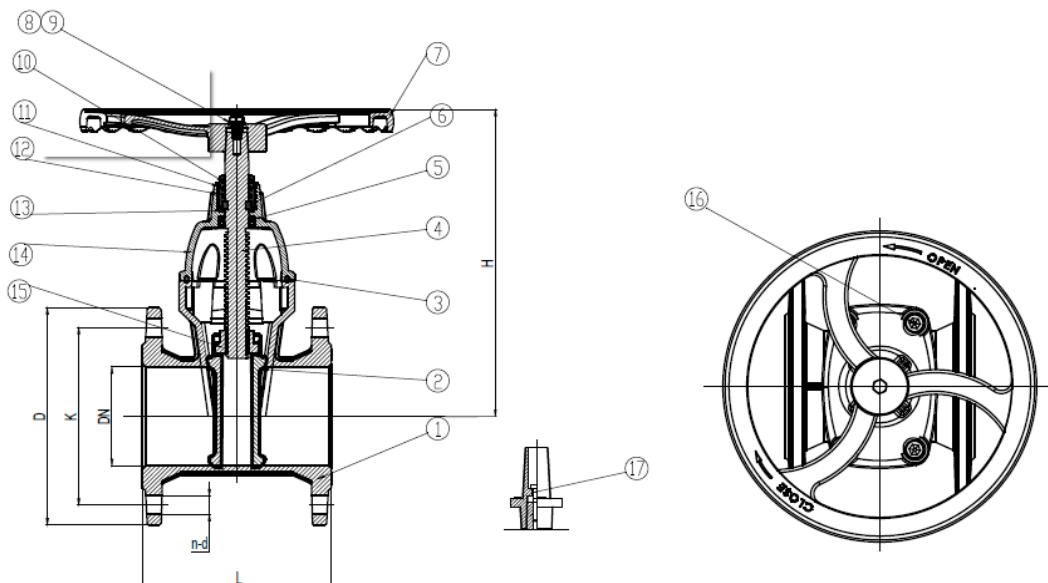
Resilient seating, Inside screw, Superior stem packing with three O-rings, one primary O-ring seal and dust seal, High strength thrust collar, Epoxy Coating

- Nominal Pressure: PN 10/16
- Temperature Range: 0°C÷80°C

Type	Part No.	DN	PFA (water)	Net Weight (kg)
E3243	61070104	40	16	9,18
E3243	61070105	50	16	13,32
E3243	61070106	65	16	14,42
E3243	61070107	80	16	19,28
E3243	61070108	100	16	22,56
E3243	61070109	125	16	30,76
E3243	61070110	150	16	49,46
E3243	61070160	200	10	80,7
E3243	61070111	200	16	107,5
E3243	61070161	250	10	74,8
E3243	61070112	250	16	74,8
E3243	61070162	300	10	107,5
E3243	61070113	300	16	107,5

#### Technical features

Nominal pressure	PN10/16
Fluids	Water
Operating temperature	0°C÷80°C
Design Standard	EN 1171, EN 1074-2
Face-to-face standard	EN 558-1 Series 14 (DIN 3202/F4)
Connection standard	EN 1092-2
Test standards	EN 12266-1
Test pressures	Hydraulic Shell: 15 bar (PN10) / 24 bar (PN16) Seat: 11 bar (PN10) / 18 bar (PN16)
CE Marking	No CE marking (Pressure Equipment Directive 2014/68/EU Art. 4.3)
Other certifications	WRAS, ACS



Pos.	Component	Materials
1	Body	Ductile iron
2	Disc	Ductile iron + EPDM
3	Bonnet Gasket	EPDM
4	Stem	SS420
5	U-Ring	NBR
6	Holding Ring	CuZn39Pb1
7	Handwheel	Ductile iron
8	Bolts	SS304
9	Washers	SS304
10	O-Ring	NBR
11	O-Ring	NBR
12	Thrust Nut	CuZn39Pb1
13	Thrust Washer	POM
14	Bonnet	Ductile iron
15	Stem Nut	CuZn39Pb1
16	Bolts	C45E/1045
17	Square cap	Ductile iron

## Application

The main function of **Series E3243** is to realize the on-off function of pipeline system. It can be used in plumbing, AC, irrigation, commercial and industrial applications, such as:

- Water Works
- Environmental Protection
- Public Facilities
- Building
- Paper industry

## Overall dimensions (mm)

### E3243

DN	PFA	L	H	D	K	n-Ød
40	16	140	260	150	110	4-Ø19
50	16	150	270	165	125	4-Ø19
65	16	170	310	185	145	4-Ø19
80	16	180	325	200	160	8-Ø19
100	16	190	365	220	180	8-Ø19
125	16	200	400	250	210	8-Ø19
150	16	210	460	285	240	8-Ø23
200	10	230	560	340	295	8-Ø23
200	16					12-Ø23
250	10	250	650	395	350	12-Ø23
250	16			405	355	12-Ø28
300	10	270	740	445	400	12-Ø23
300	16			460	410	12-Ø28

## Specification text

---

### **E3243 Series**

Resilient seated gate valve **E3243 Series** with flanged connection DN 40-300 for water. Inside screw, Superior stem packing with three O-rings, one primary O-ring seal and dust seal, High strength thrust collar, Epoxy Coating. Ductile Iron GGG50 body, sealing EPDM. Connections to EN1092-1 and face-to-face dimensions to EN 558-1 Series 14 (DIN 3202/F4). PN10 or PN16. Operating temperature range: from 0°C to 80°C. ACS and WRAS certifications.

---

The descriptions and photographs contained in this product specification sheet are supplied by way of information only and are not binding.

Watts Industries reserves the right to carry out any technical and design improvements to its products without prior notice. Warranty: All sales and contracts for sale are expressly conditioned on the buyer's assent to Watts terms and conditions found on its website at [www.watts.eu](http://www.watts.eu). Watts hereby objects to any term, different from or additional to Watts terms, contained in any buyer communication in any form, unless agreed to in a writing signed by an officer of Watts.

---



**Watts Industries Italia S.r.l.**

Via Brenno, 21 • 20853 Biassono (MB) • Italy  
Tel. +39 039 4986.1 • Fax +39 039 4986.222  
[infowattsitalia@wattswater.com](mailto:infowattsitalia@wattswater.com) • [www.watts.com](http://www.watts.com)