

HD206

Vacuum breakers

Technical Data Sheet



Description

Vacuum breakers are double protection valves, containing the following in the flow direction, one non-return valve. One vacuum breaker (water/air tightness ensured by a membrane). This vacuum breaker ensures that the downstream is emptied when the flow is stopped and prevents the backflow of used water through a possible leak in the non-return valve, in the event of depression in the mains. It doesn't allow any closing device downstream.

- Operating position : vertical ascending
- Minimum head loss; silent, robust
- Does not generate hammering
- Closing system : double axial guiding with release spring
- Excellent sealing at high as well as at low pressure ensured by a specially designed lip-ring seal



HD206

Vacuum breaker

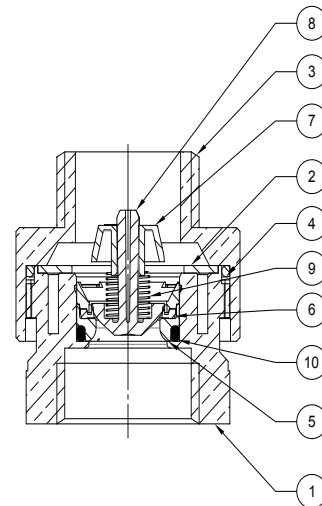
DN		Ref.	Weight Kg
F "	M "		
1/2	1/2	2220500S	0,10

Technical features

Operating temperature	-10 °C at 65 °C
Connection	Female/male
Mediums	Clear liquids

Nomenclature and materials

N°	Description	Materials
1	Body	EN12164-CW617N-DW-R360
2	Seal	NBR
3	Body	EN12164-CW617N-DW-R360
4	O'Ring	EPDM
5	Seat	Hostaform C13031 Natural
6	Seal	EPDM
7	Guide	Hostaform
8	Poppet	Hostaform
9	Spring	EN10270-3-X10CrNi18-8 (302)
10	O'Ring	EPDM



Approvals

ACS

International construction Standards :
Thread connection according to ISO 228-1

Application

Protection of drinking water networks.

Ensures disconnection between shower hoses (hand shower) and mixing faucets without continuous pressure. An end backflow preventer ensures true disconnection whenever there is a risk of siphoning.

Prevents polluted water from flowing back into the public network.

Can be installed wherever a drawing point is likely to be fitted with an immersion tube.

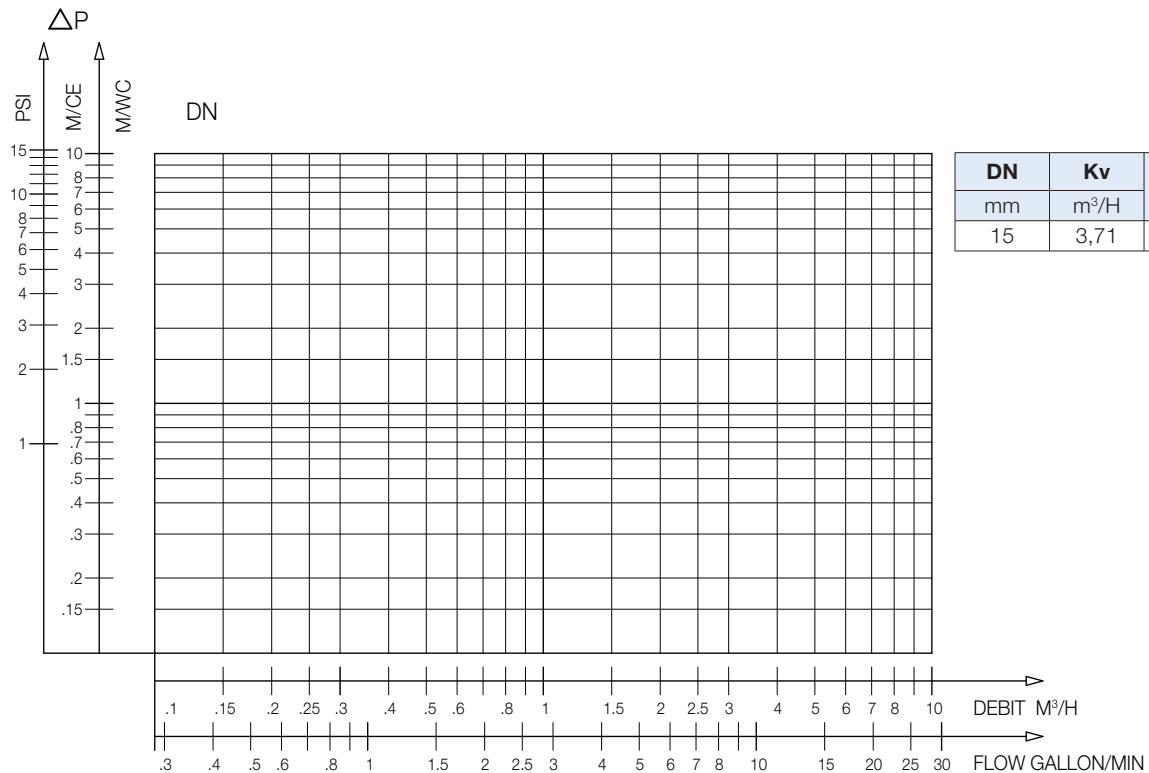
	Protection unit EN 1717	Fluid category					Product standard
		1	2	3	4	5	
	Controllable backflow preventer with reduced pressure zone	✓	✓	✓	✓	■	EN 12729
	Non-controllable backflow preventer with different pressure zones	✓	✓	✓	■	■	EN 14367
	Hose union backflow preventer	✓	✓	●	■	■	EN 14454
	Hose union anti-vacuum valve combined with a check valve	✓	✓	●	■	■	EN 15096
	In-line anti-vacuum valve	●	●	●	■	■	EN 14451
	Controllable anti-pollution check valve	✓	✓	■	■	■	EN 13959
	Non-controllable anti-pollution check valve	Only permitted for specific applications and protection of domestic water systems					EN 13959
	Controllable anti-pollution double check valve	●	●	■	■	■	EN 13959
	Non-controllable anti-pollution double check valve	Only permitted for specific applications and protection of domestic water systems					EN 13959

✓ : Covers the risk / ● : Covers the risk if p=atmosphère / ■ : Fails to cover the risk

Operation

Direction for use :

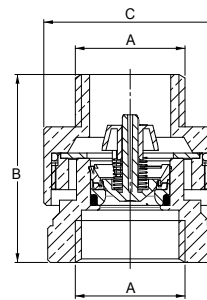
- Solid line: Valve completely open
- Dotted line: opening stage of valve



HD206 - Headloss chart

Sizing

DN	A	B	C
mm	"	mm	mm
15	1/2	36	33



HD206

The descriptions and photographs contained in this product specification sheet are supplied by way of information only and are not binding. Watts reserves the right to carry out any technical and design improvements to its products without prior notice. Warranty : All sales and contracts for sale are expressly conditioned on the buyer's assent to Watts terms and conditions found on its website at www.watts.com. Watts hereby objects to any term, different from or additional to Socla terms, contained in any buyer communication in any form, unless agreed to in a writing signed by an officer of Watts.



WATTS INDUSTRIES France

1590 avenue d'Orange • CS 10101 Sorgues 84275 VEDENE CEDEX • France
Tél. +33 (0)4 90 33 28 28 • Fax +33 (0)4 90 33 28 39
contact@wattswater.com • www.wattswater.fr