

BT-D03 HC FC (relay) Series

Wired digital room thermostat with integrated relay

WATTS Vision[®] System

Technical Data Sheet



Description

WATTS Vision® enables you to program and display the settings for each multi-zone heating and/or cooling system (up to 50 zones).

It is a wireless system that requires the use of WIRELESS DIGITAL ROOM THERMOSTAT BT-D03 HC FC (relay) Series to control the temperature of the individual rooms.

The WATTS Vision® system provide full remote control of the system using any browser from your PC or the dedicated smartphone app (for iOS and Android) by means of the system's WiFi connection.



VISION® WIRED BT-D03 HC FC (RELAY) SERIES

The Wired digital room thermostat with back-light LCD display is designed to control different types of heating and cooling systems. Temperature control is based on internal sensor.

Type	Part No.	Description
BT-D03 HC FC	P08063	WATTS Vision® Wired digital room thermostat with integrated relay

- Thermostat compatible with WATTS Vision® system
- LCD display with back-light
- 3 sensitive touch buttons
- Open window detection
- Different temperature modes setting
- Anti-freeze function
- Configurable Hysteresis or PWM regulation
- Keyboard locking and Pin code for public area
- Wall mounting
- 2 parameter menus User and Pro

Technical specifications	
Purpose of control	Thermostat
Construction of control	Electronic independently mounted control
Software class	Class A
Extension of sensing element	Temperature
Control pollution degree	2 - Normal household environment/ 3 (blower)
Temperature for ball pressure test	75°C
Ambient operating temperature	0°C to 50°C (32°F to 122°F)
Storing temperature	-20°C to 60°C (-4°F to 140°F)
Temperature accuracy	0.1°C
Regulation type	Proportional Band (PWM 2°C/10min) or Hysteresis 0.2°C to 3.0°C
Temperature ranges: Comfort / Reduced / Anti-freeze	5 to 37°C / 5 to 37°C / 0.5 to 10°C / (increments of 0.5°C)
Power supply / operating life	2 AAA LR03 1.5V Alkaline, Life ~2 years
Sensing element	Internal: NTC 10kΩ at 25°C
IP rating	IP20
Protection class	Class II
Firmware version	Shown on thermostat menu #11
Memory	Non-volatile EEPROM
Directives	2014/35/EU, 2014/30/EU, 2011/65/EU, 2012/19/EU, 2015/1188/EU

Specification text

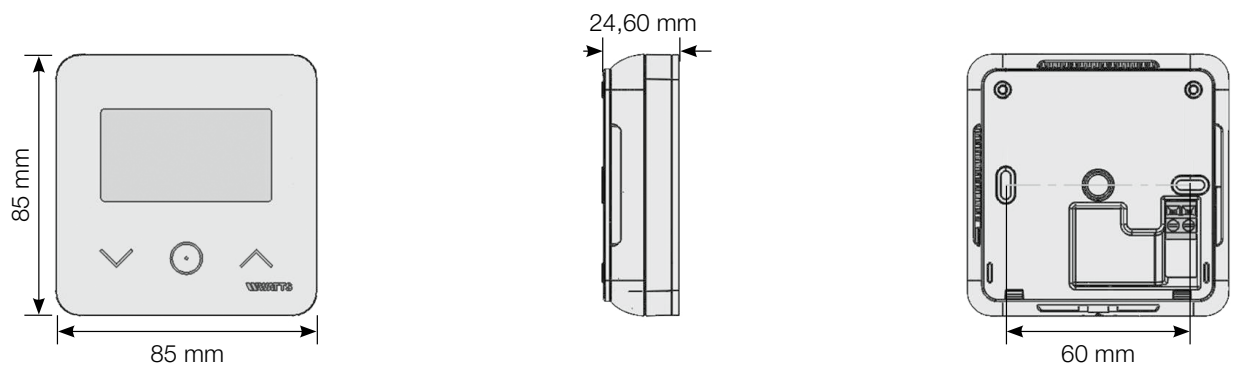
The WATTS Vision® controls multi-zone heating and/or cooling system (up to 50 zones) with full remote control from your PC or the dedicated smartphone app.

The BT-D03 HC FC Series Wired digital room thermostat with integrated relay back-light LCD display is designed to control the temperature of the individual rooms.

Pin Code. Wall mounting. Power supply 2 AAA LR03 1.5V (included).

Compliant with: 2014/35/EU, 2014/30/EU, 2011/65/EU, 2012/19/EU, 2015/1188/EU.

Overall dimensions (mm)





« The descriptions and photographs contained in this product specification sheet are supplied by way of information only and are not binding.

Watts Industries reserves the right to carry out any technical and design improvements to its products without prior notice. Warranty: All sales and contracts for sale are expressly conditioned on the buyer's assent to Watts terms and conditions found on its website at www.wattswater.co.uk - Watts hereby objects to any term, different from or additional to Watts terms, contained in any buyer communication in any form, unless agreed to in a writing signed by an officer of Watts. »



WATTS INDUSTRIES France

1590 avenue d'Orange • CS 10101 Sorgues 84275 VEDENE CEDEX • FRANCE

Tél. +33 (0)4 90 33 28 28 • Fax +33 (0)4 90 33 28 29/39

contact@wattswater.com • www.wattswater.fr