

WFC-03 Series

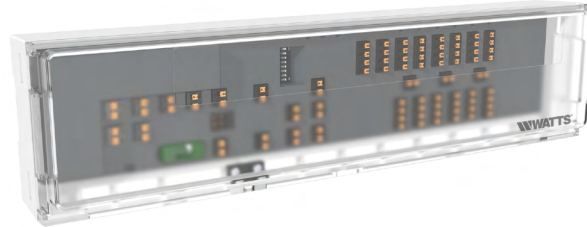
Floor heating regulator - Vision® Wired

Technical Data Sheet



Description

Vision® Wired enables temperature control of individual rooms in heating and/or cooling systems. It is a Wired system that requires the use of a wired room thermostat to control the temperature of individual rooms through remote contacts.



VISION® WIRED WFC-03 SERIE

The WFC-03 Heating and Cooling Floor Controllers connect all components of the Vision® Wired system and effectively control the actuators.

The DIN rail attachment and tool-less connectors provide quick and easy installation.

The HEAT range can be used for 24V or 230V installations to reduce the reference number.

The Heat+ and Heat&Cool ranges have outputs to drive different equipment and optimize comfort.

Range	Type	Reference	Description
HEAT	WFC-03 6Z 24-230	P08278	24V/230V 6-zone Heat Floor Heater Wired Controller
	WFC-03 8Z 24-230	P08279	24V/230V 8-zone Heat Floor Heater Wired Controller
HEAT+	WFC-03 6Z H+ 24	P08280	24V floor heater 6 zone Heat+ wired controller
	WFC-03 6Z H+ 230	P08282	Wired 230V floor heating controller 6 zones Heat+
	WFC-03 8Z H+ 24	P08281	24V floor heater 8 zone Heat+ wired controller
	WFC-03 8Z H+ 230	P08283	230V floor heater 8 zone Heat+ wired controller
	WFC-03 10Z H+ 24	P08284	24V floor heater 10 zone Heat+ wired controller
	WFC-03 10Z H+ 230	P08285	Wired 230V floor heating controller 10 zones Heat+
HEAT&COOL	WFC-03 6Z HC 24	P08286	24V wired floor heating controller 6 zones Heat&Cool
	WFC-03 6Z HC 230	P08287	Wired 230V floor heating controller 6 zones Heat&Cool
	WFC-03 8Z HC 24	P08288	24V wired floor heating controller 8 zones Heat&Cool
	WFC-03 8Z HC 230	P08289	Wired 230V floor heating controller 8 zones Heat&Cool
HEAT+ or H&C 230V actuators, 24V thermostats	WFC-03 6Z H+ 230 24V TH	P08700	Wired 230V floor heating controller 6 zones Heat+ 24V thermostats (embedded transformer)
	WFC-03 6Z HC 230 24V TH	P08699	Wired 230V floor heating controller 6 zones Heat&Cool 24V thermostats (embedded transformer)
	WFC-03 6Z EXT 230 24V TH	P08701	Wired 230V floor heating 6 zones Heat&Cool extension module 24V thermostats
230V/24V transformers	TRF03 230/24 PLG	P08334	230V/24V transformer with socket for HEAT controller
	TRF03 230/24	P08277	230V/24V transformer for HEAT+ and HEAT&COOL controller

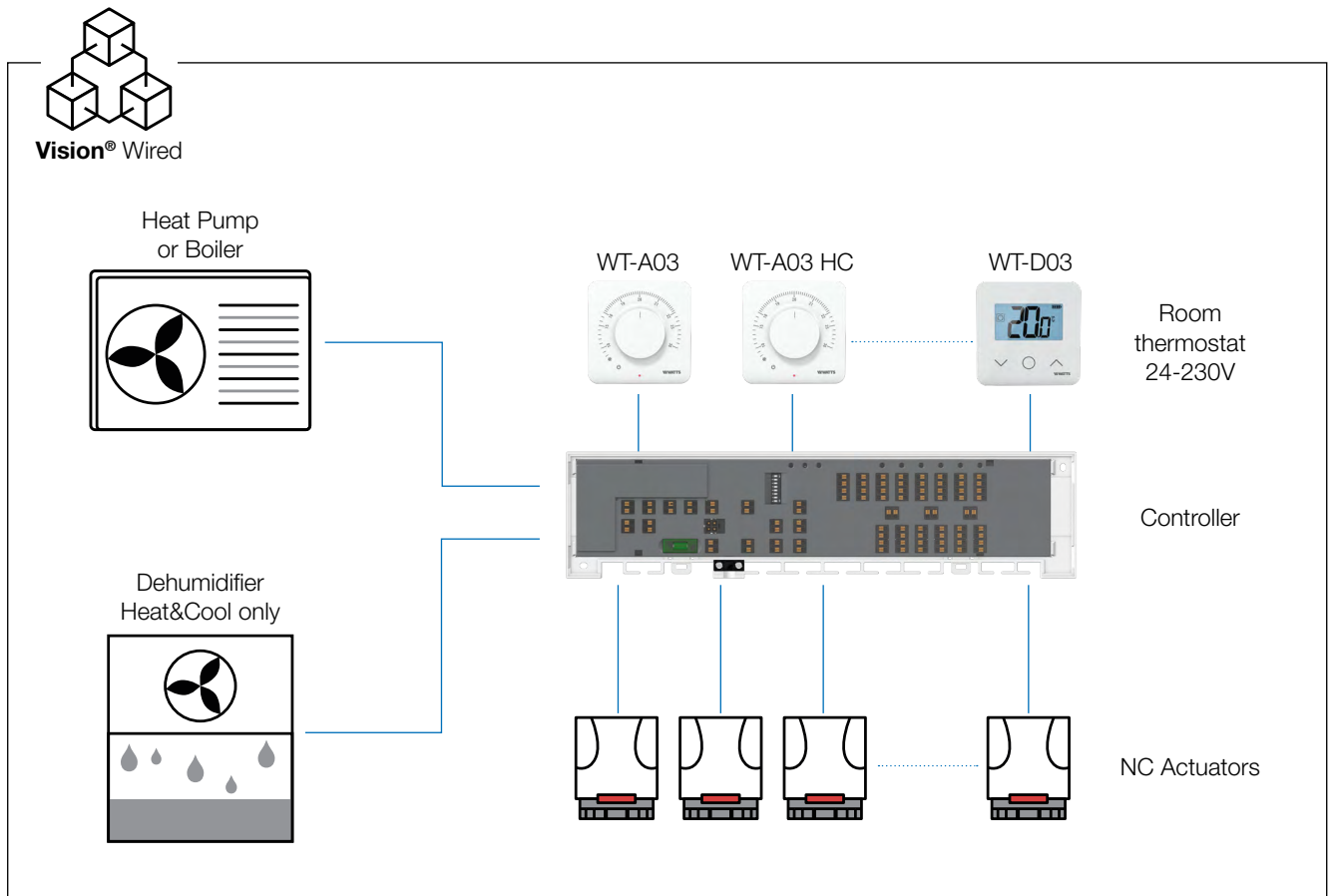
- Din rail mounting*
- Connectors without tools
- 24V transformer for 24V controller (in option)
- Configuration by DIP Switch*
- Anti-grip function*

- Dehumidification outlet*
- Controller compatible with thermostats WT-D03 HC, WT-A03 HC, WT-A03 and WT-DP03 HC

* for the Heat&Cool range

Technical characteristics	
Operating temperature	0 to 40°C
Shipping and storage temperature	-10°C to +50°C
IP protection rating	IP30
Protection class	Class II
Feeding	230 Vac \pm 10% 50Hz - Transformer required for 24V: - P08334 transformer for Heat controllers, - P08277 transformer for Heat+ and H&C controllers. (P08699 and P08700 embed a transformer for 24V thermostat power supply)
Actuators	230V/24V depending on NC/NO versions up to 2.5W
Standards	2014/35/EU, 2014/30/EU, 2011/65/EU, 2012/19/EU, 2015/1188/EU

Vision® Wired System



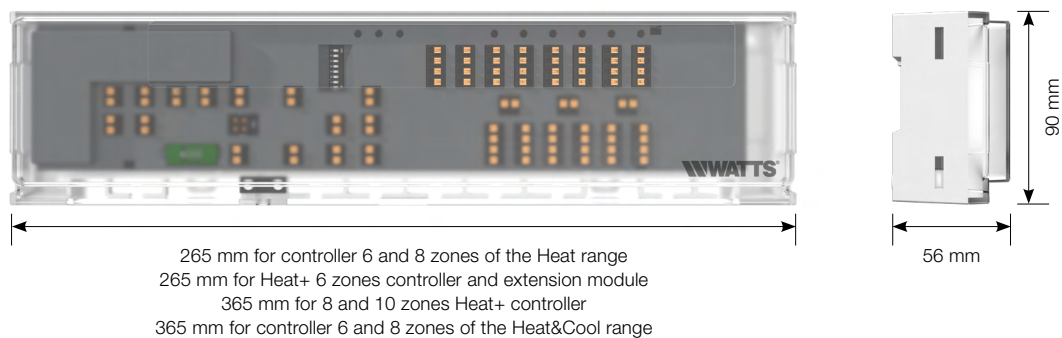
Specification text

Floor controller heating and cooling wired. Controls 22CX actuators from Vision® Wired series thermostats. Actuators are connected by means of connectors without tools.

Compliant with:

2014/35/EU - 2014/30/EU - 2014/53/EU - 2011/65/EU - 2012/19/EU - 2015/1188/EU.

Overall dimensions (mm)





The descriptions and photographs contained in this product specification sheet are supplied by way of information only and are not binding.

Watts Industries reserves the right to carry out any technical and design improvements to its products without prior notice.

Warranty: All sales and contracts for sale are expressly conditioned on the buyer's assent to Watts terms and conditions found on its website at watts.eu.

Watts hereby objects to any term, different from or additional to Watts terms, contained in any buyer communication in any form, unless agreed to in a writing signed by an officer of Watts.



Watts Electronics S.A.S.

B.P. N°10 - Z.A. des Tourettes • 43800 ROSIERES • France

Tél. +33 (0)4 71 57 40 49 • Fax. +33 (0)4 71 57 40 90

Sales-rosieres@wattswater.com • www.watts.eu