

Backflow Preventer Test Kit

Control equipment

Technical Data Sheet



Description

Compact, practical and light. Equipped with two upstream and downstream manometers and a pressure gauge for differential pressure measurement. The WATTS Testing kit comes with inspection and maintenance procedure under plastic protective film. Also included: hanging strap and brass reductions for connection to all BA type backflow preventers. The unit is supplied with a rugged carrying case for easy handling and accessibility. Mandatory control of the equipment every 2 years.



BACKFLOW PREVENTER TEST KIT

Control equipment

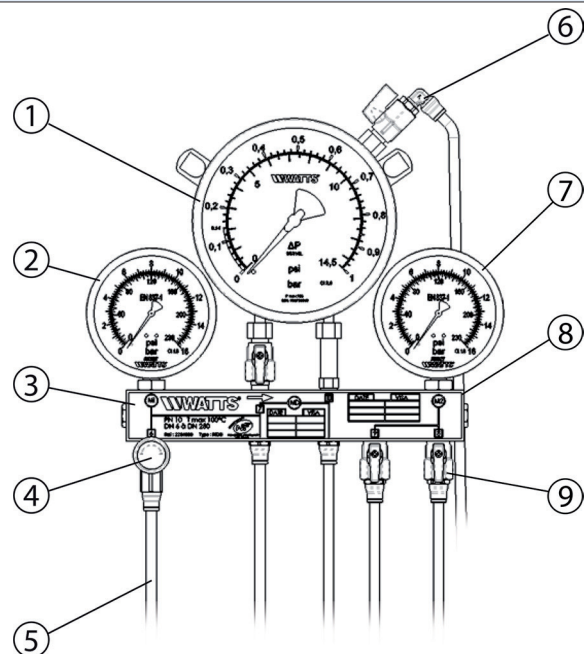
Ref.	DN	Description	Weight Kg
2234900M2	6 up to 250	Test kit	6,4

Technical features

Nominal pressure	10 bar / 145 psi
Maximum temperature	100°C
Gauge accuracy upstream and downstream	± 1.6%
Differential manometer accuracy	± 2%
Pressure range of pressure gauge downstream and downstream	0 up to 16 bar / 0 up to 232 psi
Graduations	Bar / psi
Scale	1 graduation = 0.2 bar

Nomenclature and materials

N°	Description	Materials
1	Differential pressure gauge (MD)	Stainless steel
2	Pressure gauge upstream (M1)	Internal elements in stainless steel and brass connection
3	Sticker	
4	Needle valve	Nickel plated brass
5	Wire	Polyurethane
6	Quick coupler	Nickel plated brass
7	Pressure gauge downstream (M2)	Internal elements in stainless steel and brass connection
8	Body	Aluminium
9	Valve	Brass
-	Plug	Nickel plated brass
-	Stem	Brass



Approvals



International construction Standards :

NF P 43-018
Regulation NF-045

Maintenance

The Test Kit for backflow preventers must be kept in good working order. This device, which is the subject of NF ANTIPOLLUTION certification, is an on-site inspection device for backflow preventers with controllable reduced pressure zones. It must be checked and recalibrated every two years by an approved laboratory.

Our after-sales services provides the following services :

- Repair of failed components
- Tests of sealing
- Control manometers
- Establishment of inspection report
- Quotation

For all inquiries, please contact our sales department.



Procedure

The BA Controllable Reduced Pressure Zone backflow preventer is subject to mandatory annual maintenance. A BA backflow preventer maintenance sheet is provided with the test case.

This "maintenance sheet" must be completed by a qualified technician.

To prevent any deterioration of the pressure gauges, open the valves slowly.

Application

The Test Kit for backflow preventer allows the control of a wide range of sanitary protection sets type BA ranging from DN 6 up to DN 250. Materials in contact with potable water are food grade and stainless.

This case is equipped with quick couplings for easy connection and easy use.

The glycerine included in the upstream and downstream manometers protect the device from any water hammer and allows a progressive reading of the values.

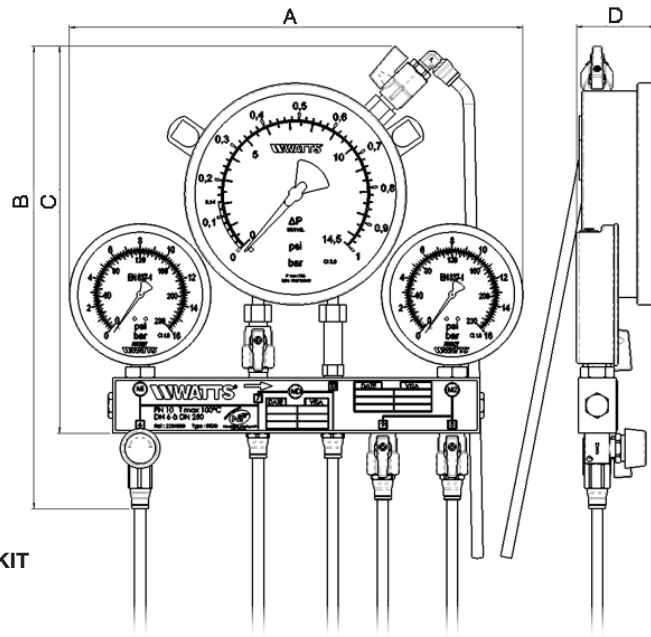
A zone for reading range of the differential pressure gauge from 0 to 0.14 bar is identified by the red color.

The hoses have excellent flexibility and can be rolled up in the case.

Quick couplings have excellent resistance to high pressures, abrasion and corrosion.

Sizing

A	B	C	D
mm	mm	mm	mm
327	333	279	57



BACKFLOW PREVENTER TEST KIT

The descriptions and photographs contained in this product specification sheet are supplied by way of information only and are not binding. Watts reserves the right to carry out any technical and design improvements to its products without prior notice. Warranty : All sales and contracts for sale are expressly conditioned on the buyer's assent to Watts terms and conditions found on its website at www.watts.com. Watts hereby objects to any term, different from or additional to Socla terms, contained in any buyer communication in any form, unless agreed to in a writing signed by an officer of Watts.

WATTS®

Watts Industries France S.A.S

1590 avenue d'orange • 84275 Vedène • France
 Tel. +33 (0)4 90 33 28 28 • Fax +33 (0)4 90 33 28 39
info@wattsindustries.com • www.wattswater.co.uk