

WACOPUMP2 Series

Electronic pump control unit

Technical Data Sheet



Description

The electronic unit of the **WACOPUMP2 Series** controls start and stop of the pump when any tap or valve of the system is opened or closed. When the pump is started, it remains running as long as there is demand by the user thus supplying the water main at constant flow rate and pressure rate.



WACOPUMP2

Electronic pump control unit. It controls start and stop of the pump when any tap or valve of the installation is opened or closed. When the pump is started, it remains running for as long as any connected tap remains open, thus supplying the water main with constant flow rate and pressure. It is provided with a special check valve (to protect against risk of water hammer) and pressure gauge with scale 0-10 bar.

Type	Part No.	Power supply	Weight (g)
WACOPUMP2	0605226	220/240 Vac	719

Technical features

Power supply	220/240 Vac
Max. current drawn	10 (6) A
Frequency	50/60Hz
Protection degree	IP 65
Maximum water temperature	60 °C
Maximum flow rate	10,000 litres/h
Starting pressure	1.5 to 2.5 bar
Maximum operating pressure	10 bar
Maximum pump power rating	1.5 HP (1100 W)

Design features

Body	Plastic
Diaphragm	Natural rubber
Spring	Tropicalized steel
Seals	Nitrile
Inlet/outlet connections	1" male
Manual start push button	RESET
Power on LED	POWER
Pump on LED	ON
LED, safety system tripped	FAILURE

Application

The electronic unit **WACOPUMP2 Series** is a device designed for controlling and protecting pumps in plumbing installations or systems for the garden, irrigation, sports facilities or water reclaiming for users exceeding 10m and less than 20m (see table). The electronic unit allows:

- Starting the pump with minimum difference in water pressure (opening of a tap), thus avoiding continuous switching on/ stopping of the pump.
- Automatic stopping of the pump after using the water (closing of tap)
- Protecting the electric pump against water supply failure: pump stops after 8 seconds of operation
- Protecting the system against risk of water hammer thanks to the built-in check valve
- Easy reading of water pressure sent to the user thanks to the pressure gauge provided.

Operation

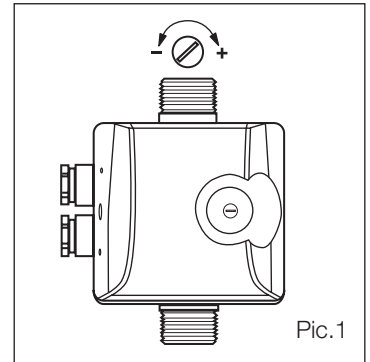
WACOPUMP2 Series automatically switches on the pump of the system as soon as any user tap is opened. The pump remains running thus supplying a flow of water to the water main as long as any connected tap is left open.

Adjustment

Starting pressure is set by means of relative screw at the back of WACOPUMP2 (Pic.1):
Read the pressure indicated on the pressure gauge when switching on, then turn the screw of the electronic unit in the required direction to increase (+) or decrease (-) the pump starting pressure.

This system only adjusts the starting pressure and does not have effect on the operating pressure of the installation; such pressure depends solely on the pump characteristics.

* These heights refer to the distance between the unit and highest point of use.
For greater heights, install the unit at the required height regardless of the pump



* SERVICE HEIGHT	STARTING PRESSURE	MINIMUM PUMP PRESSURE
10 m	1,5 bar	2,5 bar
15 m	1,8 bar	3 bar
20 m	2,3 bar	4 bar

Installation

Before proceeding to make the water connections of WACOPUMP2 make sure that the pump is properly primed. Install the electronic unit in vertical position. Connect the 1" male threaded inlet directly to the pump outlet and the 1" male outlet to the water main. Do not install check valves at the outlet.

Accessories recommended but not essential :

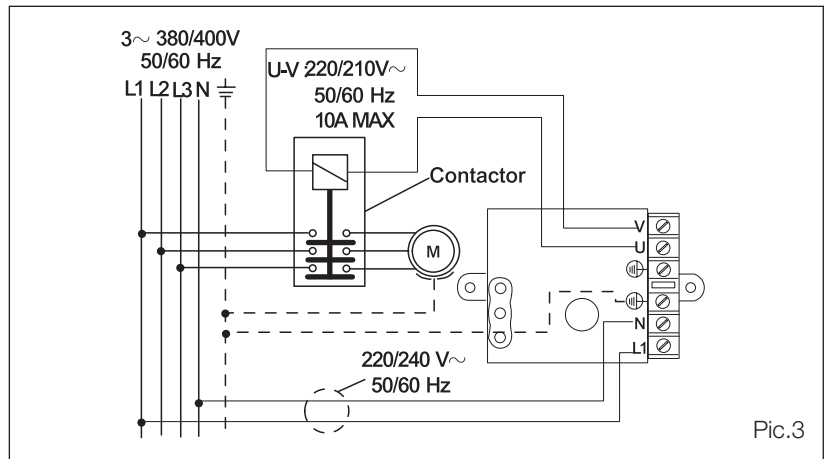
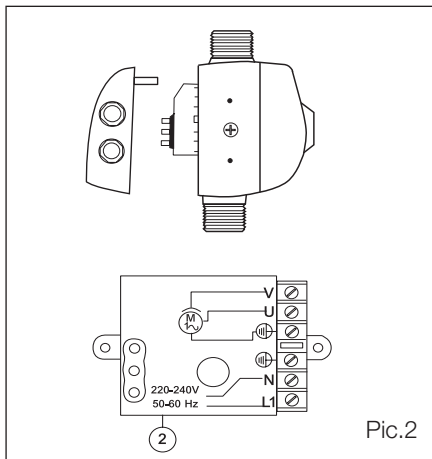
- Flexible hose with removable fitting for connections to the water main in order to protect the electronic unit from any stress or vibrations
- Ball check valve to shut off the pump from the water main.

WACOPUMP2 Series is provided with a pressure gauge which should be installed on the side drilled with 3 holes:

The larger central hole is where to insert the pressure gauge stem while the two other smaller holes serve for fastening the pressure gauge with the screws provided.

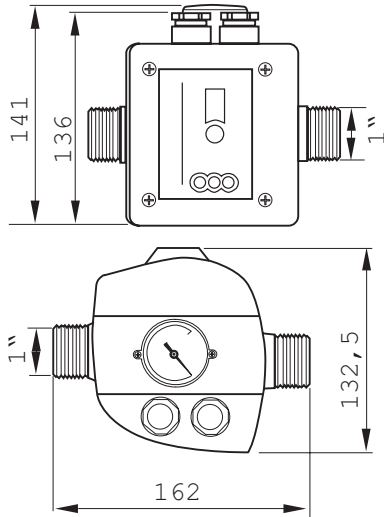
To make the electric connections, proceed to remove the cover from WACOPUMP2 and follow the wiring diagram show in Pic.2.

The electronic unit can be used for single phase or three phase pumps drawing currents greater than 10A by using an auxiliary relay (minimum capacity 4 kW or 5.5 HP coil 220V). See diagram in Pic.3.



Overall dimensions (mm)

WACOPUMP2



Specification text

WACOPUMP2 Series - Electronic pump control unit WACOPUMP2 Series – WATTS brand. It controls start and stop of the pump when any tap or valve of the installation is opened or closed. When the pump is started, it remains running for as long as any connected tap remains open, thus supplying the water main with constant flow rate and pressure. It is provided with a special check valve to protect against risk of water hammer and pressure gauge with scale 0-10 bar. Supply voltage: 220/240 V. Maximum current: 10 (6) A. Frequency: 50/60 Hz. Protection degree: IP65. Maximum temperature of water: 60 °C. Maximum flow rate: 10,000 l/h. PN10 bar. Restart pressure: 1.5÷2.5 bar. Power maximum pump: 1.5CV (1100 W). Input-output connection: 1”M.

The descriptions and photographs contained in this product specification sheet are supplied by way of information only and are not binding.

Watts Industries reserves the right to carry out any technical and design improvements to its products without prior notice. Warranty: All sales and contracts for sale are expressly conditioned on the buyer's assent to Watts terms and conditions found on its website at www.wattswater.eu. Watts hereby objects to any term, different from or additional to Watts terms, contained in any buyer communication in any form, unless agreed to in a writing signed by an officer of Watts.

WATTS[®]

Watts Industries Italia S.r.l.

Via Brenno, 21 • 20853 Biassono (MB) • Italy
Tel. +39 039 4986.1 • Fax +39 039 4986.222
infowattsit@wattswater.com • www.watts.com