

# PRECISIO

Pressure reducing valve

## Technical Data Sheet



## Description

The pressure reducing valve PRECISIO has a simple operating, high performances and a reliability that became references in the field. Allows water economy, acoustic comfort and normalised flow. PRECISIO is interchangeable with most market appliances.

- Maximum practicality : 2 reversible connectors with free nuts
- 16 possible connectors WITH free nuts
- Standard NF approved (multi\_threaded version DN 15-DN 20)
- Stainless steel seat and corrosion resistant brass body (DZR Brass)
- Available with high resistance cover composite or all brass version
- Can be fitted in any position
- Does not need any maintenance, it is precise and constant
- Resistant to scale and impurities



## PRECISIO

Pressure reducing valve

DN		Connection	PFA in bar	PS in bar L1	Ref.	Weight Kg
"	mm					
3/4	20	Female / Female	25	25	<b>2286300</b>	0,658
3/4 & 1/2	20 & 15	Multi-threaded (+ 2 connectors)	25	25	<b>2286315</b>	-
3/4*	20	Female / Female	25	25	<b>2286200</b>	0,877
3/4 & 1/2*	20 & 15	Multi-threaded (+ 2 connectors)	25	25	<b>2286216</b>	1,081

\*Brass version

### Important notice :

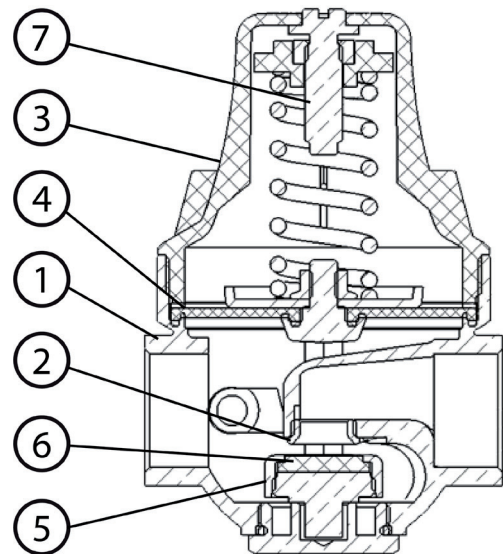
The temperature and pressure indications given are under no circumstances a guarantee that they are suitable for your system. Therefore, it is essential to validate the use of the products under given operating conditions with our technical department.

### Technical features

Operating temperature	Maxi. : 80°C
Permissible operating pressure (PFA) in water	25 bar
Gauge connection	2 female 1/4" pressure gauges outlet on each sides
Setting range	1.5 to 5 bar. Factory preset (4 bar at zero discharge for 3 bar working)
Mediums	Drinking water

### Nomenclature and materials

N°	Description	Materials	EURO
1	Body	Moulded brass DZR	CB770S
2	Seat	Stainless steel	1-4305 AISI
3	Cover	PA	PA6.6
		Hat-stamped-brass	CW617N - 4MS
4	Membrane	EPDM	EPDM80SH
5	Caliper	Cast brass	CW617N - 4MS
6	Valve	NBR	NBR80
7	Setting screw	Turned-in-the-lather	CW617N - 4MS



## Approvals

---

**ACS** 

**International Construction Standards :**  
NF EN 1567

## Application

---

Particularly adapted to individual or collective water installation and industrial water system. PRECISIO bring comfort by lowering the noise of water circulation and respecting acoustic norms.

Factory preset at 3 bar, it protects the whole installation, facilitates the adjustment of mixers and moderators, and decreases the hammering and helps to avoid cracks and vibrations in the piping.

Thanks to its weak losses of flow, it helps to obtain normal flow during simultaneous pumping.

## Installation

---

They are generally fitted to the inlet of the water circuit but they can be fitted wherever a reducing pressure is needed. PRECISIO multi-threaded (composite or brass cover) is issued with 2 reversible multi-threaded connectors with free nuts and present 16 possible connections.

Is easier to fit, it is direct assembly below meter by free nut F 3/4".

It can be fitted in any positions (horizontal, upright, upside down...) if you respect the direction of flow as indicated by the arrow engrave on the body.

However if the circuit present a risk of back pressure or hammering we recommend to protect the pressure reducing valve with a check valve directly after its output.

## Operation

---

### **Flow :**

During water flow, water pressure exercised on the diaphragm decreases, which allows the spring to relax. The piston disc-yoke assembly moves towards the bottom to allow the water to pass.

### **Flow stoppage :**

When water flow stops, the downstream pressure pushes on the diaphragm again, the spring goes back to its initial position, which leads to the valve closing, stopping water from flowing freely.

## Setting

---

The adjustment must be done without flow ie no downstream outflow. The PRECISIO pressure reducing valves is factory preset at 3 bar.

They remain adjustable within a 1,5 bar to 5.5 bar range.

To increase the pressure, tighten the adjusting screw (clockwise as you look at the screw from above). To reduce the pressure, undo the adjusting screw (anticlockwise as you look at the screw from above), slightly open a tap for a moment, close again, then tighten the screw again until you obtain a desired pressure.

Max. upstream pressure : 25 bar.

## Maintenance

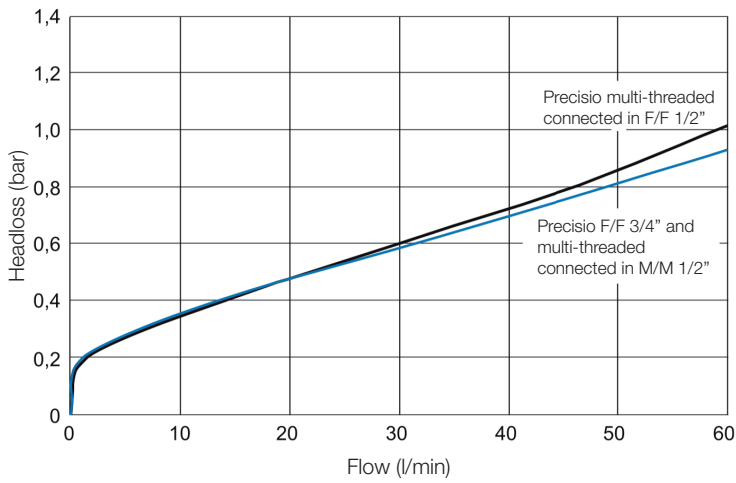
---

Due to the design, the PRECISIO pressure reducing valves is not affected by scale or dirt and does not need any maintenance if is by a professional.

Diaphragm, spring, seat, valve are largely dimensioned to allow precise and constant adjustment all allowing a high flow.

# Operating characteristics

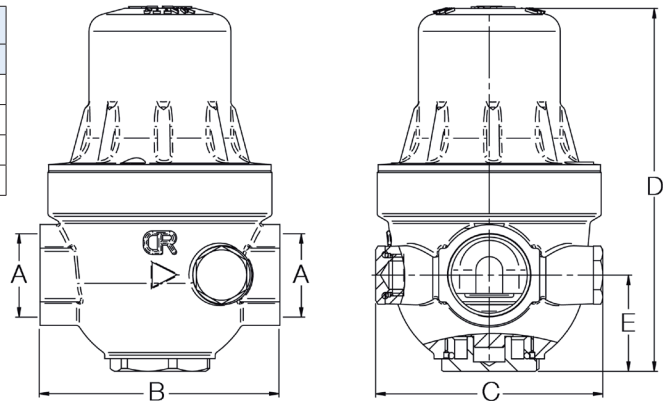
**PRECISIO** - Headloss chart



# Sizing

Connection	A	B	C	D	D
	"	mm	mm	mm	mm
F / F	3/4	76	74	115	30,5
Multi-threaded (+ 2 connectors)	3/4 & 1/2	100	74	115	30,5
F / F	3/4*	76	72	115	30,5
Multi-threaded (+ 2 connectors)	3/4 & 1/2*	100	72	115	30,5

\*Brass version



The descriptions and photographs contained in this product specification sheet are supplied by way of information only and are not binding. Watts reserves the right to carry out any technical and design improvements to its products without prior notice. Warranty : All sales and contracts for sale are expressly conditioned on the buyer's assent to Watts terms and conditions found on its website at [www.watts.com](http://www.watts.com). Watts hereby objects to any term, different from or additional to Socla terms, contained in any buyer communication in any form, unless agreed to in a writing signed by an officer of Watts.



**WATTS INDUSTRIES France**

1590 avenue d'Orange • CS 10101 Sorgues 84275 VEDENE CEDEX • France  
 Tel. +33 (0)4 90 33 28 28 • Fax +33 (0)4 90 33 28 39  
[contact@wattswater.com](mailto:contact@wattswater.com) • [www.wattswater.eu](http://www.wattswater.eu)