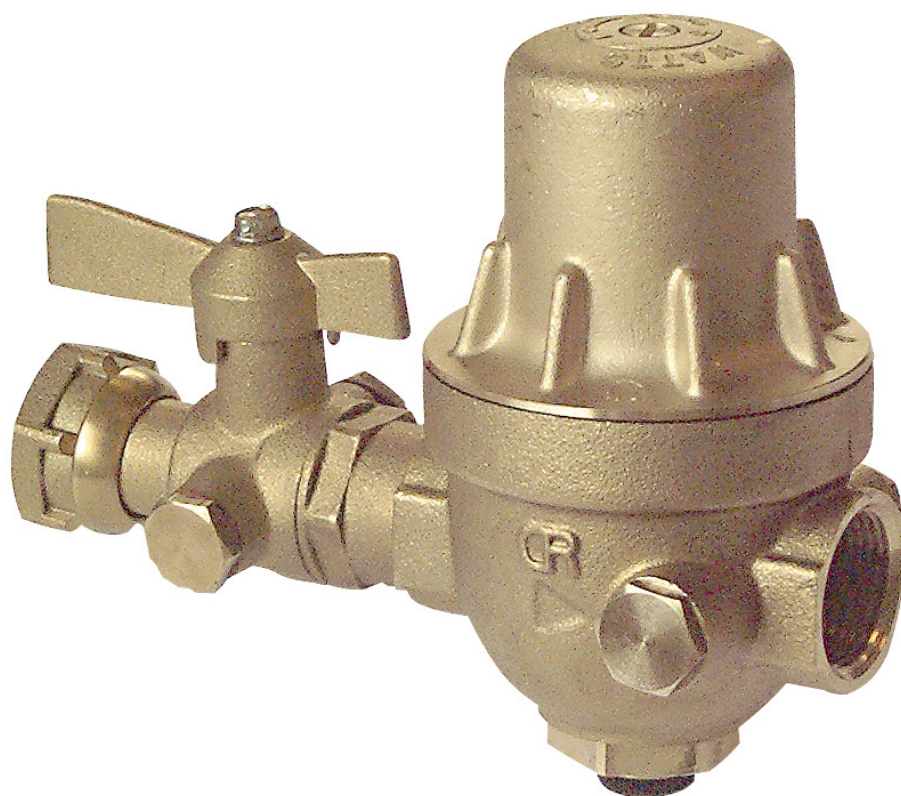


HYDROBLOC

Antipollution supply system

Technical Data Sheet



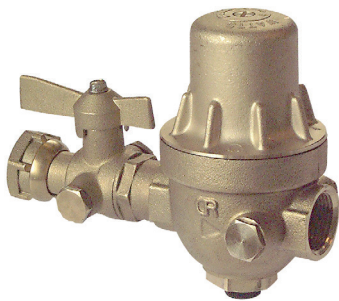
Description

HYDROBLOC is a cold water supply unit incorporating 5 functions :

- 1 - Direct assembly below meter by free nut
- 2 - Isolating valve built into spherical brass valve
- 3 - EB insert check valve NF certified. The non-return function is controlable thanks to a drain at the upstream of the check valve
- 4 - Drain device for bleeding the downstream installation
- 5 - NF pressure reducing valve with yoke and diaphragm and 2 pressure taps either side of the device for pressure gauge F 1/4"

Has many advantages :

- Easy mounting
- Simple construction ensuring reliability and longevity
- 3 times less time to install
- Factory preset



HYDROBLOC

Antipollution supply system

DN " mm	Connection	PFA in bar	PS in bar L1	Réf.	Weight Kg
3/4	Female free nut / Female	16	16	2284050	1,245

Important notice :

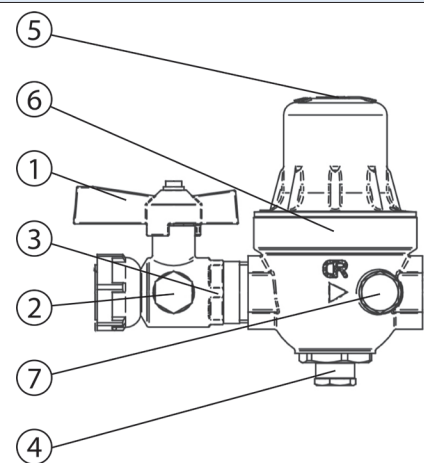
The temperature and pressure indications given are under no circumstances a guarantee that they are suitable for your system. Therefore, it is essential to validate the use of the products under given operating conditions with our technical department.

Caractéristiques techniques

Operating temperature	Maxi. : 80°C
Permissible operating pressure (PFA) in water	16 bar
Gauge connection	2 female 1/4" pressure gauges outlet on each sides
Setting range	1,5 to 5 bar. Factory pre-set at 3 bar
Mediums	Drinking water

Nomenclature and materials

N°	Description	Materials	EURO
1	1/4 turn application with ball valve		
2	Check valve test bore		
3	Antipollution chack valve		Hostaform C13031
4	Drainage system (hexagonal plug)	Brass	CW614N
5	Pressure setting screw	Brass turned-in-the-lather	CuZn40Pb3
6	Pressure reducing check valve	Moulded brass	CuZn35As
7	Gauge connection	Brass	CW614N



Approvals

ACS, (EB type incorporated checkvalve NF certified, pressure reducing valves Precisio type, NF certified)

Application

HYDROBLOC is a device destined for cold (or hot) water supply for apartments, individual homes, hotel rooms, bathrooms or kitchen. It is fitted at the water circuit inlet, it and thus protect the whole installation from overpressure problems : noise in pipes, hammering, splashes, premature wear of any household appliances and plumbing.

The pressure reducing valve is completely automatic

The cold water or hot water supply unit HYDROBLOC incorporating 5 functions :

- Direct assembly below meter by free nut
- Isolating valve built into spherical brass valve
- Testable check valve approved by NF
- Drain device for bleeding the downstream installation
- Pressure reducing valve with yoke and diaphragm with 2 pressure taps either side of the device

Installation

HYDROBLOC works in horizontal and vertical positions (rising fluid) but we recommend an assembling with an upwards setting screw in order to avoid the deposit of impurities. The pressure reducing valve protects the installation against upstream excessive pressure, the check valve ensures the sanitary conformity of the connections. Completely mounted, ready for use. It is fitted directly after the water meter, with its union free.

Operation

Flow :

During water flow, water pressure exercised on the diaphragm decreases, which allows the spring to relax. The piston disc-yoke assembly moves towards the bottom to allow the water to pass.

Flow stoppage :

When water flow stops, the downstream pressure pushes on the diaphragm again, the spring goes back to its initial position, which leads to the valve closing, stopping water from flowing freely.

Setting

The adjustment must be done without flow ie no downstream outflow. The HYDROBLOC pressure reducing valves is factory pre-set at 3 bar.

They remain adjustable within a 1,5 bar to 5,5 bar range.

To increase the pressure, tighten the adjusting screw (clockwise as you look at the screw from above). To reduce the pressure, undo the adjusting screw (anticlockwise as you look at the screw from above), slightly open a tap for a moment, close again, then tighten the screw again until you obtain a desired pressure.

Max. upstream pressure : 16 bar.

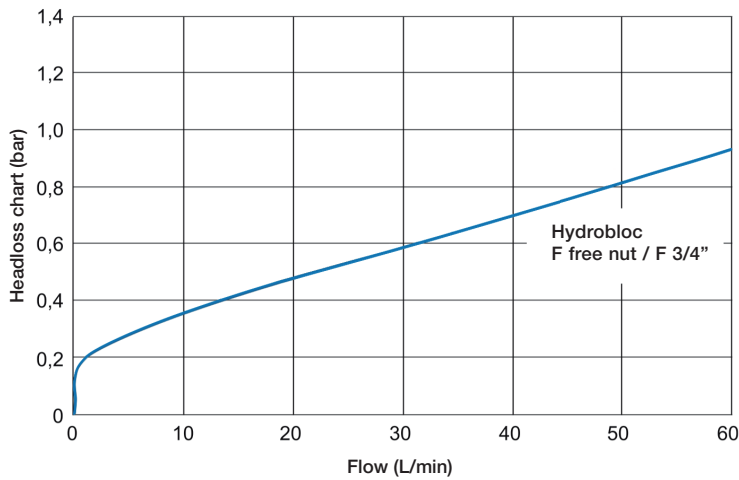
Maintenance

Due to the design, the HYDROBLOC pressure reducing valve is not affected by scale or dirt and does not need any maintenance if is by a professional.

Diaphragm, spring, seat, valve are largely dimensioned to allow precise and constant adjustment all allowing a high flow.

Operating characteristics

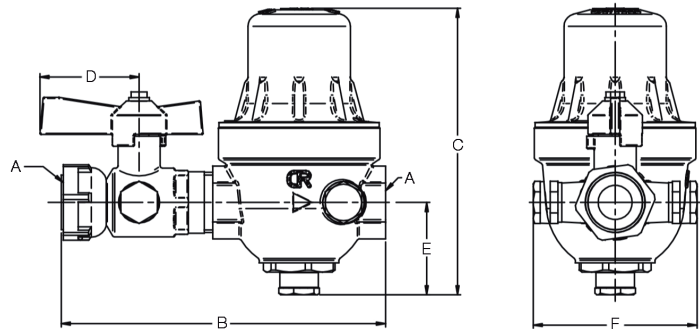
HYDROBLOC - Headloss chart



Sizing

Connection	A	B	C	D	E	F
	DN	mm	mm	mm	mm	mm
F free nut / F	3/4	143*	126*	44*	40	72*

*Values can vary



The descriptions and photographs contained in this product specification sheet are supplied by way of information only and are not binding. Watts reserves the right to carry out any technical and design improvements to its products without prior notice. Warranty : All sales and contracts for sale are expressly conditioned on the buyer's assent to Watts terms and conditions found on its website at www.watts.com. Watts hereby objects to any term, different from or additional to Socla terms, contained in any buyer communication in any form, unless agreed to in a writing signed by an officer of Watts.



WATTS INDUSTRIES France

1590 avenue d'Orange • CS 10101 Sorgues 84275 VEDENE CEDEX • France

Tel. +33 (0)4 90 33 28 28 • Fax +33 (0)4 90 33 28 39

contact@wattswater.com • www.wattswater.eu