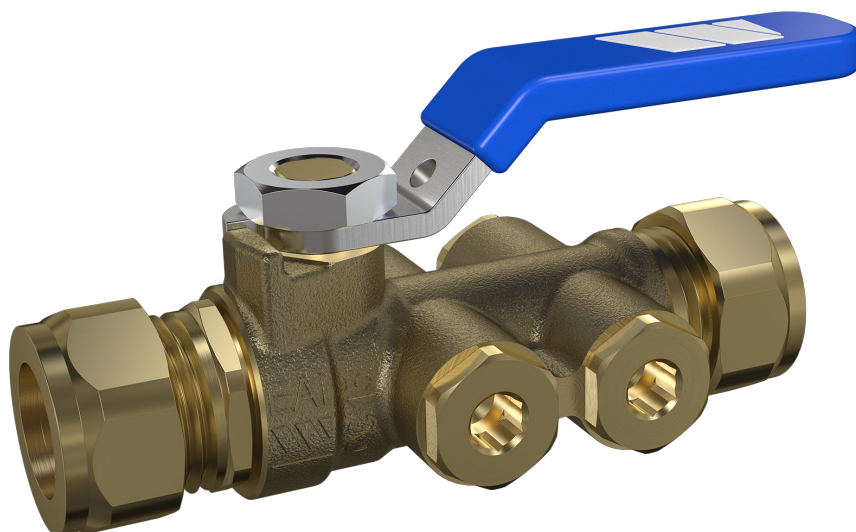


# Basic CC

Protection set EA type

## Technical Data Sheet



## Description

The Basic CC is an EA type protection set assembly in accordance with standard EN 1717. It is composed of a ball valve on the upstream side, a non-return valve on the downstream side and four plugged bosses on which drain or/and pressure gauge can be installed.

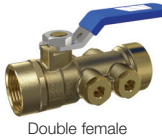
DN 15,20 and 25 it is able to seal the valves in open or closed position through a means located on the handle.

## BASIC CC

EA type protection set



Compression fitting



Double female



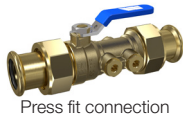
Double male



Swivel nut-Male



Male-Swivel



Press fit connection



Double femelle



Double male

DN 32 to 50 mm  
equipped with  
manual gearbox

DN mm	Connection	PFA in bar	PS in bar				Cat.	Ref.	Weight kg
			L1	L2	G1	G2			
<b>COMPRESSION FITTING</b>									
15	15 mm compression	10	10	10	10	10	4.3	<b>228015242</b>	0.270
20	22 mm compression	10	10	10	10	10	4.3	<b>228020242</b>	0.350
25	28 mm compression	10	10	10	10	10	4.3	<b>228025242</b>	0.550
<b>FEMALE CONNECTION</b>									
15	F/F 1/2"	10	10	10	10	10	4.3	<b>228015243</b>	0.240
20	F/F 3/4"	10	10	10	10	10	4.3	<b>228020243</b>	0.300
25	F/F 1"	10	10	10	10	10	4.3	<b>228025243</b>	0.450
<b>MALE CONNECTION</b>									
15	M/M 3/4"	10	10	10	10	10	4.3	<b>228015244</b>	0.250
20	M/M 1"	10	10	10	10	10	4.3	<b>228020244</b>	0.320
25	M/M 1 1/14"	10	10	10	x	10	4.3	<b>228025244</b>	0.500
<b>SWIVEL NUT</b>									
15	Swivel nut 3/4"	10	10	10	10	10	4.3	<b>228015245</b>	0.300
15	M3/4" Swivel nut 3/4"	10	10	10	10	10	4.3	<b>228015253</b>	0.325
20	Swivel nut 1"	10	10	10	10	10	4.3	<b>228020245</b>	0.360
<b>PRESS FIT CONNECTION</b>									
15	12 mm	10	10	10	10	10	4.3	<b>228015251</b>	0,445
15	22 mm	10	10	10	10	10	4.3	<b>228015252</b>	0,517
25	28 mm	10	10	10	10	10	4.3	<b>228025251</b>	0,974
<b>FEMALE CONNECTION</b>									
32	F/F 1 1/4"	10	10	10	0,5	10	4.3	<b>228032243</b>	0,840
40	F/F 1 1/2"	10	10	10	0,5	10	4.3	<b>228040243</b>	1,459
50	F/F 2"	10	10	10	0,5	10	4.3	<b>228050243</b>	2,185
<b>MALE CONNECTION</b>									
32	M/M 1 1/2"	10	10	10	0,5	10	4.3	<b>228032244</b>	0,850
40	M/M 2"	10	10	10	0,5	10	4.3	<b>228040244</b>	1,524

### Important notice:

The temperature and pressure indications given for the various categories of fluids (L1/L2/G1/G2) are under no circumstances a guarantee that they are suitable for your system. Therefore, it is essential to validate the use of the products under given operating conditions with our technical department.

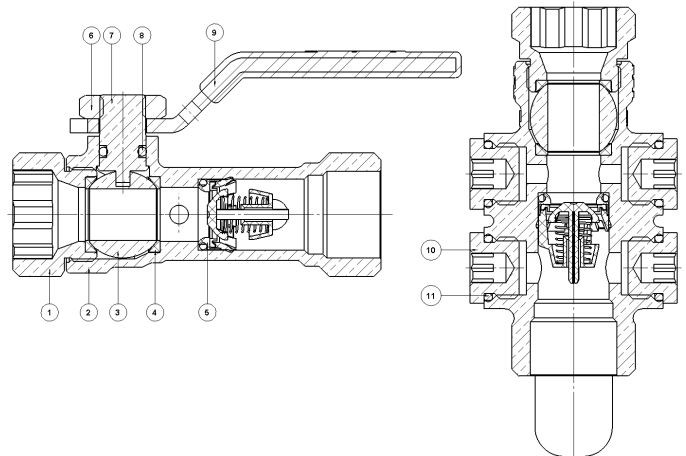
In addition, the operating instructions are available on our web site [www.socla.com](http://www.socla.com) or by simply asking our sales department.

### Technical features

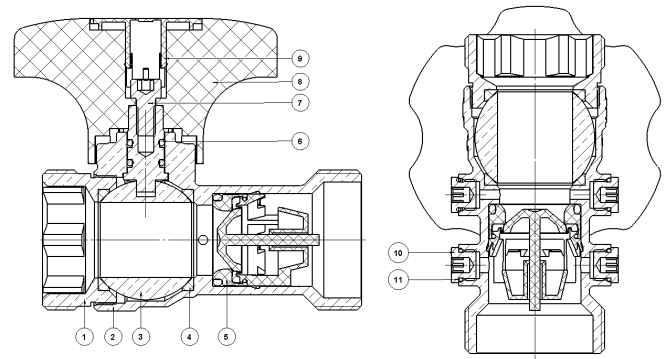
Operating temperature	Min.: 5°C / Maxi. : 65°C / Short time (1h/day) : 85°C
Permissible operating pressure (PFA) in water	See table above
Connection	See table above
Drain connection	BSP Cylinder
Mediums	Clear liquids

## Parts list and materials

N°	Description	Materials DN 15 to 25
1	Fitting	Brass
2	Body	Brass
3	Coated ball	Chromed Brass
4	Seal	PTFE
5	Disc	POM
6	Nut	Stainless steel
7	Shaft	Brass
8	Gasket	EPDM
9	Handlever	Steel + PVC
10	Plug	Brass
11	Gasket	EPDM



N°	Description	Materials DN 32 to 50
1	Fitting	Brass
2	Body	Brass
3	Coated ball	Chromed Brass
4	Seal	PTFE
5	Disc	POM
6	Gasket	EPDM
7	Nut	Steel + Zinc
8	Handlever	Pa 6.6
9	Cap	ABS
10	Plug	Brass
11	Gasket	EPDM



## Approvals

Approvals :

**ACS kiwa**

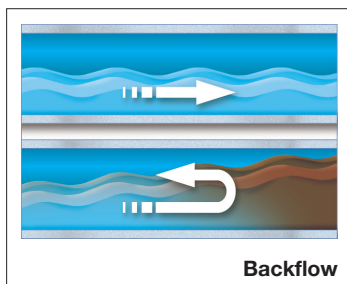


**International construction Standards :**

NF EN 13858 - NF EN 13959 - NF EN 1717  
Thread connection according to EN ISO 228-1

## Application

The risk of pollution increases with the complexity of the pipework. Risks due to backflow vary according to the severity of the hazard represented by the fluids likely to have come into contact with it. More or less sophisticated protection devices or systems should be chosen according to the severity of the hazard.



Drinking water transported by the public water distribution network can be subject to hazardous levels of pollution, caused by the backflow of contaminated fluid from systems directly connected to the main supply. Such backflow occurs when:

- The pressure of the water in the distribution system falls below that of the system it is supplying (back siphonage). The loss of pressure can be caused by a broken water main or other users drawing off large amounts of water.
- The pressure within the system may exceed the supply pressure (backpressure), for example when water is pumped in from a well.

In cases of back siphonage or backpressure, backflow occurs when the normal fluid direction is reversed in the distribution network. This backflow can bring water which is likely to be polluted into the main water supply network and thus contaminate the drinking water.

## Application

### USING EA ANTI-POLLUTION CHECK VALVES

Drinking water supply networks must be protected against any risk of contamination.

Standard EN 1717: 2000 defines the categories of fluids which can contaminate a water supply based on the severity of the hazard for human health, and also defines the type of backflow prevention device to be installed on the network in order to ensure protection against the backflow of contaminated water.

It classifies water found in installations according to the degree of risk to human health.

**The BASIC CC WATTS valve is an EA anti-pollution check valve which can protect drinking water supply networks against the risk of contamination up to category 2.**

**Category 1:**

Water to be used for human consumption coming directly from a potable water distribution system.

**Category 2:**

Fluid that does not represent a health hazard, as in number 1, the quality of which has been impaired due to changes to its temperature, taste, odour or appearance.

**Category 3:**

Fluid that represents a slight health hazard due to the presence of one or more harmful substances.

**Category 4:**

Fluid that represents a health hazard due to the presence of one or more "toxic" or "highly toxic" substances, or one or more radioactive, mutagenic or carcinogenic substances.

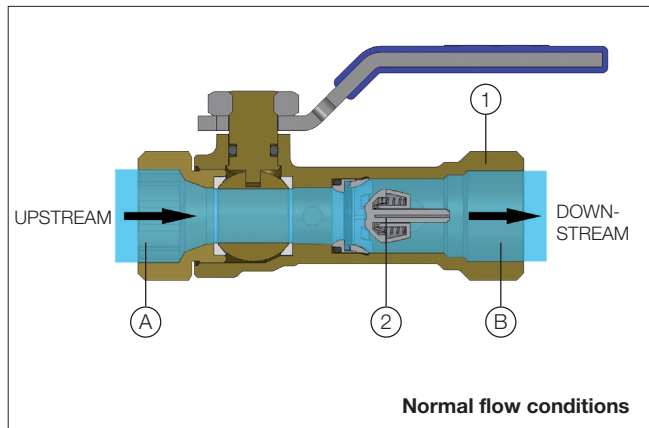
**Category 5:**

Fluid that represents a severe health hazard due to the presence of microbiological or viral elements.

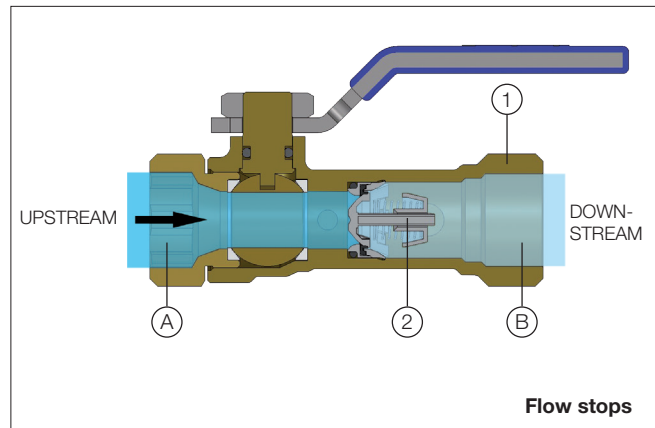
## Operation

### HOW IT WORKS:

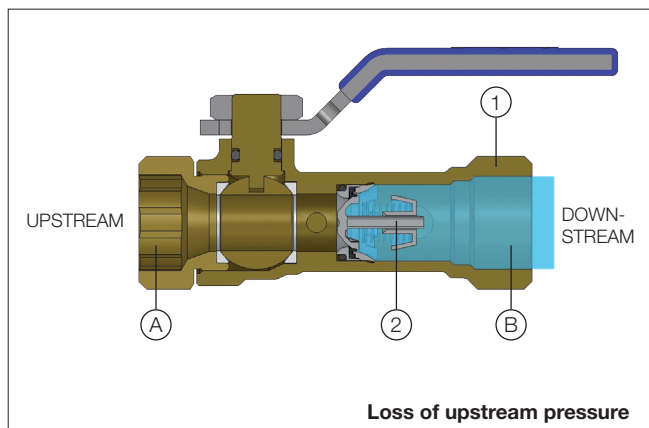
The anti-pollution check valve consists of a body (1), a non-return valve (2), and possibly one or two test points. The non-return valve (2) delimits two different zones: an upstream or inlet zone (A), and a downstream or outlet zone (B).



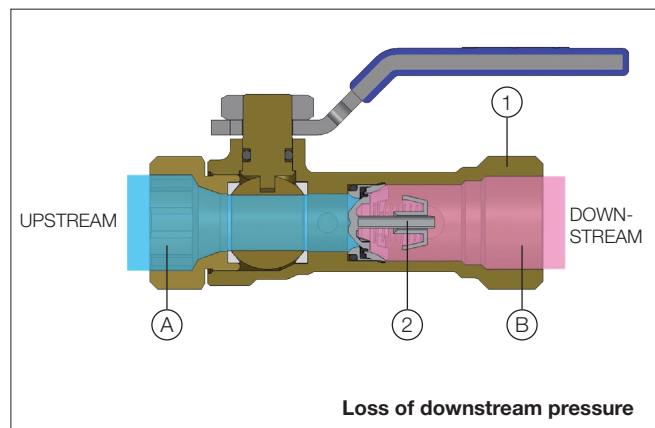
In normal flow conditions, the non-return valve (2) opens automatically when the upstream pressure (A) is higher than the downstream pressure (B).



The non-return valve (2) closes in advance due to the spring action, when the downstream pressure (B) equalises with the upstream pressure (A) after the flow has stopped.



The non-return valve (2) stays shut, preventing the installation water from returning into the distribution network.



If the downstream pressure exceeds the upstream pressure, the non-return valve stays shut, preventing the system water from flowing back into the distribution network.

## Installation

Prior to commissioning, check that:

- the device is suitable for the installation category
- the conditions of operation are compatible with the fluid category
- the check valve is working properly, by testing it a couple of times

On a new installation or after maintenance, the circuit should be rinsed in order to flush out any solid bodies which might damage the internal parts of the valve.

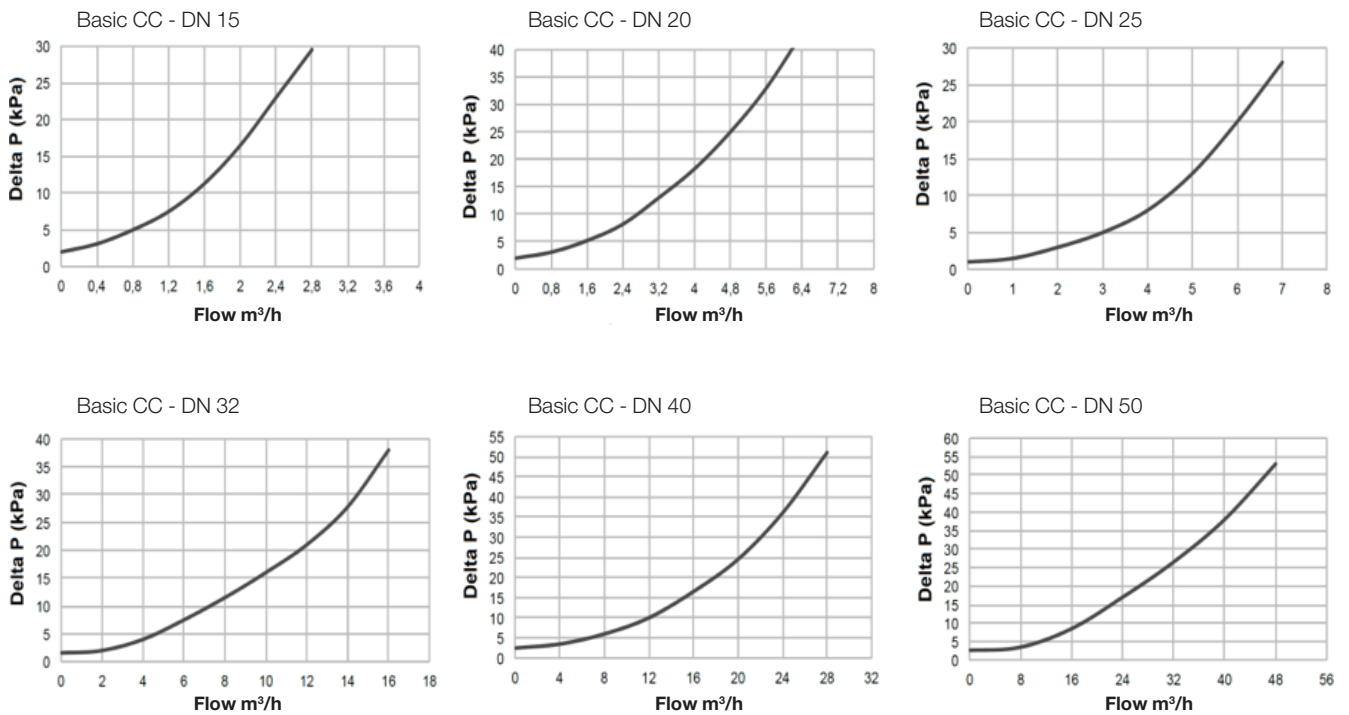
The circuit should be gradually brought up to pressure to avoid damaging the internal parts of the valve.

Check that when the flow stops, the check valve does indeed maintain the pressure.

After a prolonged stoppage, a change in the fluid state can cause damage when the installation is restarted (solidification, etc.).

An opening/closing manipulation must be done every three months to avoid valve scaling.

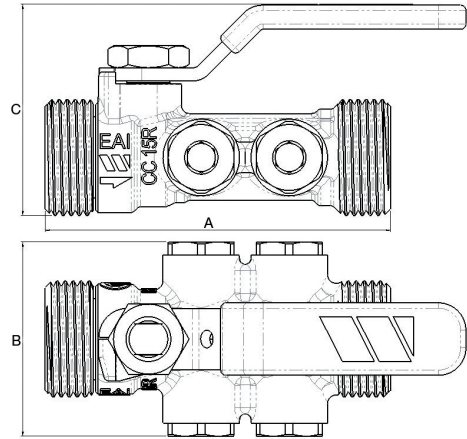
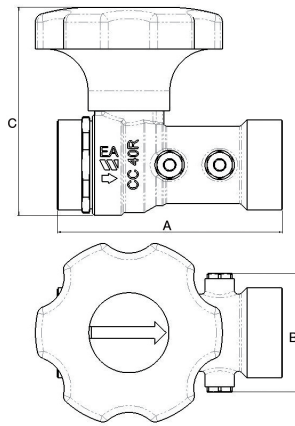
## Operating specifications



Basic CC - Headloss charts

## Sizing

Ref.	A	B	C
	mm	mm	mm
228015242	92	44	47
228020242	99	48	53
228025242	110	55	62
228015243	80	44	47
228020243	83	48	53
228025243	93	55	62
228015244	78	44	48
228020244	82	48	53
228025244	92	55	62
228015245	90	40	50
228020245	83	48	53
228032243	115	61	99
228015251	122	44	52
228015252	166	44	52
228025251	164	65	67
228040243	135	71	125
228050243	160	80	136
228032244	111	61	99
228040244	135	71	125



## Other information



### Drain valve

Description	Ref.	Weight Kg
1/4" drain with pipe connection	<b>Consult us</b>	0,032



### Handlever

Description	Ref.	Weight Kg
Steel red handlever	<b>Consult us</b>	0,026
Stainless steel blue handlever	<b>Consult us</b>	0,026

The descriptions and photographs contained in this product specification sheet are supplied by way of information only and are not binding.

Watts reserves the right to carry out any technical and design improvements to its products without prior notice. Warranty : All sales and contracts for sale are expressly conditioned on the buyer's assent to Watts terms and conditions found on its website at [www.watts.com](http://www.watts.com). Watts hereby objects to any term, different from or additional to Socla terms, contained in any buyer communication in any form, unless agreed to in a writing signed by an officer of Watts.

# WATTS®

**WATTS INDUSTRIES France**

1590 avenue d'Orange • CS 10101 Sorgues 84275 VEDENE CEDEX • France

Tel. +33 (0)4 90 33 28 28 • Fax +33 (0)4 90 33 28 39

[contact@wattswater.com](mailto:contact@wattswater.com) • [www.wattswater.co.uk](http://www.wattswater.co.uk)