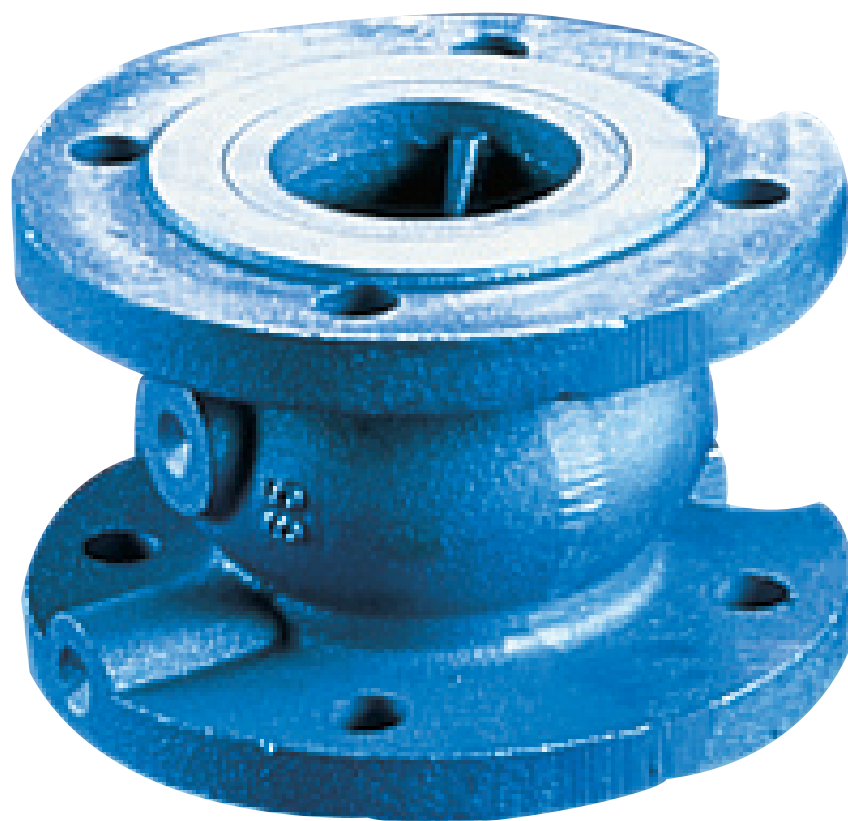


402 / 402B / 402S UBA application

Non-return axial guided valves

System 02

Technical Data Sheet



Description

The O2 system offers the best compromise between hydraulic performance, ruggedness, sealing-tightness and price for use with clear liquids : pumping, supply, distribution, general circuits. This range extends from 40 to 500 mm for both non-return valves and foot valves, thereby suiting a large number of applications, especially where there may be a risk of water hammer.

- **Internal and external Epoxy coating** increasing resistance to corrosion
- **Hydraulic shape** means very little energy loss
- Excellent sealingtightness ensured by **seal EPDM**
- **Bronze guide ring** enables a better movement of the closing system and preventing premature wear
- **Stainless steel spring** allowing system to function in any position
- **Bosses drilled** on request for by-pass or controlled evacuation
- **Passage for cables** of submersible pumps



402 UBA / 402B UBA

Non-return axial guided valves - System O2

DN mm	PN	PFA in bar	PS in bar				Cat	Ref. 402 UBA	Ref. 402B UBA	Weight Kg
			L1	L2	G1	G2				
50	10/16	16	16	16	16	16	I	149B2282UBA	149B2351UBA	5,8
65	10/16	16	16	16	15	16	I	149B2283UBA	149B2353UBA	8,1
80	10/16	16	16	16	12	16	I	149B2284UBA	149B2354UBA	10,2
100	10/16	16	16	16	10	16	I	149B2285UBA	149B2355UBA	14,5
125	10/16	16	16	16	0,5	16	I	149B2226UBA	149B2226BUBA	24
150	10/16	16	13	16	0,5	16	I	149B2227UBA	149B2227BUBA	32
200	10	10	10	10	10	10	II	149B2229UBA	149B2229BUBA	53
250	10	10	10	10	10	10	II	149B2230UBA	149B2230BUBA	94
300	10	10	10	10	10	10	II	149B2231UBA	149B2231BUBA	140
350	10	10	10	10	0,5	10	II	149B2232UBA	149B2232BUBA	225
400	10	10	10	10	0,5	10	II	149B2233UBA	149B2233BUBA	312
500	10	10	10	10	0,5	10	II	149B2235UBA	149B2235BUBA	540

402S UBA

DN mm	PN	PFA in bar	PS in bar				Cat	Ref. 402S UBA	Weight Kg
			L1	L2	G1	G2			
50	25/40	40	40	40	20	40	I	149F054124	5,8
65	25/40	40	30	40	15	40	I	149F054125	8,1
80	25/40	40	25	40	12	40	I	149F054126	10,2
100	25/40	40	20	40	10	40	I	149F054127	14,5
125	25/40	40	16	40	0,5	28	I	149B054150	24
150	25/40	40	13	40	0,5	23	I	149B054151	32
200	25	25	25	25	17	25	II	149B054152	53
250	25	25	25	25	14	20	II	149B054153	94
300	25	25	25	25	11	16	II	149B054154	140
350	25	25	25	25	10	14	II	149B054155	225
400	25	25	25	25	0,5	12	II	149B054156	312
500	25	25	25	25	0,5	10	II	149B054157	540

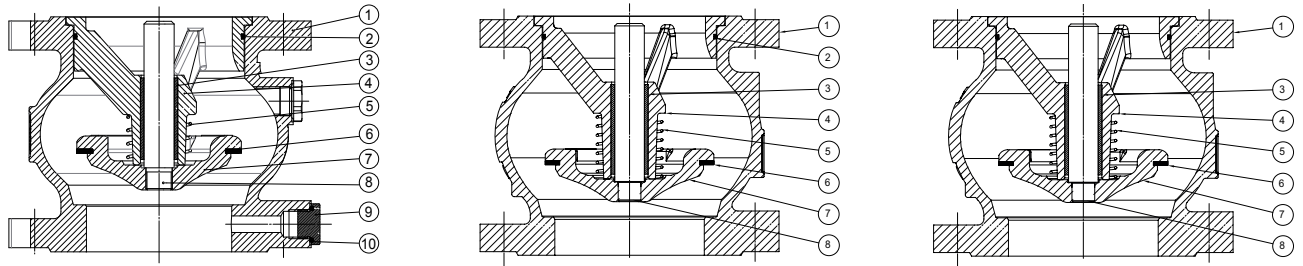
Important notice:

The indicated pressure for the different categories of fluids (L1/L2/G1/G2) is under no condition a guarantee of use. Therefore, it is essential to validate the use of products under given operating conditions. The operating instructions are available on our web site www.socla.com or by requesting from our sales department.

Technical features

Operating temperature	-10 °C at 23 °C
Permissible operating pressure (PFA) in water	See table above
Maximum permissible pressure (PS) other mediums	See table above
Connection	Flanges drilled PN (see table)
Mediums	Liquids not loaded, gas

Nomenclature and materials



N°	Description	Materials	EURO	ANSI		
1	Body	DN 40-400	Cast iron / Epoxy	EN 1561 EN-GJL-250	ASTM A 48 35 B	
		DN 500	Ductil iron / Epoxy	EN 1563 EN-GJS-400-15	ASTM A 536 65-45-12	
		DN 50-500 (402S)	Ductil iron / Epoxy	EN 1563 EN-GJS-400-15	ASTM A 536 65-45-12	
2	O-ring seal	DN 40-250	EPDM			
3	Ring		Bronze	EN 1982 CuSn5Zn5Pb2-C GS		
4	Guide	DN 50	Bronze	EN 1982 CuSn5Zn5Pb2-C GS		
		DN 40 & 60-400	Cast iron / Epoxy	EN 1561 EN-GJL-250	ASTM A 48 35 B	
		DN 500	Ductil iron / Epoxy	EN 1563 EN-GJS-400-15	ASTM A 536 65-45-12	
5	Spring		Stainless steel	EN 10270-3 X10CrNi18-8	AISI 302	
6	Seal		EPDM			
7-8	Closing system	DN 50-65	Stem	Bronze	EN 1982 CuSn5Zn5Pb2-C GS	
		DN 80-400	Check-valve	Cast iron / Epoxy	EN 1561 EN-GJL-250	ASTM A 48 35 B
			Stem	Bronze	EN 1982 CuSn12-C GS	
		DN 500	Check-valve	Ductil iron / Epoxy	EN 1563 EN-GJS-400-15	ASTM A 536 65-45-12
9	Plug		Brass	EN12164 CuZn38Pb2As R350		
10	Seal		EPDM			

Approvals



International construction Standards :

CE Conformity Directive 2014/68/UE
 Flange drilling according to EN1092-2
 402, 402B, 402S are UBA compliant

Application

The non-return valve 402, 402B & 402S SOCLA are the most universal for protection of drinking water networks, water distribution, pumping, industry. It can be installed in any position with liquids not loaded and gas.
 402S is the most universal for high pressure.

Installation

Installation :

Before putting valve into operation, check that:

- the working conditions are compatible with the details given on the identification plate, the instruction notice and the manufacturer's detail,
- the valve works effectively when tried (carry out a few opening and closing operations of the closing system),
- the valve is free-pollution inside.

On a new installation or after maintenance, the circuit must be rinsed with the valve completely open in order to remove solid matter which may damage the internal parts of the valve.

Commissioning :

The installation should be put under pressure progressively to avoid damage which might occur to internal components.

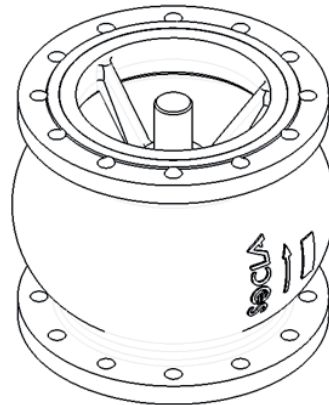
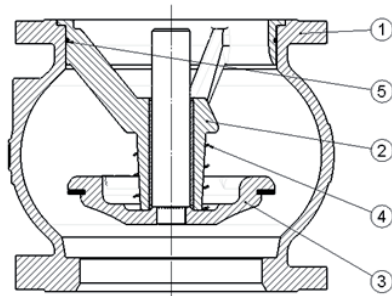
Make sure that when flow stops the valve maintains pressure well and that there is no water-hammer which might damage the valve or installation.

If there is water-hammer, an anti-water hammer system must be added to the installation.

During a prolonged stoppage, a change in the state of the fluid may result in damage when the installation is brought back into service (solidification...).

Establish an adequate procedure program for cleaning the system.

Maintenance



• Removing :

1. Remove all guide (N°2)
2. Remove the o-ring seal (N°5) from its throat
3. Remove the spring (N°4)
4. Remove all the closing system (N°3)

• Reassembly :

Make sure that the seal is a good condition before assembly the valve.

Clean and lubricate it if necessary with a suitable product.

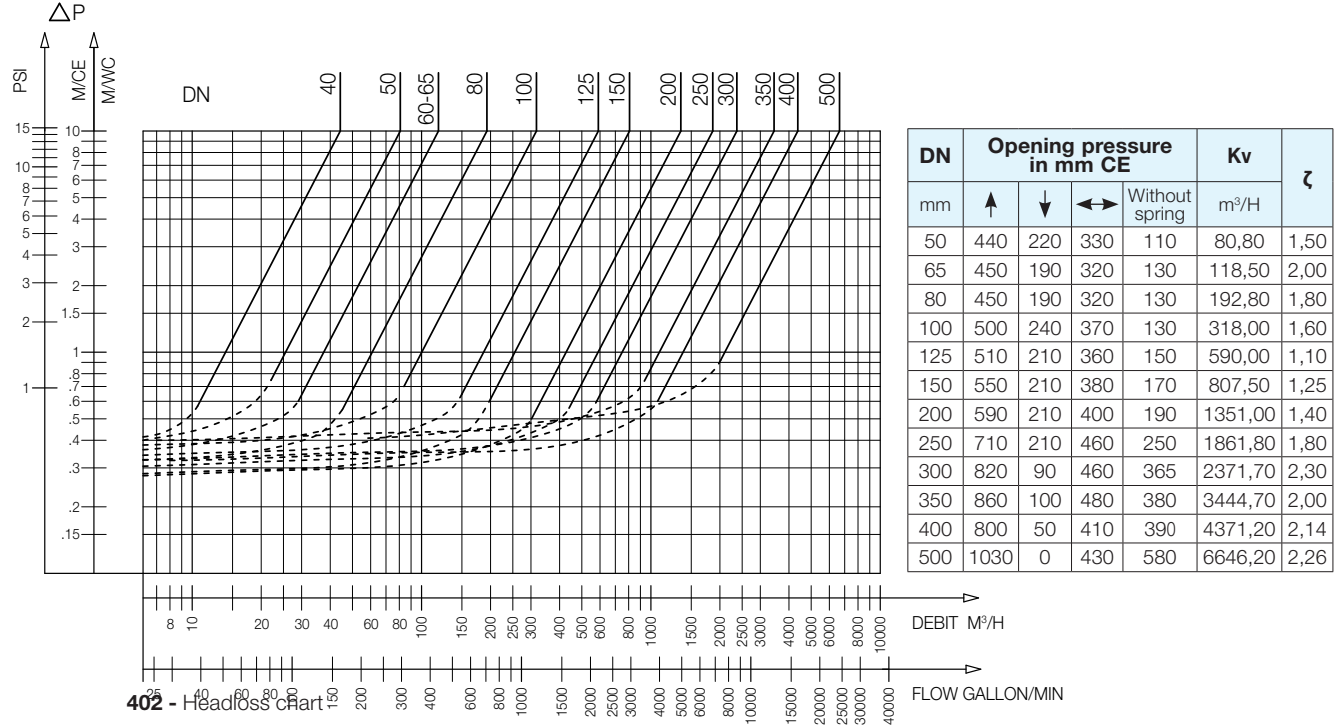
1. Put all the closing system (N°3) into the casing (N°1)
2. Insert the spring (N°4)
3. Put the o-ring seal (N°5) in its throat
4. Insert all the closing system (N°2). This step may require use a press.

Once the reassembly done, test the device in order to check its sealing.

Operation

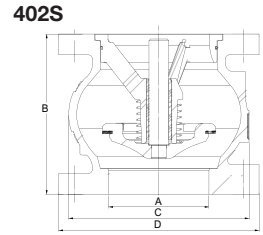
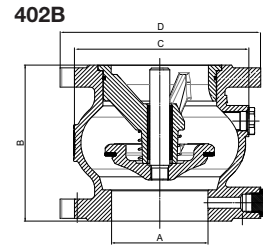
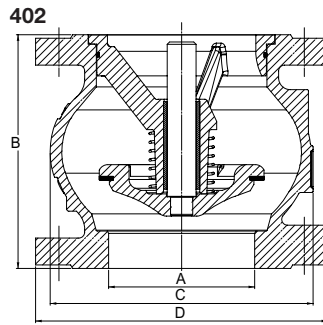
Direction for use :

- Solid line: Valve completely open
- Dotted line: opening stage of valve



Sizing

A	B	C	D
mm	mm	mm	mm
50	100	97	165
65	120	125	185
80	140	150	200
100	170	187	220
125	200	220	250
150	230	250	285
200	289	340	340
250	354	420	405
300	396	490	460
350	473	586	533
400	560	680	597
500	750	880	670



The descriptions and photographs contained in this product specification sheet are supplied by way of information only and are not binding.

Socla reserves the right to carry out any technical and design improvements to its products without prior notice. Warranty : All sales and contracts for sale are expressly conditioned on the buyer's assent to Socla terms and conditions found on its website at www.socla.com. Socla hereby objects to any term, different from or additional to Socla terms, contained in any buyer communication in any form, unless agreed to in a writing signed by an officer of Socla.



A WATTS Brand

Socla sas

365 rue du Lieutenant Putier • 71530 Virey-Le-Grand • France

Tel. +33 03 85 97 42 00 • Fax +33 03 85 97 42 42

contact@wattswater.com • www.socla.com

ISO 9001 version 2015 / ISO 18001