

# FI

Antipollution insert checkvalve - EB type  
System 01

## Technical Data Sheet



## Description

Antipollution insert checkvalve FI guarantee the protection of drinking water against a risk of pollution from a fluid of category 2.

- Minimum head loss
- Do not generate hammering
- Noiseless due to a split obturator
- Axial guidance obturator with return spring



### FI

Antipollution insert checkvalve - EB type - System 01

DN	PFA in bar	PS in bar				Cat.	Ref.	Weight Kg
		L1	L2	G1	G2			
8	10	10	10	10	10	4.3	<b>2224040</b>	0,002
15	10	10	10	10	10	4.3	<b>2224041</b>	0,005

#### Important notice :

The temperature and pressure indications given for the various categories of fluids (L1/L2/G1/G2) are under no circumstances a guarantee that they are suitable for your system. Therefore, it is essential to validate the use of the products under given operating conditions with our technical department.

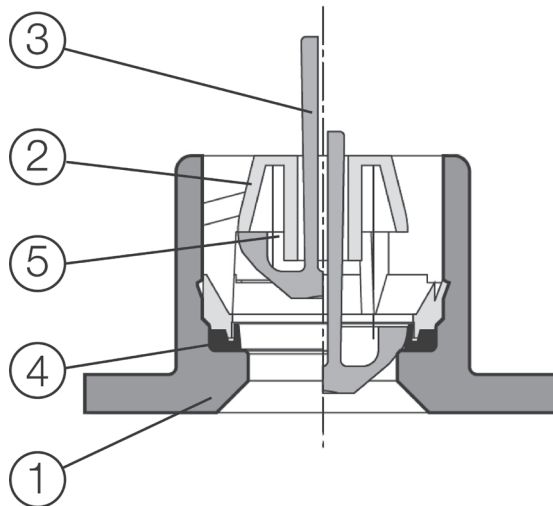
In addition, the operating instructions are available on our website [www.socla.com](http://www.socla.com) or by simply asking our sales department.

#### Technical features

Operation temperatures	Continuous -10°C up to 65°C / Maxi. : 85°C (in case of an accidental peak during 1h)
Permissible operating pressure (PFA) in water	See table above
Maximum permissible pressure (PS) other mediums	See table above
Connection	Incorporation in a device
Mediums	Drinking water, clear liquids gaz

#### Nomenclature and materials

N°	Description	Materials
1	Body	POM (Polyacetal)
2	Guide	POM (polyacetal)
3	Obturator	POM (polyacetal)
4	Seal	NBR
5	Spring	Stainless steel



## Approvals

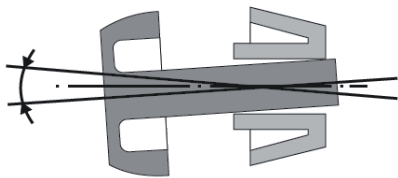
FI checkvalves are mainly incorporated in boilers and waters heater.

## Fonctionnement

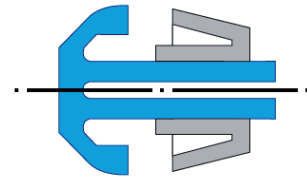
Some vibrations can occur at low flow rates. These vibrations are generated by possible lateral movements of the valve. Until now it was impossible to avoid this effect without affected hydraulic characteristics.

Thanks to the unique guide system by slotted stem that eliminates the possibility of movements and optimal hydraulic profile, vibration are eliminated.

By providing this guidance without the possibility of movements avoids calcareous deposits and vibration, ensuring a flowless and quiet operation for years.



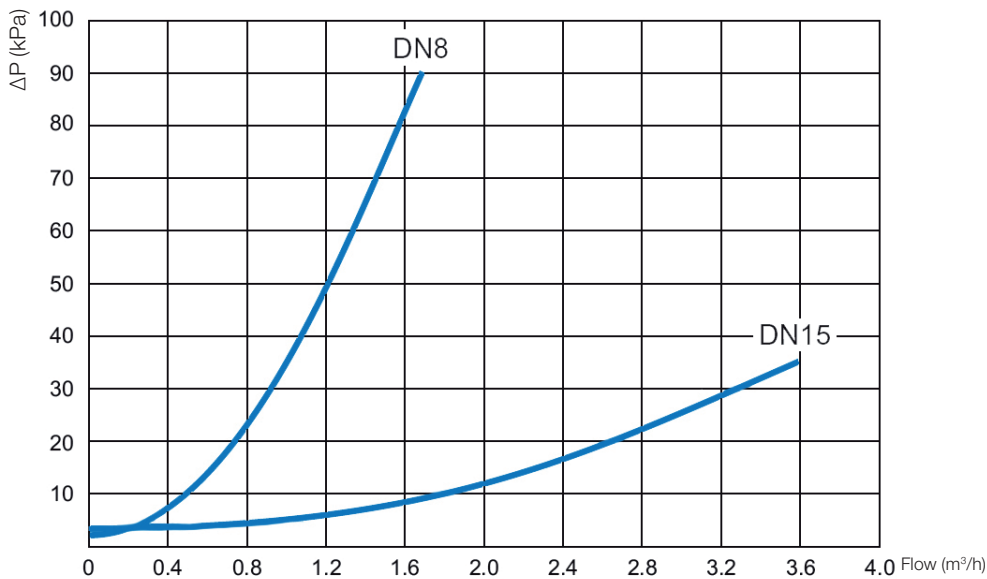
**Classic obturator guidance**



**WATTS obturator guidance**

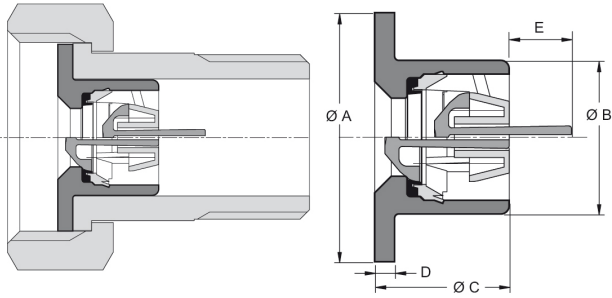
## Operation

**FI - Headloss chart**

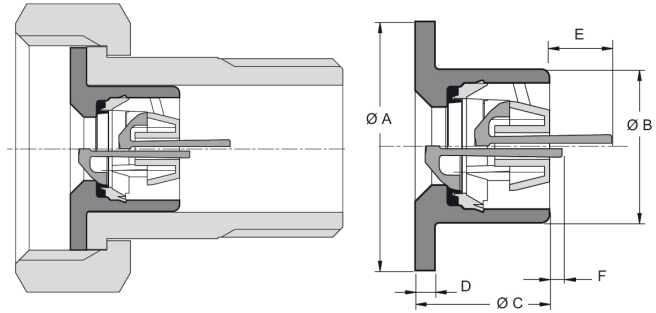


# Sizing

## FI010 DN8



## FI015 DN15



Ref.	DN mm	$\varnothing A$ mm	$\varnothing B$ mm	$\varnothing C$ mm	D mm	E mm	F mm
<b>2224040</b>	8	23 <sub>+0,1</sub>	15,3	12,7 <sub>+0,1</sub>	2 <sub>+0,2</sub>	20	-
<b>2224041</b>	15	30 <sub>+0,5</sub>	18,5 <sub>+0,1</sub>	16,2 <sub>+0,2</sub>	2,4 <sub>+0,2</sub>	25	2,7

The descriptions and photographs contained in this product specification sheet are supplied by way of information only and are not binding. Watts reserves the right to carry out any technical and design improvements to its products without prior notice. Warranty : All sales and contracts for sale are expressly conditioned on the buyer's assent to Watts terms and conditions found on its website at [www.watts.com](http://www.watts.com). Watts hereby objects to any term, different from or additional to Socla terms, contained in any buyer communication in any form, unless agreed to in a writing signed by an officer of Watts.



**WATTS INDUSTRIES France**

1590 avenue d'Orange • CS 10101 Sorgues 84275 VEDENE CEDEX • France  
 Tel. +33 (0)4 90 33 28 28 • Fax +33 (0)4 90 33 28 39  
[contact@wattswater.com](mailto:contact@wattswater.com) • [www.wattswater.co.uk](http://www.wattswater.co.uk)