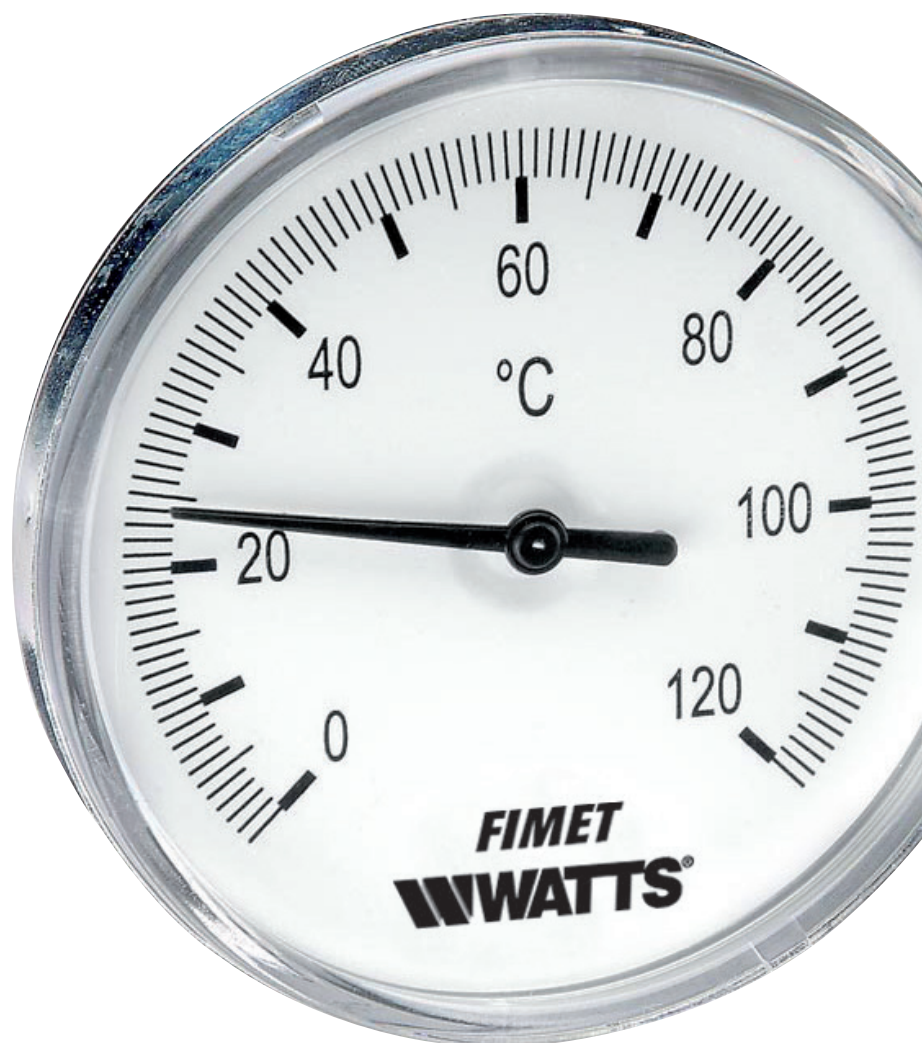


# TB-VE

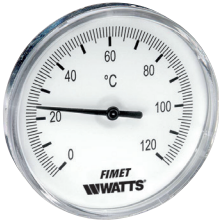
Bimetal thermometers

## Technical Data Sheet



## Description

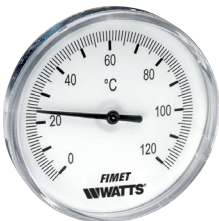
Zinc-plated steel case centre back entry. For domestic and industrial heating, gases and liquids not viscous, not aggressive and not crystallising.



### TB-40/VE

DN40 thermometers.

Part No	Stem (mm)	Pressure Range	Connec.	Options*	Box/Master	Min. order
PT1A457010	30	0-80 °C	G3/8B	G+VE+LF	240/240	50
PT1A507001	30	0-120 °C	G3/8B	G+VE	240/240	50
	50	-30+50 °C	G1/2B	G+VE	50/50	50
PT1A447000	50	0-60 °C	G1/2B	G+VE	50/50	50
	50	0-80 °C	G1/2B	G+VE	50/50	50
PT1A507005	50	0-120 °C	G1/2B	G+VE+LF	50/50	50



### TB-63/VE

DN63 thermometers.

Part No	Stem (mm)	Pressure Range	Connec.	Options*	Box/Master	Min. order
	50	-30+50 °C	G1/2B	G+VE	50/50	50
PT3A447002	50	0-60 °C	G1/2B	G+VE	50/50	25
	50	0-80 °C	G1/2B	G+VE	50/50	50
PT3A507009	50	0-120 °C	G1/2B	G+VE+QISP+LF	50/50	25
PT3A507006	50	0-120 °C	G1/2B	VE+QISP	50/50	50
	100	-30+50 °C	G1/2B	G+VE	50/50	50
	100	0-60 °C	G1/2B	G+VE	50/50	50
	100	0-80 °C	G1/2B	G+VE	50/50	50
PT3B507005	100	0-120 °C	G1/2B	G+VE+QISP+LF	50/50	25
PT3B507004	100	0-120 °C	G1/2B	VE+QISP	50/50	25
	150	-30+50 °C	G1/2B	G+VE	50/50	50
	150	0-60 °C	G1/2B	G+VE	50/50	50
	150	0-80 °C	G1/2B	G+VE	50/50	50
PT3C507001	150	0-120 °C	G1/2B	G+VE+QISP+LF	50/50	50
	200	-30+50 °C	G1/2B	G+VE	40/40	40
	200	0-60 °C	G1/2B	G+VE	40/40	40
	200	0-80 °C	G1/2B	G+VE	40/40	40
	200	0-120 °C	G1/2B	G+VE	40/40	40
	300	-30+50 °C	G1/2B	G+VE	32/32	32
	300	0-60 °C	G1/2B	G+VE	32/32	32
	300	0-80 °C	G1/2B	G+VE	32/32	32
	300	0-120 °C	G1/2B	G+VE	32/32	32



## TB-80/VE

DN80 thermometers.

Part No	Stem (mm)	Pressure Range	Connec.	Options*	Box/ Master	Min. order
PT4A987003	50	-30+50 °C	G1/2B	G+VE+LF	50/50	25
PT4A447004	50	0-60 °C	G1/2B	G+VE+LF	50/50	25
	50	0-80 °C	G1/2B	G+VE	50/50	50
PT4A507011	50	0-120 °C	G1/2B	G+VE+QISP+LF	50/50	25
PT4A507007	50	0-120 °C	G1/2B	VE+QISP	50/50	25
PT4B987002	100	-30+50 °C	G1/2B	G+VE+LF	50/50	25
PT4B447003	100	0-60 °C	G1/2B	G+VE+LF	50/50	25
	100	0-80 °C	G1/2B	G+VE	50/50	50
PT4B507005	100	0-120 °C	G1/2B	G+VE+QISP+LF	50/50	25
PT4B507003	100	0-120 °C	G1/2B	VE+QISP	50/50	25
	150	-30+50 °C	G1/2B	G+VE	32/32	32
	150	0-60 °C	G1/2B	G+VE	32/32	32
	150	0-80 °C	G1/2B	G+VE	32/32	32
PT4C507001	150	0-120 °C	G1/2B	G+VE	32/32	32
	200	-30+50 °C	G1/2B	G+VE	40/40	40
PT4D447000	200	0-60 °C	G1/2B	G+VE+LF	40/40	20
	200	0-80 °C	G1/2B	G+VE	40/40	40
	200	0-120 °C	G1/2B	G+VE	40/40	40
	300	-30+50 °C	G1/2B	G+VE	40/40	40
	300	0-60 °C	G1/2B	G+VE	40/40	40
	300	0-80 °C	G1/2B	G+VE	40/40	40
	300	0-120 °C	G1/2B	G+VE	40/40	40



## TB-100/VE

DN100 thermometers.

Part No	Stem (mm)	Pressure Range	Connec.	Options*	Box/ Master	Min. order			
PT5A987002	50	-30+50 °C	G1/2B	G+VE+LF	32/32	32			
PT5A447003	50	0-60 °C	G1/2B	G+VE+LF	32/32	32			
		0-80 °C	G1/2B	G+VE					
PT5A507006	50	0-120 °C	G1/2B	G+VE+QISP+LF	32/32	16			
PT5A507005	50	0-120 °C	G1/2B	VE	32/32	16			
PT5B987002	100	-30+50 °C	G1/2B	G+VE+LF	32/32	16			
PT5B447003	100	0-60 °C	G1/2B	G+VE+LF	32/32	16			
		0-80 °C	G1/2B	G+VE					
PT5B507006	100	0-120 °C	G1/2B	G+VE+QISP+LF	32/32	16			
PT5B507005	100	0-120 °C	G1/2B	VE	32/32	16			
		150	-30+50 °C	G1/2B			G+VE	32/32	32
		150	0-60 °C	G1/2B			G+VE	32/32	32
		150	0-80 °C	G1/2B			G+VE	32/32	32
		150	0-120 °C	G1/2B			G+VE	32/32	32
		200	-30+50 °C	G1/2B			G+VE	32/32	32
		200	0-60 °C	G1/2B			G+VE	32/32	32
		200	0-80 °C	G1/2B			G+VE	32/32	32
		200	0-120 °C	G1/2B			G+VE	32/32	32
		300	-30+50 °C	G1/2B			G+VE	32/32	32
300	300	0-60 °C	G1/2B	G+VE	32/32	32			
		0-80 °C	G1/2B	G+VE					
		0-120 °C	G1/2B	G+VE					
		0-120 °C	G1/2B	G+VE					

### \*Options included

G = Complete with brass pocket  
 QISP = Dial according to INAIL standards  
 VE = European version without chrome-plated ring  
 LF = Fimet Watts logo on the dial

## Customizations per minimum order quantity

Customizations	Model
G INOX - Stainless steel pocket	TB-40-63-80-100/VE
Customized dials, other scale ranges or connections on request	TB-40-63-80-100/VE

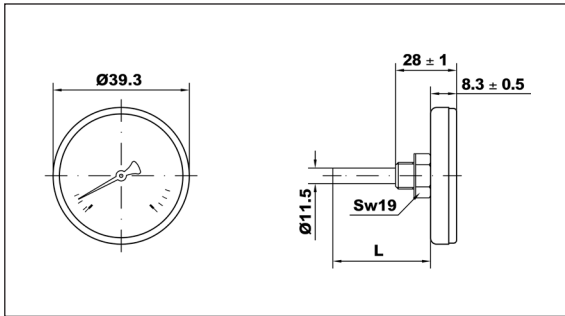
## Features

Materials	TB-40/VE	TB-63/VE TB-80/VE TB-100/VE
Case	Zinc-plated steel	Zinc-plated steel
Window	Clear plastic	Clear plastic
Dial	Aluminium white	Aluminium white
Pointer	Black plastic	Black plastic
Stem	Zinc-plated steel Ø 9 mm	Zinc-plated steel Ø 9 mm
Temperature element	Bimetal, spiralled	Bimetal, spiralled
Pocket	Brass, 19 mm flats with fixing screw	Brass up to length 100 mm, above brass-copper 19 mm flats with fixing screw

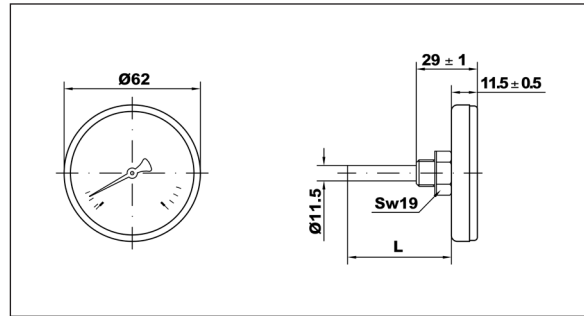
Technical features	
Design	EN 13190
Temperature limits	Ambient: -20 ... +60 °C Medium: as per scale indication Storage: -20 ... +60 °C
Operating temperature	As per scale indication
Temperature effect	Not applicable
Accuracy class	cl. 2
Degree of protection	IP 31 per EN 60 529/IEC 529
Individual weight:	
TB-40/VE	0.059 kg
TB-63/VE	0.112 kg
TB-80/VE	0.130 kg
TB-100/VE	0.175 kg

## Overall dimensions (mm)

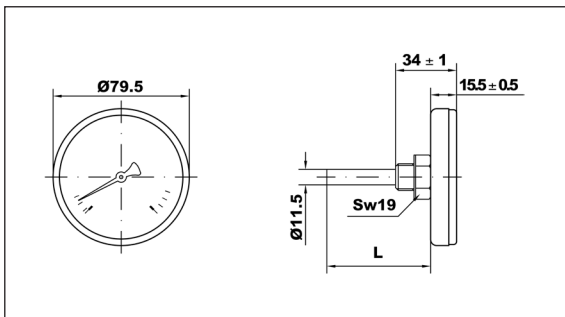
### TB-40/VE



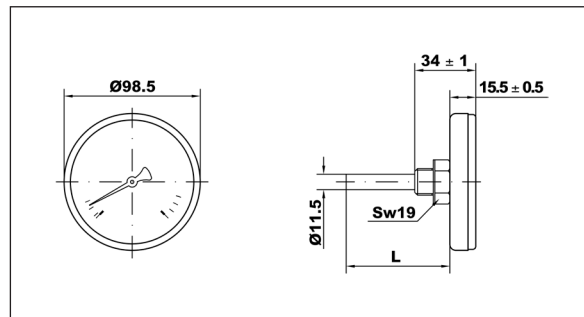
### TB-63/VE



### TB-80/VE



### TB-100/VE



## Specification text

Bimetal Thermometers **Series TB/VE**, Watts brand, for domestic and industrial heating, gases and liquids not viscous, not aggressive and not crystallising. Zinc-plated steel case DN 40-63-80-100 **back connection**. Measures range from 0-60°C up to 120°C / -30+50°C. Stem Cu-alloy DN 9, length 50-100-150-200-300 mm. **Complete with brass pocket** 19 mm flats with fixing screw. Temperature limits as per scale indication. Accuracy class cl. 2.0. **Compliant with EN 13190**.

The descriptions and photographs contained in this product specification sheet are supplied by way of information only and are not binding.

Watts Industries reserves the right to carry out any technical and design improvements to its products without prior notice. Warranty: All sales and contracts for sale are expressly conditioned on the buyer's assent to Watts terms and conditions found on its website at [www.wattswater.eu](http://www.wattswater.eu). Watts hereby objects to any term, different from or additional to Watts terms, contained in any buyer communication in any form, unless agreed to in a writing signed by an officer of Watts.

**WATTS**<sup>®</sup>

**Watts Industries Italia S.r.l.**

Via Brenno, 21 • 20853 Biassono (MB) • Italy  
Tel. +39 039 4986.1 • Fax +39 039 4986.222  
[infowattsitalia@wattswater.com](mailto:infowattsitalia@wattswater.com) • [www.watts.com](http://www.watts.com)