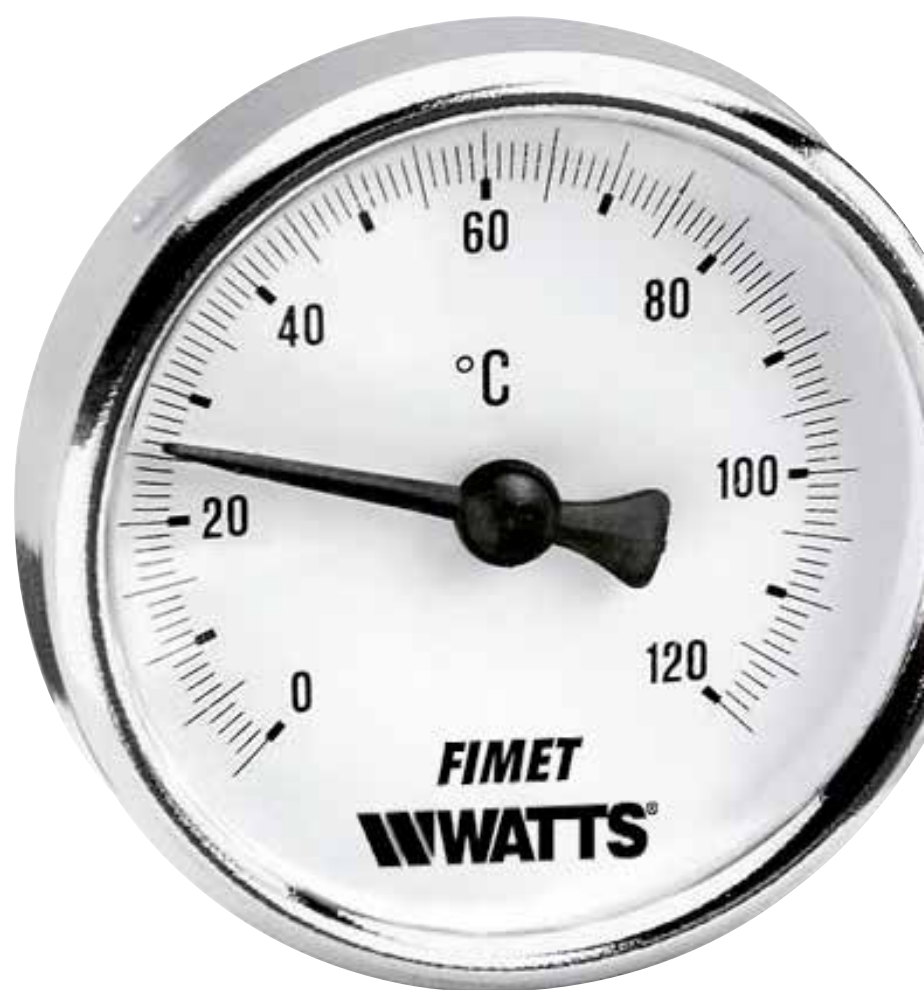


# TB

Bimetal thermometers

## Technical Data Sheet



## Description

Zinc-plated steel case with chrome-plated bezel ring centre back entry. For domestic and industrial heating, gases and liquids not viscous, not aggressive and not crystallising.



### TB-33

DN33 thermometers.

Part No	Stem (mm)	Scale Range	Connec.	Options*	Box/Master	Min. order
PT10447000	30	0-60 °C	G3/8B	G	480/480	480
PT15457002	30	0-80 °C	G3/8B		480/480	480
PT10507003	30	0-120 °C	G3/8B	G	480/480	480
	50	-30+50 °C	G1/2B	G	50/50	50
	50	0-60 °C	G1/2B	G	50/50	50
	50	0-80 °C	G1/2B	G	50/50	50
PT10507000	50	0-120 °C	G1/2B	G	50/50	50



### TB-40

DN40 thermometers.

Part No	Stem (mm)	Scale Range	Connec.	Options*	Box/Master	Min. order
PT10457008	30	0-80 °C	G3/8B	G+LF	240/240	240
PT10507011	30	0-120 °C	G3/8B	G	240/240	240
	50	-30+50 °C	G1/2B	G	50/50	50
	50	0-60 °C	G1/2B	G	50/50	50
	50	0-80 °C	G1/2B	G	50/50	50
	50	0-120 °C	G1/2B	G	50/50	50



### TB-52

DN52 thermometers.

Part No	Stem (mm)	Scale Range	Connec.	Options*	Box/Master	Min. order
	50	-30+50 °C	G1/2B	G	50/50	50
	50	0-60 °C	G1/2B	G	50/50	50
	50	0-80 °C	G1/2B	G	50/50	50
PT205070	50	0-120 °C	G1/2B	G	50/50	50
	50	0-200 °C	G1/2B	G	50/50	50
	50	0-250 °C	G1/2B	G	50/50	50
	50	0-350 °C	G1/2B	G	50/50	50
	100	-30+50 °C	G1/2B	G	50/50	50
	100	0-60 °C	G1/2B	G	50/50	50
	100	0-80 °C	G1/2B	G	50/50	50
PT215070	100	0-120 °C	G1/2B	G	50/50	50
	100	0-200 °C	G1/2B	G	50/50	50
	100	0-250 °C	G1/2B	G	50/50	50
	100	0-350 °C	G1/2B	G	50/50	50
PT21687001	100	0-500 °C	G1/2B	G	50/50	50



## TB-63

DN63 thermometers.

Part No	Stem (mm)	Scale Range	Connec.	Options*	Box/ Master	Min. order
PT309870	50	-30+50 °C	G1/2B	G	50/50	25
PT304470	50	0-60 °C	G1/2B	G	50/50	25
	50	0-80 °C	G1/2B	G	50/50	50
PT305070	50	0-120 °C	G1/2B	G+QISP	50/50	25
	50	0-140 °C	G1/2B	G+QISP	50/50	50
PT30587001	50	0-200 °C	G1/2B	G	50/50	50
	50	0-250 °C	G1/2B	G	50/50	50
PT306470	50	0-350 °C	G1/2B	G	50/50	50
PT31987001	100	-30+50 °C	G1/2B	G	50/50	25
PT31447001	100	0-60 °C	G1/2B	G	50/50	25
	100	0-80 °C	G1/2B	G	50/50	50
PT315070	100	0-120 °C	G1/2B	G+QISP	50/50	25
	100	0-140 °C	G1/2B	G+QISP	50/50	50
PT31587001	100	0-200 °C	G1/2B	G	50/50	50
PT31607001	100	0-250 °C	G1/2B	G	50/50	50
PT316470	100	0-350 °C	G1/2B	G	50/50	50
	100	0-500 °C	G1/2B	G	50/50	50
	150	-30+50 °C	G1/2B	G	50/50	50
PT32507001	150	0-60 °C	G1/2B	G	50/50	50
	150	0-80 °C	G1/2B	G	50/50	50
	150	0-120 °C	G1/2B	G+QISP	50/50	50
PT32607001	150	0-200 °C	G1/2B	G	50/50	50
	150	0-250 °C	G1/2B	G	50/50	50
PT32687000	150	0-350 °C	G1/2B	G	50/50	50
	200	0-500 °C	G1/2B	G	50/50	50
	200	-30+50 °C	G1/2B	G	40/40	40
	200	0-60 °C	G1/2B	G	40/40	40
PT335070	200	0-80 °C	G1/2B	G	40/40	40
	200	0-120 °C	G1/2B	G+QISP	40/40	40
	200	0-200 °C	G1/2B	G	40/40	40
	200	0-250 °C	G1/2B	G	40/40	40
PT33687000	200	0-350 °C	G1/2B	G	40/40	40
	200	0-500 °C	G1/2B	G	40/40	40
	300	-30+50 °C	G1/2B	G	32/32	32
	300	0-60 °C	G1/2B	G	32/32	32
PT34507000	300	0-80 °C	G1/2B	G	32/32	32
	300	0-120 °C	G1/2B	G+QISP	32/32	32
	300	0-200 °C	G1/2B	G	32/32	32
	300	0-250 °C	G1/2B	G	32/32	32
PT34687000	300	0-350 °C	G1/2B	G	32/32	32
	300	0-500 °C	G1/2B	G	32/32	32



## TB-80

DN80 thermometers.

Part No	Stem (mm)	Scale Range	Convec.	Options*	Box/ Master	Min. order
PT409870	50	-30+50 °C	G1/2B	G	50/50	25
PT404470	50	0-60 °C	G1/2B	G	50/50	25
	50	0-80 °C	G1/2B	G	50/50	50
PT405070	50	0-120 °C	G1/2B	G+QISP	50/50	25
	50	0-140 °C	G1/2B	G+QISP	50/50	50
PT406170	50	0-200 °C	G1/2B	G	50/50	50
	50	0-250 °C	G1/2B	G	50/50	50
	50	0-350 °C	G1/2B	G	50/50	50
PT419870	100	-30+50 °C	G1/2B	G	50/50	25
PT414470	100	0-60 °C	G1/2B	G	50/50	25
PT41457001	100	0-80 °C	G1/2B	G	50/50	50
PT415070	100	0-120 °C	G1/2B	G+QISP	50/50	25
	100	0-140 °C	G1/2B	G+QISP	50/50	50
PT415870	100	0-200 °C	G1/2B	G	50/50	50
PT41607001	100	0-250 °C	G1/2B	G	50/50	50
PT41647000	100	0-350 °C	G1/2B	G	50/50	50
PT41687001	100	0-500 °C	G1/2B	G	50/50	50
PT429870	150	-30+50 °C	G1/2B	G	50/50	50
	150	0-60 °C	G1/2B	G	50/50	50
PT424670	150	0-80 °C	G1/2B	G	50/50	50
PT425070	150	0-120 °C	G1/2B	G+QISP	50/50	50
	150	0-200 °C	G1/2B	G	50/50	50
PT42607001	150	0-250 °C	G1/2B	G	50/50	50
	150	0-350 °C	G1/2B	G	50/50	50
PT42687001	150	0-500 °C	G1/2B	G	50/50	50
	200	-30+50 °C	G1/2B	G	40/40	40
	200	0-60 °C	G1/2B	G	40/40	40
PT435070	200	0-80 °C	G1/2B	G	40/40	40
	200	0-120 °C	G1/2B	G+QISP	40/40	40
PT43687001	200	0-200 °C	G1/2B	G	40/40	40
	200	0-250 °C	G1/2B	G	40/40	40
PT43647001	200	0-350 °C	G1/2B	G	40/40	40
	200	0-500 °C	G1/2B	G	40/40	40
	300	-30+50 °C	G1/2B	G	40/40	40
PT445070	300	0-60 °C	G1/2B	G	40/40	40
	300	0-80 °C	G1/2B	G	40/40	40
PT445070	300	0-120 °C	G1/2B	G+QISP	40/40	40
PT44587000	300	0-200 °C	G1/2B	G	40/40	40
	300	0-250 °C	G1/2B	G	40/40	40
	300	0-350 °C	G1/2B	G	40/40	40
PT44687000	300	0-500 °C	G1/2B	G	40/40	40



## TB-100

DN100 thermometers.

Part No	Stem (mm)	Scale Range	Connec.	Options*	Box/ Master	Min. order
PT509870	50	-30+50 °C	G1/2B	G	32/32	16
PT504470	50	0-60 °C	G1/2B	G	32/32	16
	50	0-80 °C	G1/2B	G	32/32	32
PT505070	50	0-120 °C	G1/2B	G+QISP	32/32	16
	50	0-140 °C	G1/2B	G+QISP	32/32	32
PT505870	50	0-200 °C	G1/2B	G	32/32	32
	50	0-250 °C	G1/2B	G	32/32	32
	50	0-350 °C	G1/2B	G	32/32	32
PT519870	100	-30+50 °C	G1/2B	G	32/32	16
PT514470	100	0-60 °C	G1/2B	G	32/32	16
	100	0-80 °C	G1/2B	G	32/32	32
PT515070	100	0-120 °C	G1/2B	G+QISP	32/32	16
	100	0-140 °C	G1/2B	G+QISP	32/32	32
PT515870	100	0-200 °C	G1/2B	G	32/32	32
	100	0-250 °C	G1/2B	G	32/32	32
PT516470	100	0-350 °C	G1/2B	G	32/32	32
PT51687000	100	0-500 °C	G1/2B	G	32/32	32
	150	-30+50 °C	G1/2B	G	32/32	32
PT52447000	150	0-60 °C	G1/2B	G	32/32	32
	150	0-80 °C	G1/2B	G	32/32	32
PT525070	150	0-120 °C	G1/2B	G+QISP	32/32	32
PT52587000	150	0-200 °C	G1/2B	G	32/32	32
PT52607000	150	0-250 °C	G1/2B	G	32/32	32
PT526470	150	0-350 °C	G1/2B	G	32/32	32
	150	0-500 °C	G1/2B	G	32/32	32
PT539870	200	-30+50 °C	G1/2B	G	32/32	32
	200	0-60 °C	G1/2B	G	32/32	32
	200	0-80 °C	G1/2B	G	32/32	32
PT535070	200	0-120 °C	G1/2B	G+QISP	32/32	32
	200	0-200 °C	G1/2B	G	32/32	32
	200	0-250 °C	G1/2B	G	32/32	32
PT536470	200	0-350 °C	G1/2B	G	32/32	32
	200	0-500 °C	G1/2B	G	32/32	32
	300	-30+50 °C	G1/2B	G	20/20	20
PT54447001	300	0-60 °C	G1/2B	G	20/20	20
	300	0-80 °C	G1/2B	G	20/20	20
PT54507001	300	0-120 °C	G1/2B	G+QISP	20/20	20
	300	0-200 °C	G1/2B	G	20/20	20
	300	0-250 °C	G1/2B	G	20/20	20
PT546470	300	0-350 °C	G1/2B	G	20/20	20
	300	0-500 °C	G1/2B	G	20/20	20

### \*Options included

G = Complete with brass pocket

QISP = Dial according to INAIL standards

## Customizations per minimum order quantity

Customizations	Model
G INOX - Stainless steel pocket	TB-33-40-52-63-80-100
Customized dials, other scale ranges or connections on request	TB-33-40-52-63-80-100

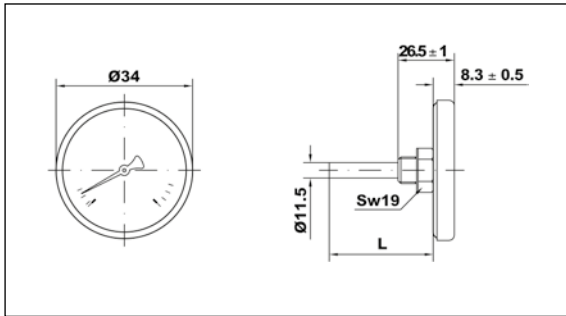
## Features

Materials	TB-33 TB-40	TB-52	TB-63 TB-80 TB-100
Case	Zinc-plated steel	Zinc-plated steel	Zinc-plated steel
Bezel ring	Chrome-plated steel	Chrome-plated steel	Chrome-plated steel
Window	Clear plastic	Clear plastic, > 120°C instrument glass	Clear plastic, > 120°C instrument glass
Dial	Aluminium white	Aluminium white	White plastic > 120°C aluminium
Pointer	Black plastic	Black plastic, > 120°C black aluminium	Black plastic, > 120°C black aluminium
Stem	Zinc-plated steel Ø 9 mm	Zinc-plated steel Ø 9 mm	Zinc-plated steel Ø 9 mm
Temperature element	Bimetal, spiralled	Bimetal, spiralled	
Pocket	Brass, 19 mm flats with fixing screw	Brass, 19 mm flats with fixing screw	Brass up to length 100 mm, above brass-copper 19 mm flats with fixing screw

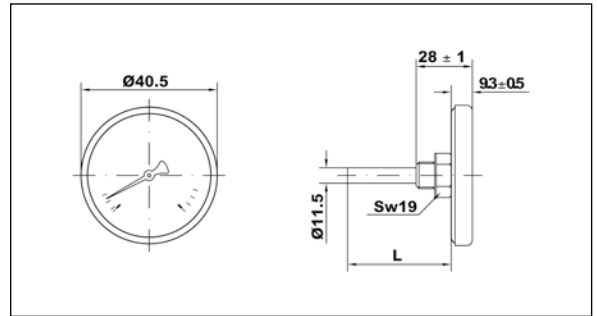
Technical features	
Design	EN 13190
Temperature limits	Ambient: -20 ... +60 °C Medium: as per scale indication Storage: -20 ... +60 °C
Operating temperature	As per scale indication
Temperature effect	Not applicable
Accuracy class	cl. 2
Degree of protection	IP 31 per EN 60 529/IEC 529
Individual weight:	
TB-33	0.046 kg
TB-40	0.060 kg
TB-52	0.100 kg
TB-63	0.110 kg
TB-80	0.150 kg
TB-100	0.220 kg

## Overall dimensions (mm)

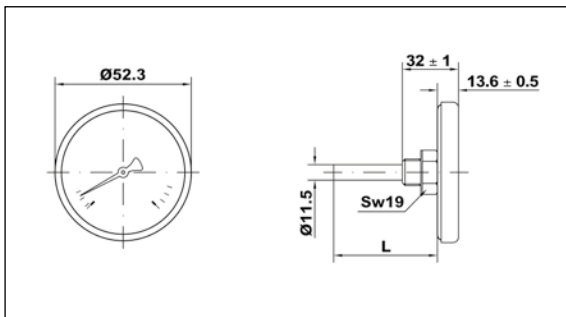
### TB-33



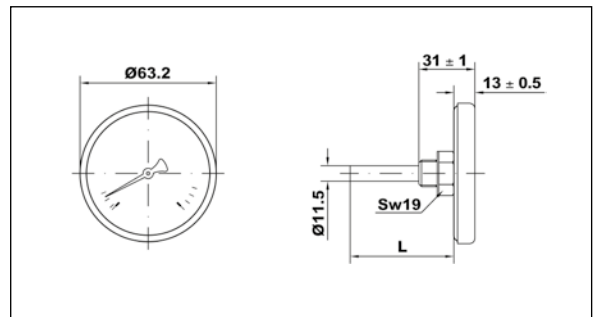
### TB-40



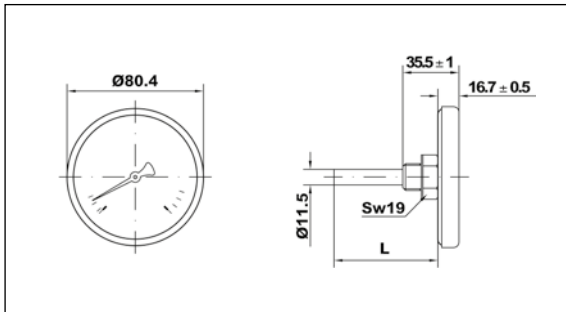
### TB-52



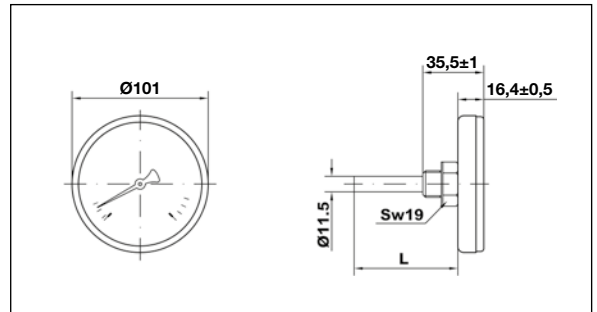
### TB-63



### TB-80



### TB-100



## Specification text

Bimetal Thermometers **Series TB**, Watts brand, for domestic and industrial heating, gases and liquids not viscous, not aggressive and not crystallising. Zinc-plated steel case DN 40-50-63-80-100 **back connection, with chrome-plated steel bezel ring**. Measures range from 0-60°C up to 500°C/-30+50°C. Zinc-plated stem DN 9, length 50-100-150-200-300 mm. **Complete with brass pocket** 19 mm flats with fixing screw. Temperature limits as per scale indication. Accuracy class cl. 2.0. **Compliant with EN 13190.**



---

The descriptions and photographs contained in this product specification sheet are supplied by way of information only and are not binding.  
Watts Industries reserves the right to carry out any technical and design improvements to its products without prior notice. Warranty: All sales and contracts for sale are expressly conditioned on the buyer's assent to Watts terms and conditions found on its website at [www.wattswater.eu](http://www.wattswater.eu). Watts hereby objects to any term, different from or additional to Watts terms, contained in any buyer communication in any form, unless agreed to in a writing signed by an officer of Watts.

---



---

**Watts Industries Italia S.r.l.**  
Via Brenno, 21 • 20853 Biassono (MB) • Italy  
Tel. +39 039 4986.1 • Fax +39 039 4986.222  
[infowattsitatia@wattswater.com](mailto:infowattsitatia@wattswater.com) • [www.watts.com](http://www.watts.com)