

BLK01 RF Series

Wireless leak sensor
Vision® System

Technical Data Sheet



Description

Vision® Wireless enables temperature control of individual rooms in heating and/or cooling systems.

The Vision® system allows full remote control of the system using any browser from your PC or the dedicated smartphone app (iOS or Android) using the system's Wi-Fi connection.

Thanks to the new BLK01 RF leak sensor, Vision® can now detect water leaks and inform the user through the smartphone application.



VISION® WIRELESS BLK01 RF SERIES

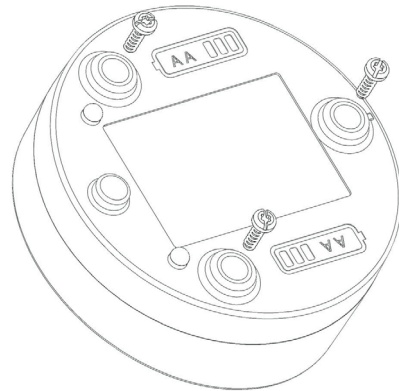
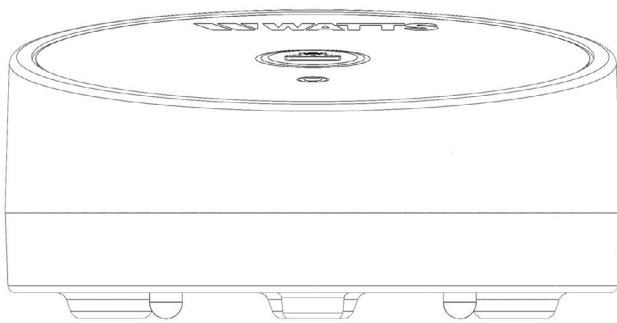
The BLK01 RF wireless leak sensor has been designed to quickly detect any water leaks in the house. An audible alert is triggered to warn people present in the home.

It can also be paired with a BT-CT03 RF central unit in order to benefit from internet connectivity. He can then send an alert to a smartphone via the application.

To facilitate pairing, the sensor has a multicolored LED that informs the user of its status.

Type	Part No.	Description
BLK01 RF	P08298	Vision® Wireless leak sensor

- Audible signal alert when leak detected
- Compatible with Vision® Wireless BT-CT03 RF Central Unit for alert via Smartphone
- Easy pairing
- Multicolor LED indicators for user information



Technical specification	
Operating temperature	0 to 40°C
Shipping and storage temperature	-20°C to +50°C
IP rating	IP67
Dimensions	Ø 85mm - H: 43mm
Power supply	2 AA LR06 1.5V Alkaline batteries, Life ~3 years
Radio frequency	868 MHz, <10mW, Bidirectional communication
Directives	Low voltage (LVD) - Directive 2014/35/EU Electromagnetic compatibility (EMC) - Directive 2014/30/EU Radio equipment - Directive 2014/53/EU Restriction of the use of certain hazardous substances (RoHS) - Directive 2011/65/EU

LED Information

Technical specifications	
Orange blinking	Device not paired by RF
Green led steady	Device linked by RF with BT-CT03 central unit
Green / Red blinking + buzzer	Leak detected
Red led steady	Sensor Error
Red blinking	Low battery indicator

Wireless Leak Sensor

- Not Paired
- System Operational
- Battery Life Warning
- Sensor Error
- Leak Detected

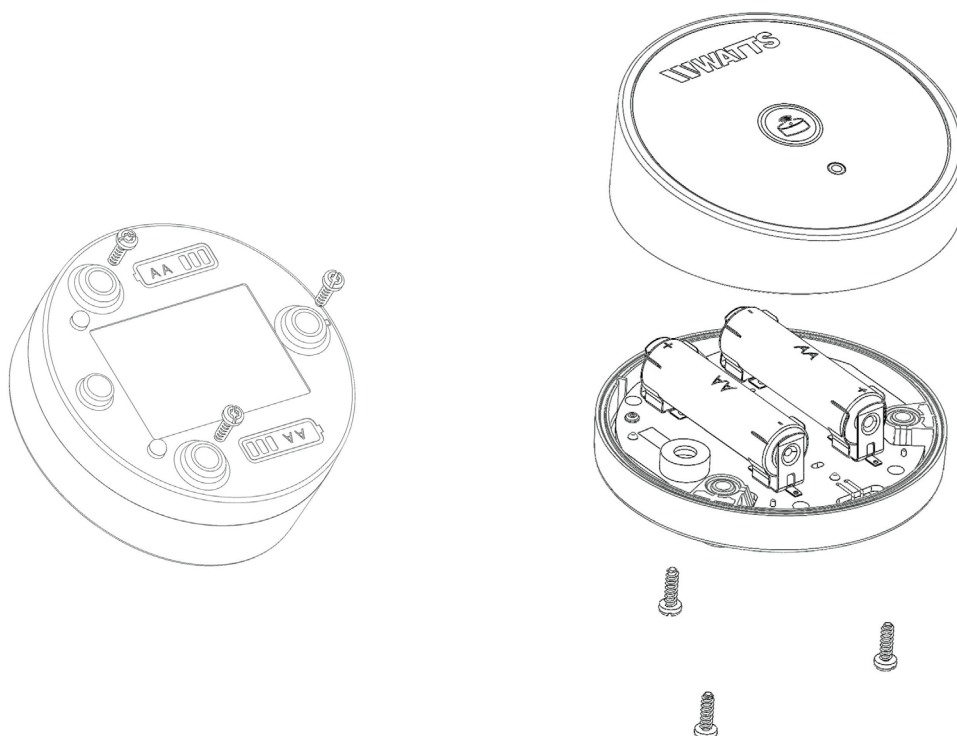
Product details
available from
wattswater.eu

Compatibility

The Vision® wireless leak sensor BLK01 RF have been designed to work with the generation 03 of the Vision® system Centrale Unit:

Type	Part No.	Description
BT-CT03 RF-WiFi	P08630	WATTS Vision® Central control unit white
BT-CT03 RF-WiF	P08702	WATTS Vision® Central control unit black

Battery power supply



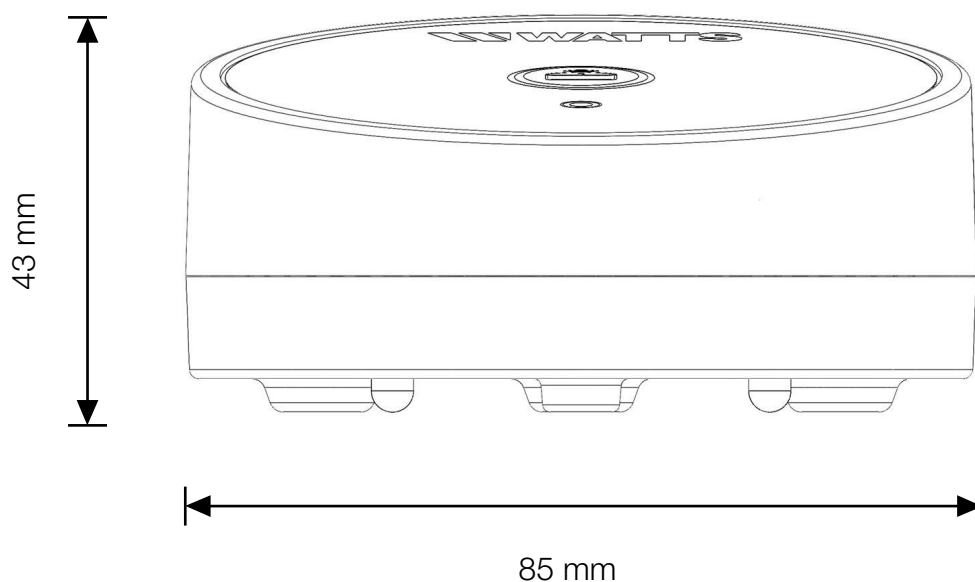
Specification text

Wireless water leak sensor for domestic use. An audible signal alerts the occupants as soon as a leak is detected.

The leak sensor is equipped with wireless communication with a Vision® central unit to alert the user using the dedicated smartphone application.

The pairing between the sensor and the central unit is done by a simple button. The status of the product is communicated by a multicolored LED.

Overall dimensions (mm)



« The descriptions and photographs contained in this product specification sheet are supplied by way of information only and are not binding.
Watts Industries reserves the right to carry out any technical and design improvements to its products without prior notice. Warranty: All sales and contracts for sale are expressly conditioned on the buyer's assent to Watts terms and conditions found on its website at www.wattswater.co.uk - Watts hereby objects to any term, different from or additional to Watts terms, contained in any buyer communication in any form, unless agreed to in a writing signed by an officer of Watts. »



Watts Industries France

1590 avenue d'Orange • CS 10101 Sorgues 84275 VEDENE CEDEX • FRANCE
Tél. +33 (0)4 90 33 28 28 • Fax +33 (0)4 90 33 28 29/39
contact@wattswater.com • www.wattswater.fr