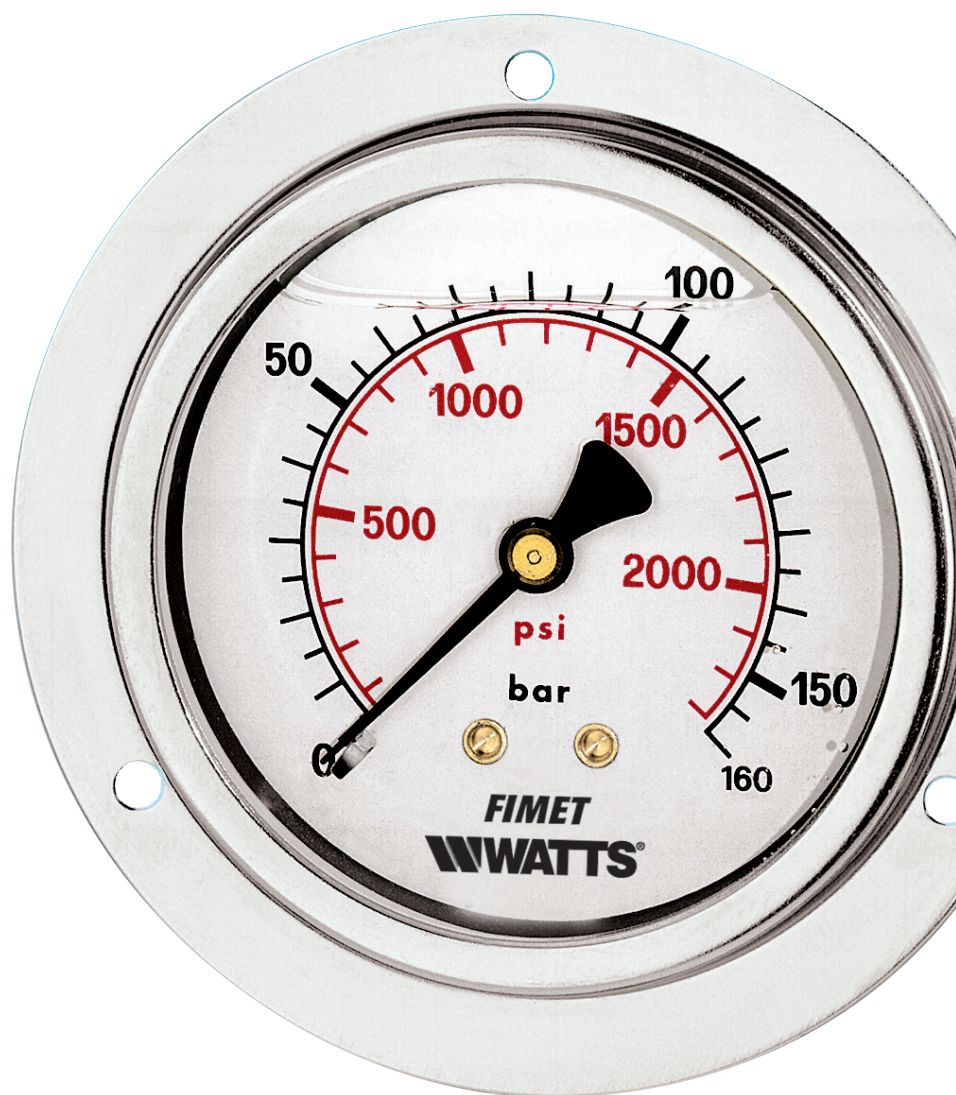


# MG3B-INOX

Bourdon tube pressure gauges

## Technical Data Sheet



## Description

Glycerine filled stainless steel case centre back entry with 3-hole panel mounting flange. For pneumatic industry, gases and liquids not viscous, not aggressive and not crystallising.

### MG3B-INOX 63

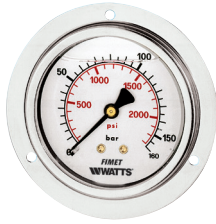
DN63 pressure gauges.



Part No	Pressure Range	Connection	Options*	Box/Master	Min. order
	-76-0 cm Hg	G1/4B		40/40	40
PG309914LF	-1/0 bar/in Hg	G1/4B	D+LF	40/40	5
	-1/0.6 bar	G1/4B		40/40	40
PG3503DJ00	-1+1.5 bar/in hg	G1/4B	D	40/40	40
PG3504BJ00	-1+3 bar	G1/4B		40/40	40
	-1+5 bar	G1/4B		40/40	40
	-1+9 bar	G1/4B		40/40	40
	-1+15 bar	G1/4B		40/40	40
PG340114LF	0-1 bar/psi	G1/4B	D+LF	40/40	40
PG340214	0-1.6 bar/psi	G1/4B	D	40/40	5
PG350314LF	0-2.5 bar/psi	G1/4B	D+LF	40/40	5
PG350414LF	0-4 bar/psi	G1/4B	D+LF	40/40	40
PG350614LF	0-6 bar/psi	G1/4B	D+LF	40/40	5
PG351014LF	0-10 bar/psi	G1/4B	D+LF	40/40	5
PG351214LF	0-12 bar/psi	G1/4B	D+LF	40/40	40
PG351614LF	0-16 bar/psi	G1/4B	D+LF	40/40	5
PG352014LF	0-20 bar/psi	G1/4B	D+LF	40/40	40
PG352514LF	0-25 bar/psi	G1/4B	D+LF	40/40	5
PG354014LF	0-40 bar/psi	G1/4B	D+LF	40/40	5
PG364414LF	0-60 bar/psi	G1/4B	D+LF	40/40	5
PG364814LF	0-100 bar/psi	G1/4B	D+LF	40/40	5
PG365414LF	0-160 bar/psi	G1/4B	D+LF	40/40	5
PG366014LF	0-250 bar/psi	G1/4B	D+LF	40/40	5
PG366214LF	0-315 bar/psi	G1/4B	D+LF	40/40	40
PG366614LF	0-400 bar/psi	G1/4B	D+LF	40/40	5
PG367014LF	0-600 bar/psi	G1/4B	D+LF	40/40	40

## MG3B-INOX 100

DN100 pressure gauges.



Part No	Pressure Range	Connection	Options*	Box/Master	Min. order
	-76-0 cm Hg	G1/2B		1/10	10
PG509916LF	-1/0 bar/in Hg	G1/2B	D+LF	1/10	1
	-1/0.6 bar	G1/2B		1/10	10
	-1+1.5 bar	G1/2B		1/10	10
PG5504DL01	-1+3 bar	G1/2B	D+LF+Z0	1/10	10
	-1+5 bar	G1/2B		1/10	10
PG5501DL00	-1+9 bar	G1/2B		1/10	1
	-1+15 bar	G1/2B		1/10	10
PG540116LF	0-1 bar/psi	G1/2B	D+LF	1/10	1
PG5402DL00	0-1.6 bar/psi	G1/2B	D	1/10	1
PG550316LF	0-2.5 bar/psi	G1/2B	D+LF	1/10	1
PG550416LF	0-4 bar/psi	G1/2B	D+LF	1/10	1
PG550616LF	0-6 bar/psi	G1/2B	D+LF	1/10	1
PG551016LF	0-10 bar/psi	G1/2B	D+LF	1/10	1
PG551216LF	0-12 bar/psi	G1/2B	D+LF	1/10	1
PG551616LF	0-16 bar/psi	G1/2B	D+LF	1/10	1
PG552016LF	0-20 bar/psi	G1/2B	D+LF	1/10	1
PG552516LF	0-25 bar/psi	G1/2B	D+LF	1/10	1
PG554016LF	0-40 bar/psi	G1/2B	D+LF	1/10	1
PG564416LF	0-60 bar/psi	G1/2B	D+LF	1/10	1
PG564816LF	0-100 bar/psi	G1/2B	D+LF	1/10	1
PG565416LF	0-160 bar/psi	G1/2B	D+LF	1/10	1
PG566016LF	0-250 bar/psi	G1/2B	D+LF	1/10	1
PG566216LF	0-315 bar/psi	G1/2B	D+LF	1/10	1
PG566616LF	0-400 bar/psi	G1/2B	D+LF	1/10	1
PG567016LF	0-600 bar/psi	G1/2B	D+LF	1/10	1

### \*Options included

D = Dual scale bar/psi (black/red)  
 LF = Fimet Watts logo on the dial  
 Z0 = Without restrictor hole 3 mm

## Customizations per minimum order quantity

Customizations	Model
Z - Restrictor hole 0.5 mm for ranges < 40 bar	MG3B-INOX 63/100
Z0 - Without restrictor hole 3 mm for ranges ≥ 40 bar	MG3B-INOX 63/100
RN - Zero filling for ambient temperatures -40° +60 °C	MG3B-INOX 63/100
Customized dials, other scale ranges or connections on request	MG3B-INOX 63/100

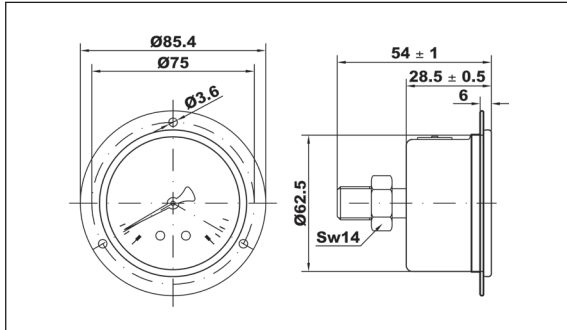
## Features

Materials	MG3B-INOX 63	MG3B-INOX 100
Case + roll on bezel	Stainless steel AISI 304 with blow-out device	Stainless steel AISI 304 with blow-out device
Case + roll on bezel	Polycarbonate	Vedril PMMA
Dial	White aluminium	White aluminium
Pointer	Black plastic	Black plastic
Pressure connection	Cu-alloy, 14 mm flats ≥ 40 bar restrictor hole 0.5 mm	Cu-alloy, 21 mm flats ≥ 40 bar restrictor hole 0.5 mm
Pressure element	Bourdon tube Cu-alloy, soft soldered ≤ 60 bar C-type, > 60 bar helical type Sn-Ag soldered	Bourdon tube Cu-alloy, soft soldered ≤ 60 bar C-type, > 60 bar helical type Sn-Agsoldered
Movement	Cu-alloy	Cu-alloy
Liquid filling	Glycerine 99.5%	Glycerine 99.5%

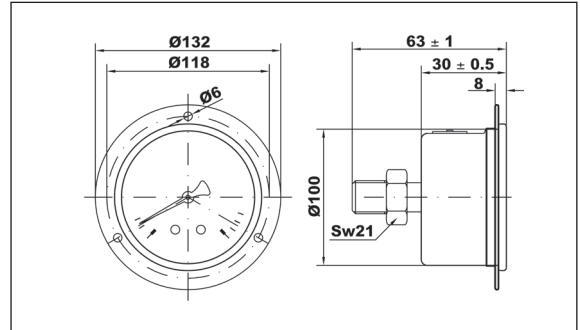
Technical features	
Design	<i>EN 837-1</i>
Working pressure	Steady: 75% of full scale value Fluctuating: 60% of full scale value Short time: full scale value
Temperature limits	Ambient: -20 ... +60°C Medium: +60°C maximum Storage: -20 ... +60°C
Temperature effect	Deviation from reference temperature (+20°C): ±0,04%/1K of the span
Accuracy class	cl. 1.6
Degree of protection	IP 65 for EN 60 529 / IEC 529
Individual weight:	
MG3B-INOX 63	0.224 kg
MG3B-INOX 100	0.585 kg

## Overall dimensions (mm)

### MG3B-INOX 63



### MG3B-INOX 100



## Specification text

Bourdon tube pressure gauges, **MG3B-INOX Series**, Watts brand, for industry, gases and liquids not viscous, not aggressive and not crystallizing. **Glycerine filled inox case** DN 63-100 mm **back entry with 3 hole for panel mounting flange**. Vacuum measures range -1/0 at high pressure up to 600 bar. Temperature limits + 60°C, Accuracy class 1.6. **Compliant with EN 837-1**.



---

The descriptions and photographs contained in this product specification sheet are supplied by way of information only and are not binding.  
Watts Industries reserves the right to carry out any technical and design improvements to its products without prior notice. Warranty: All sales and contracts for sale are expressly conditioned on the buyer's assent to Watts terms and conditions found on its website at [www.wattsindustries.com](http://www.wattsindustries.com). Watts hereby objects to any term, different from or additional to Watts terms, contained in any buyer communication in any form, unless agreed to in a writing signed by an officer of Watts.

---



---

**Watts Industries Italia S.r.l.**  
Via Brenno, 21 • 20853 Biassono (MB) • Italy  
Tel. +39 039 4986.1 • Fax +39 039 4986.222  
[infowattsitatia@wattswater.com](mailto:infowattsitatia@wattswater.com) • [www.watts.com](http://www.watts.com)