



Components for oil-fired heating systems Serie MB-LACPT

Main features

- Multifunction valves Series MULTIBLOC.
- Fire-fighting lever LACPT.

Description

Multifunction valves Series MULTIBLOC.

These multifunction valves make a link between the fuel tank and the burner pipelines with a 1" connection.

MB-MULTIBLOC



Multifunction dip unit with counterweight for connection between the fuel tank and burner. Combines 5 functions: burner suction and return, check valve, quick shut-off lever and connection for remote level indicator TELEVAR, complete with kit of fittings. Brass body CW617N. Perbunan dip elements. 1" male tank connection. 3/8" female suction and return connections. TELEVAR level indicator, pipe dia. 4 x 6 mm.

Type	Part.no	Dn	Dip element	Weight (Kg)
MB	0108100	1" M x 3/8" F	L=220 cm	0,75
MB	0108500	1" M x 3/8" F	L=320 cm	0.85

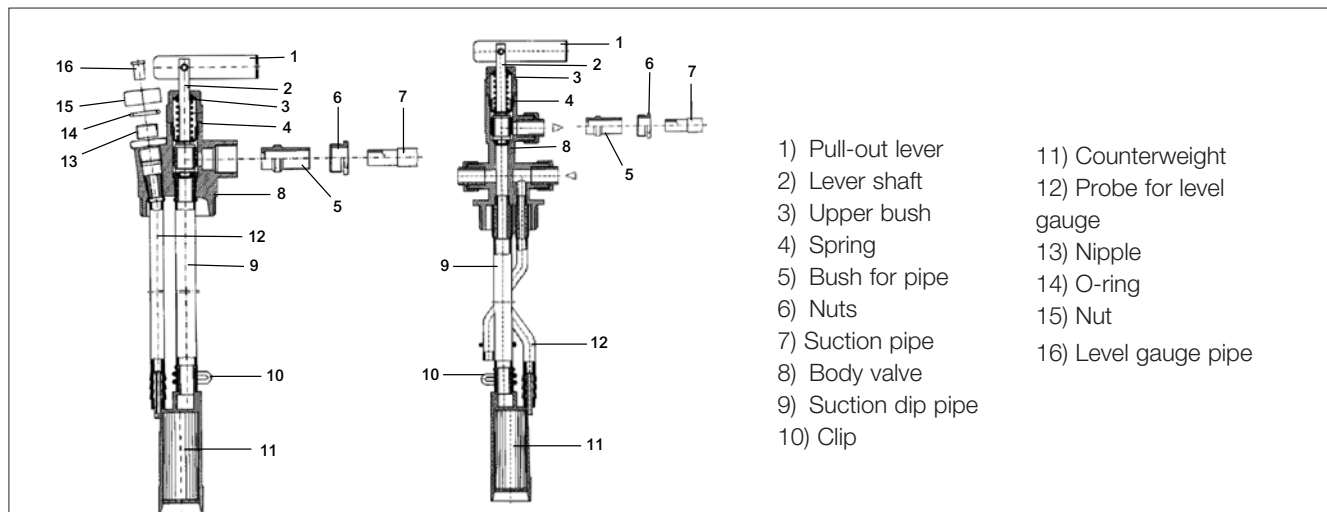
MKF200-MULTIBLOC



Multi-function dip unit (see MB description) with overlapping 3/8" male connections and metal bushes for pipe 8 x 10 mm. The body is provided with an extra 3/8" male connection of suction from a second bank-mounted tank. The return pipe from the burner is conveyed to the tank bottom.

Type	Part.no	Dn	Dip element	Weight (Kg)
MKF200	0115110	1"	L=200 cm	0,80

Technical features



Design features

Body	Brass
Suction pipe	Perbunan
Check-valve	Brass with NBR gasket
Pull-out lever	Tropicalized steel

Technical features

Maximum pressure	2 bar
Working temperature	5°C – 60°C
Suction and return pipe connection	3/8" F with bush for pipe to Ø 8, Ø 10, Ø 12
Level indicator connection	Ø 4 x 6 mm
Dip length	220 cm (MB220), 320 cm (MB320), 200 cm (MKF200)
Tank connection	Male 1"

Application

When the burner starts to work, it produces a depression in the suction line. This low pressure lifts the dip stop-valve from the sealing base and retrieves the fuel in suction line. When the burner stops, without depression, there isn't the suction effect and the stop valve, with its weight, closes the base and blocks the fuel way. The stop valve works as a check valve: it avoids the discharge of the suction line when the burner stops. The upper fire-fighting lever is used to stop quickly the flow of fuel manually towards the central heating in case of fire. It is installed in combination with the Fire-fighting lever LACPT.

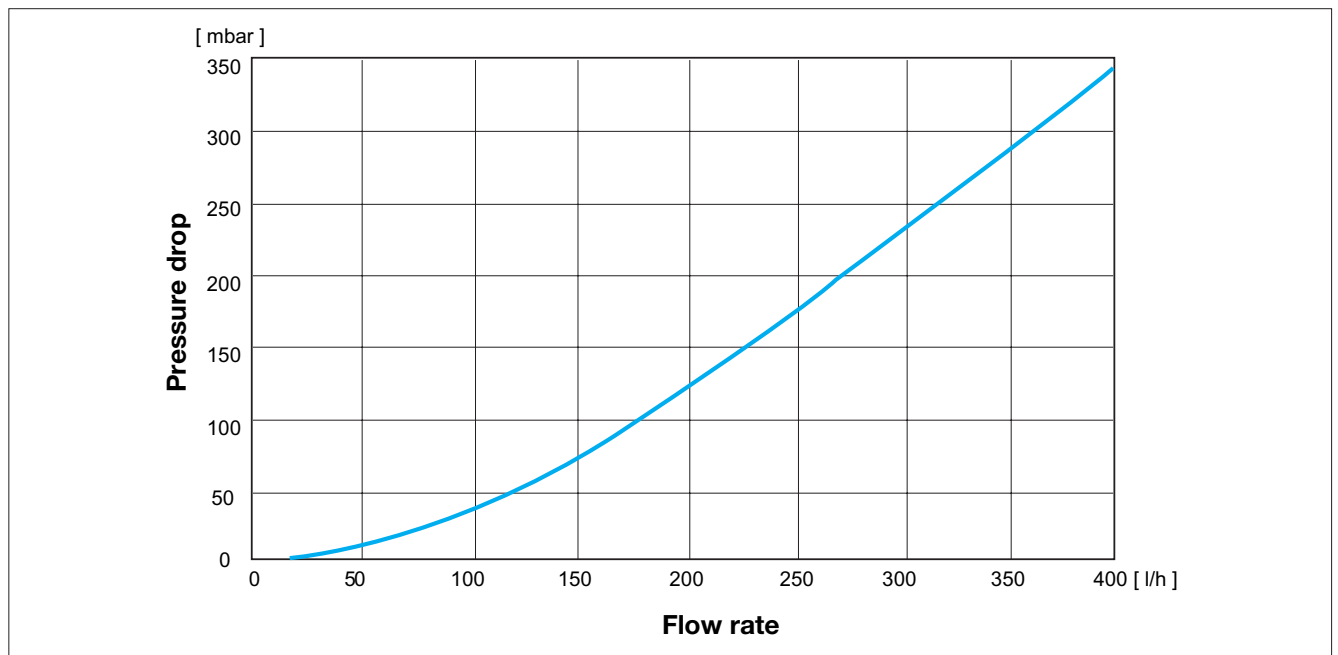
Installation

The unit is installed over the tank, usually in the man hole, through a 1" female connection. The suction tube has joined to the connection marked with the arrow towards the outside of the valve (using the right fittings). In the connection marked with the arrow towards the interior of the valve, it's attached the diesel oil pipe coming from the burner return pipe (using also accompanied fittings). At the top of the group, it's attached the level gauge TELEVAR pipe.

The upper fire-fighting lever is used to stop quickly the flow of fuel manually towards the central heating in case of fire. It is installed in combination with the Fire-fighting lever LACPT.

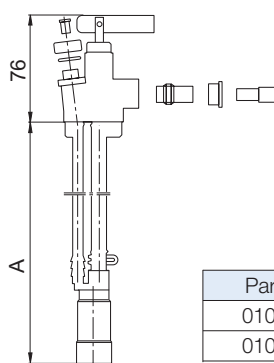
In the case of using the MKF200 type, there is one extra 3/8" male connection of suction for a second bank-mounted tank, removing the cap of the opposite side of the suction pipe connection.

Pressure drop/Flow rate



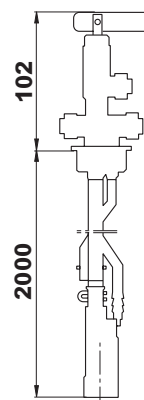
Overall dimensions (mm)

MB



Part no.	A (mm)
0108100	2200
0108500	3200

MKF



Description

Fire-fighting lever LACPT.

The fire-fighting lever LACPT Series, installed in combination with the shut-off valves Series RIS and JH, are used to stop the flow of fuel manually towards the central heating in case of fire. For their function of safety, they are usually positioned outside of the thermal power in the vicinity of the shut-off button of the electrical current.



LACPT

Fire-fighting lever for cable-operation of shut-off valves (MULTIBLOC, RIS), also includes 10m of PVC cladded flexible steel cable, 3 intermediate slots and 3 cable clamps for connection of ends. Complete with transparent protective cover. Base plate and red lever of special plastic. Box containing 4 screws and wall mounting plugs.

Type	Part.no	Weight (Kg)
LACPT	0153130	0,26

CL50

Cable of braided steel, flexible and PVC coated. Used for the control of the shut-off valves through fire lever. Roll pack of 50 m, with 10 cable clamp terminals.



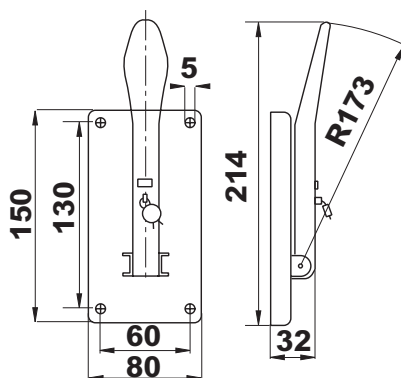
Type	Part.no	Diameter of the cable	Weight (Kg)
CL50	0115110	1,87 mm	0,80

Installation

The lever is positioned outside of the thermal power near the shut-off button of the electrical current, in the right position to be easily operated in case of fire. After installing the base with the screws and wall mounting plugs, attach the steel cable to the lever through the hole and secure it with the screw. Roll out the cable to the lever of the shut-off valve or Multibloc group using the intermediate slots. If the distance is longer, use the 50 meters coil, model CL50. Once everything is in place with the valve open and the lever stuck on the base, seal the lever with the seal.

Overall dimensions (mm)

LACPT



Le descrizioni e le fotografie contenute nel presente documento si intendono fornite a semplice titolo informativo e non impegnativo. Watts Industries si riserva il diritto di apportare, senza alcun preavviso, qualsiasi modifica tecnica ed estetica ai propri prodotti.



Watts Water Technologies, Inc.

Watts Industries Italia S.r.l.

Via Brenno, 21 • 20853 Biassono (MB) • Italia

Tel. +39 039 4986.1 • Fax +39 039 4986.222

infowattsitalia@wattswater.com • www.wattsindustries.com