

# M3A-ABS

Bourdon tube pressure gauges

## Technical Data Sheet



## Description

Dry plastic case centre back entry. For industry, gases and liquids not viscous, not aggressive and not crystallising.



### M3A-ABS 40

DN40 pressure gauges.

Part No	Pressure Range	Connection	Options*	Box/Master	Min.order
PB119917LF	-1/0 bar/inHg	R1/8	D+LF+C	240/240	10
PB110117LF	0-1 bar/psi	R1/8	D+LF+C	240/240	10
	0-1.6 bar/psi	R1/8		240/240	240
PB120317LF	0-2.5 bar/psi	R1/8	D+LF+C	240/240	10
PB120417LF	0-4 bar/psi	R1/8	D+LF+C	240/240	10
PB120617LF	0-6 bar/psi	R1/8	D+LF+C	240/240	10
PB121017LF	0-10 bar/psi	R1/8	D+LF+C	240/240	10
PB121217LF	0-12 bar/psi	R1/8	D+LF+C	240/240	10
PB121617LF	0-16 bar/psi	R1/8	D+LF+C	240/240	240
PB122017LF	0-20 bar/psi	R1/8	D+LF+C	240/240	10
	0-25 bar/psi	R1/8		240/240	240
	0-40 bar/psi	R1/8		240/240	240
PB1344DE00	0-60 bar/psi	R1/8	D+C	240/240	240
PB1348DE00	0-100 bar/psi	R1/8	D+C	240/240	240
PB1354DE00	0-160 bar/psi	R1/8	D+C	240/240	240
	0-250 bar/psi	R1/8		240/240	240
PB1362DE01	0-315 bar/psi	R1/8	D+C	240/240	240
	0-400 bar/psi	R1/8		240/240	240



## M3A-ABS 50

DN50 pressure gauges.

Part No	Pressure Range	Connection	Options*	Box/Master	Min.order
PB219917LF	-1/0 bar/inHg	R1/8	D+LF+C	100/100	100
PB210117LF	0-1 bar/psi	R1/8	D+LF+C	100/100	10
PB210217	0-1.6 bar/psi	R1/8	D+C	100/100	100
PB220317LF	0-2.5 bar/psi	R1/8	D+LF+C	100/100	10
PB220417LF	0-4 bar/psi	R1/8	D+LF+C	100/100	10
PB220617LF	0-6 bar/psi	R1/8	D+LF+C	100/100	10
PB221017LF	0-10 bar/psi	R1/8	D+LF+C	100/100	10
PB221217LF	0-12 bar/psi	R1/8	D+LF+C	100/100	10
PB221617LF	0-16 bar/psi	R1/8	D+LF+C	100/100	100
PB222017LF	0-20 bar/psi	R1/8	D+LF+C	100/100	100
	0-25 bar/psi	R1/8		100/100	100
	0-40 bar/psi	R1/8		100/100	100
	0-60 bar/psi	R1/8		100/100	100
	0-100 bar/psi	R1/8		100/100	100
	0-160 bar/psi	R1/8		100/100	100
PB2360DE00	0-250 bar/psi	R1/8	D+C	100/100	100
PB2362DE00	0-315 bar/psi	R1/8	D+C	100/100	100
	0-400 bar/psi	R1/8		100/100	100
PB220318LF	0-2.5 bar/psi	R1/4	D+LF+C	100/100	100
PB220418LF	0-4 bar/psi	R1/4	D+LF+C	100/100	100
PB220618LF	0-6 bar/psi	R1/4	D+LF+C	100/100	10
PB221018LF	0-10 bar/psi	R1/4	D+LF+C	100/100	10
PB221218LF	0-12 bar/psi	R1/4	D+LF+C	100/100	10
PB221618LF	0-16 bar/psi	R1/4	D+LF+C	100/100	100



## M3A-ABS 63

DN63 pressure gauges.

Part No	Pressure Range	Connection	Options*	Box/Master	Min.order
PB319918LF	-1/0 bar/inHg	R1/4	D+LF+C	100/100	10
PB310118LF	0-1 bar/psi	R1/4	D+LF+C	100/100	100
PB310218	0-1.6 bar/psi	R1/4	D+C	100/100	100
PB320318LF	0-2.5 bar/psi	R1/4	D+LF+C	100/100	10
PB320418LF	0-4 bar/psi	R1/4	D+LF+C	100/100	10
PB320618LF	0-6 bar/psi	R1/4	D+LF+C	100/100	10
PB321018LF	0-10 bar/psi	R1/4	D+LF+C	100/100	10
PB321218LF	0-12 bar/psi	R1/4	D+LF+C	100/100	10
PB321618LF	0-16 bar/psi	R1/4	D+LF+C	100/100	10
PB322018LF	0-20 bar/psi	R1/4	D+LF+C	100/100	100
PB3225DF00	0-25 bar/psi	R1/4	D+LF+C	100/100	100
PB3240DF00	0-40 bar/psi	R1/4	D+LF+C	100/100	100
	0-60 bar/psi	R1/4		100/100	100
	0-100 bar/psi	R1/4		100/100	100
	0-160 bar/psi	R1/4		100/100	100
	0-250 bar/psi	R1/4		100/100	100
	0-315 bar/psi	R1/4		100/100	100
	0-400 bar/psi	R1/4		100/100	100

## M3A-ABS 80

DN80 pressure gauges.



Part No	Pressure Range	Connection	Options*	Box/Master	Min. order
	-1/0 bar	G3/8B		50/50	100
	0-1 bar	G3/8B		50/50	100
	0-1.6 bar	G3/8B		50/50	100
	0-2.5 bar	G3/8B		50/50	100
	0-4 bar	G3/8B		50/50	100
PB4206BC00	0-6 bar	G3/8B	C+LF	50/50	100
	0-10 bar	G3/8B		50/50	100
	0-16 bar	G3/8B		50/50	100
PB4225BC00	0-25 bar	G3/8B	C	50/50	100
	0-40 bar	G3/8B		50/50	100
	0-60 bar	G3/8B		50/50	100
	0-100 bar	G3/8B		50/50	100
	0-160 bar	G3/8B		50/50	100
	0-250 bar	G3/8B		50/50	100
	0-315 bar	G3/8B		50/50	100
	0-400 bar	G3/8B		50/50	100

### \*Options included

D = Dual scale bar/psi (black/red)

C = Accuracy class 1.6

LF = Fimet Watts logo on the dial

## Customization per minimum order quantity

Customizations	Model
AT - PTFE sealing ring on parallel threads only	M3A-ABS 40/50/63/80
T2 - -40°C/+90°C - Aluminium dial + aluminium pointer, (QA+) Cl. 2,5	M3A-ABS 40/50/63/80
Z - Restrictor hole 0.5 mm	M3A-ABS 40/50/63/80
Z3 - Restrictor hole 0.35 mm	M3A-ABS 40/50/63/80
MS - Silicone movement for dampened pointer travel	M3A-ABS 50/63/80
Customized dials, other scale ranges or connections on request	M3A-ABS 40/50/63/80



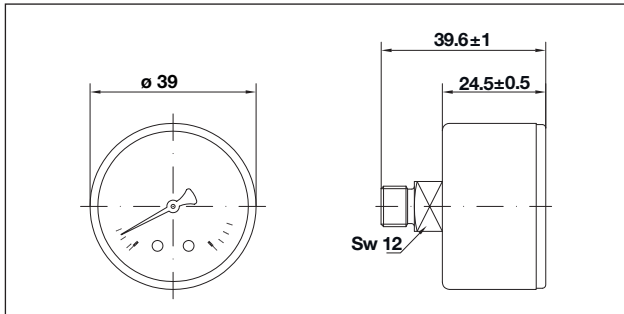
## Features

Materials	
Case	Black plastic
Window	Clear plastic
Dial	White plastic
Pointer	Black plastic
Pressure connection	Cu-alloy, 12 mm flats (DN 40) - 14 mm flats ( $\geq$ DN 50)
Pressure element	Bourdon tube Cu-alloy, soft soldered $\leq$ 60 bar C-type, $>$ 60 bar helical type Sn-Ag soldered
Movement	Cu-alloy

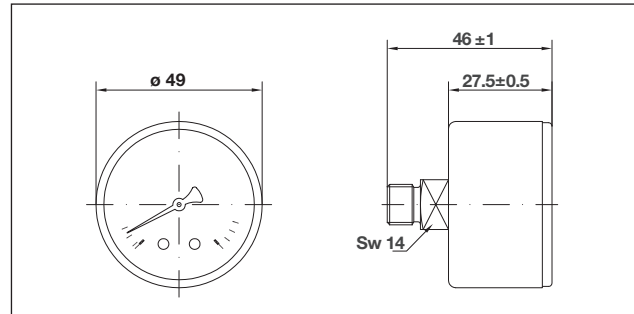
Technical features	
Design	EN 837-1
Working pressure	Steady: 75 % of full scale value Fluctuating: 60 % of full scale value Short time: full scale value
Temperature limits	Ambient: -40 ... +60 °C Medium: +60 °C maximum Storage: -40 ... +60 °C
Temperature effect	Deviation from reference temperature (+20°C): $\pm 0,04\%/1K$ of the span
Accuracy class	CI 1.6
Degree of protection	IP 31 per EN 60 529 / IEC 529
Individual weight:	
M3A-ABS 40	0.048 kg
M3A-ABS 50	0.089 kg
M3A-ABS 63	0.094 kg
M3A-ABS 80	0.109 kg

## Overall dimensions (mm)

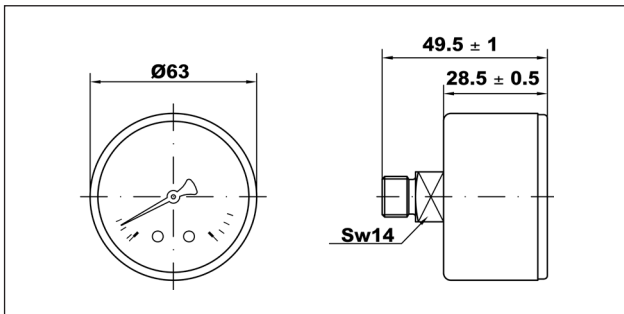
### M3A-ABS 40



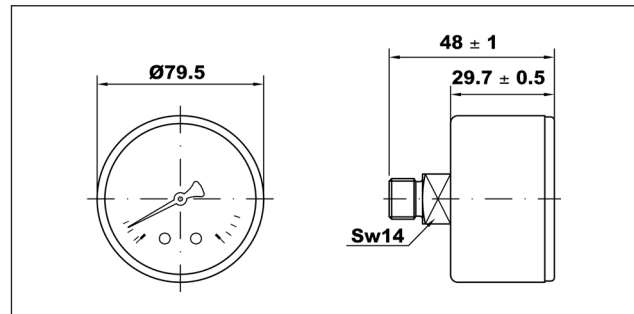
### M3A-ABS 50



### M3A-ABS 63



### M3A-ABS 80



## Specification text

Bourdon tube pressure gauges, **M3A-ABS Series**, WATTS brand, for industry, gases and liquids not viscous, not aggressive and not crystallising. **Dry plastic case** DN 40-50-63-80 mm **centre back entry**. Vacuum measures range -1/0 at high pressure up to 400 bar. Temperature limits + 60°C. Accuracy class 1.6.

**Compliant with EN 837-1.**

The descriptions and photographs contained in this product specification sheet are supplied by way of information only and are not binding.

Watts Industries reserves the right to carry out any technical and design improvements to its products without prior notice. Warranty: All sales and contracts for sale are expressly conditioned on the buyer's assent to Watts terms and conditions found on its website at [www.wattsindustries.com](http://www.wattsindustries.com). Watts hereby objects to any term, different from or additional to

Watts terms, contained in any buyer communication in any form, unless agreed to in a writing signed by an officer of Watts.

**WATTS**<sup>®</sup>

**Watts Industries Italia S.r.l.**

Via Brenno, 21 • 20853 Biassono (MB) • Italy

Tel. +39 039 4986.1 • Fax +39 039 4986.222

[infowattsitalia@wattswater.com](mailto:infowattsitalia@wattswater.com) • [www.wattsindustries.com](http://www.wattsindustries.com)