

M3A-ABS/R

Bourdon tube pressure gauges

Technical Data Sheet



Description

Dry plastic case centre back entry red adjustable pointer on window. For heating industry, gases and liquids not viscous, not aggressive and not crystallizing.



M3A-ABS 50/R

DN50 pressure gauges.

Part No	Pressure Range	Connection	Options*	Box/Master	Min. order
	-1/0 bar	G1/4B		100/100	100
	0-1 bar	G1/4B		100/100	100
	0-1.6 bar	G1/4B		100/100	100
	0-2.5 bar	G1/4B		100/100	100
PB2204BB16	0-4 bar	G1/4B	R+C+LF	100/100	100
PB2206BB10	0-6 bar	G1/4B	R+C+LF	100/100	10
PB2210BB09	0-10 bar	G1/4B	R+C+LF	100/100	10
PB2216BB04	0-16 bar	G1/4B	R+C+LF	100/100	100
PB2225BB00	0-25 bar	G1/4B	R+C+LF	100/100	100
PB224001	0-40 bar	G1/4B	R	100/100	100
	0-60 bar	G1/4B		100/100	100
	0-100 bar	G1/4B		100/100	100
	0-160 bar	G1/4B		100/100	100
	0-250 bar	G1/4B		100/100	100
	0-315 bar	G1/4B		100/100	100
	0-400 bar	G1/4B		100/100	100



M3A-ABS 63/R

DN63 pressure gauges.

Part No	Pressure Range	Connection	Options*	Box/Master	Min. order
	-1/0 bar	G1/4B		100/100	100
	0-1 bar	G1/4B		100/100	100
	0-1.6 bar	G1/4B		100/100	100
PB3203BB00	0-2.5 bar	G1/4B	R+C	100/100	100
PB3204BB06	0-4 bar	G1/4B	R+C+LF+QISP	100/100	10
PB3206BB06	0-6 bar	G1/4B	R+C+LF+QISP	100/100	10
PB3210BB05	0-10 bar	G1/4B	R+C+LF+QISP	100/100	10
PB3216BB07	0-16 bar	G1/4B	R+C+LF+QISP	100/100	10
PB3225BB00	0-25 bar	G1/4B	R+C+LF	100/100	10
PB324001	0-40 bar	G1/4B	R	100/100	100
	0-60 bar	G1/4B		100/100	100
	0-100 bar	G1/4B		100/100	100
	0-160 bar	G1/4B		100/100	100
	0-250 bar	G1/4B		100/100	100
	0-315 bar	G1/4B		100/100	100
	0-400 bar	G1/4B		100/100	100

*Options included

R = Red pointer on window
 QISP = Dial according to INAIL standards
 C = Accuracy class 1.6
 LF = Fimet Watts logo on the dial

Customization per minimum order quantity

Customizations	Model
V - Adjustable red mark pointer with green sector ¹	M3A-ABS 50/63/R
T2 - -40°C/+90°C - Aluminium dial + aluminium pointer, (QA+) only Class 2.5	M3A-ABS 50/63/R
Z - Restrictor hole 0.5 mm	M3A-ABS 50/63/R
Z3 - Restrictor hole 0.35 mm	M3A-ABS 50/63/R
MS - Silicone movement for dampened pointer travel	M3A-ABS 50/63/R
Customized dials, other scale ranges or connections on request	M3A-ABS 50/63/R



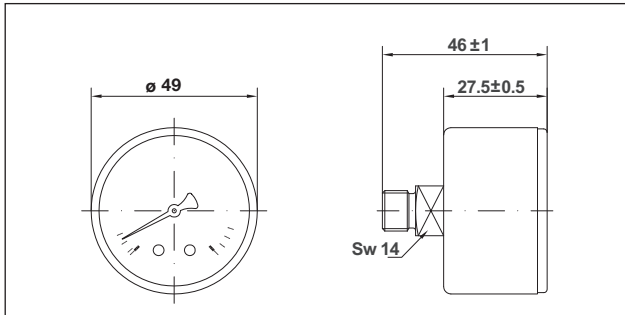
Features

Materials	
Case	Black plastic
Window	Clear plastic with printed red mark pointer
Dial	White plastic
Pointer	Black plastic - red plastic
Pressure connection	Cu-alloy, 14 mm flats
Pressure element	Bourdon tube Cu-alloy, soft soldered ≤ 60 bar C-type, > 60 bar helical type Sn-Ag soldered
Movement	Cu-alloy

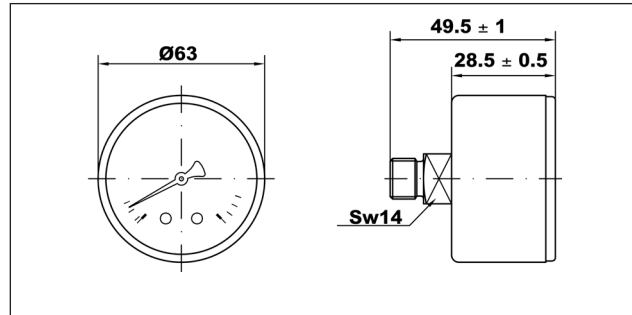
Technical features	
Design	EN 837-1
Working pressure	Steady: 75 % of full scale value Fluctuating: 60 % of full scale value Short time: full scale value
Temperature limits	Ambient: -40 ... +60 °C Medium: +60 °C maximum Storage: -40 ... +60 °C
Temperature effect	Deviation from reference temperature (+20°C): ±0,04%/1K of the span
Accuracy class	Cl 1.6
Degree of protection	IP 31 per EN 60 529 / IEC 529
Peso individuale:	
M3A-ABS 50/R	0.086 kg
M3A-ABS 63/R	0.094 kg

Overall dimensions (mm)

M3A-ABS 50/R



M3A-ABS 63/R



Specification text

Bourdon tube pressure gauges **M3A-ABS/R Series** - WATTS brand - for heating industry, gases and liquids not viscous, not aggressive and not crystallising. Dry **plastic case** DN 50-63 mm **centre back entry red adjustable pointer on window**. Vacuum measures range -1/0 at high pressure up to 400 bar. Temperature limits + 60°C. Accuracy class 1.6. **Compliant with EN 837-1.**

The descriptions and photographs contained in this product specification sheet are supplied by way of information only and are not binding.

Watts Industries reserves the right to carry out any technical and design improvements to its products without prior notice. Warranty: All sales and contracts for sale are expressly conditioned on the buyer's assent to Watts terms and conditions found on its website at www.wattsindustries.com. Watts hereby objects to any term, different from or additional to

Watts terms, contained in any buyer communication in any form, unless agreed to in a writing signed by an officer of Watts.

WATTS[®]

Watts Industries Italia S.r.l.

Via Brenno, 21 • 20853 Biassono (MB) • Italy

Tel. +39 039 4986.1 • Fax +39 039 4986.222

infowattsitalia@wattswater.com • www.wattsindustries.com