

# WT-A03 Serie

Wired analog room thermostat  
Vision® Wired

## Technical Data Sheet



## Description

Vision® Wired is used to control the temperature of individual rooms in heating systems.

The A03 or D03 room thermostat is connected to the Vision® Wired connection box which connects each thermostat to the water loop via the electrothermal actuator.

Likewise, the room thermostat can be connected directly to 22CX electrothermal actuators (available in our price catalogue).



### VISION® WIRED A03 SERIES

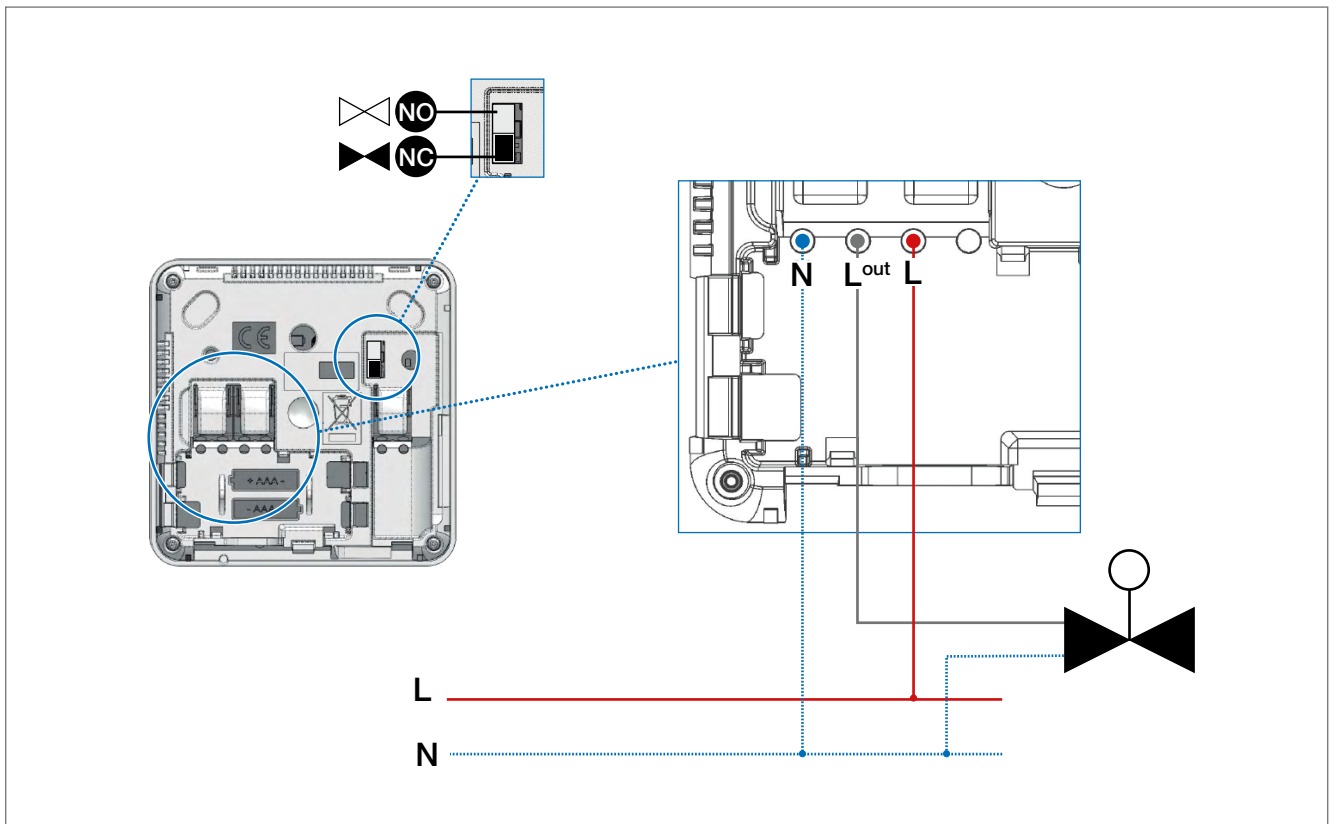
The A03 analogue wired thermostat has been designed to electronically control different types of heating systems (use Vision® Wired A03 HC for heating and/or cooling). Compatible with NC (normally closed) and NO (normally open) electrothermal actuators, it offers a wide voltage range from 24 to 230VAC. Temperature control is based on an internal sensor. A LED indicates the switching on of the heating.

Type	Part no.	Description
WT-A03	P08016	Analog Wired room thermostat Vision® Wired A03

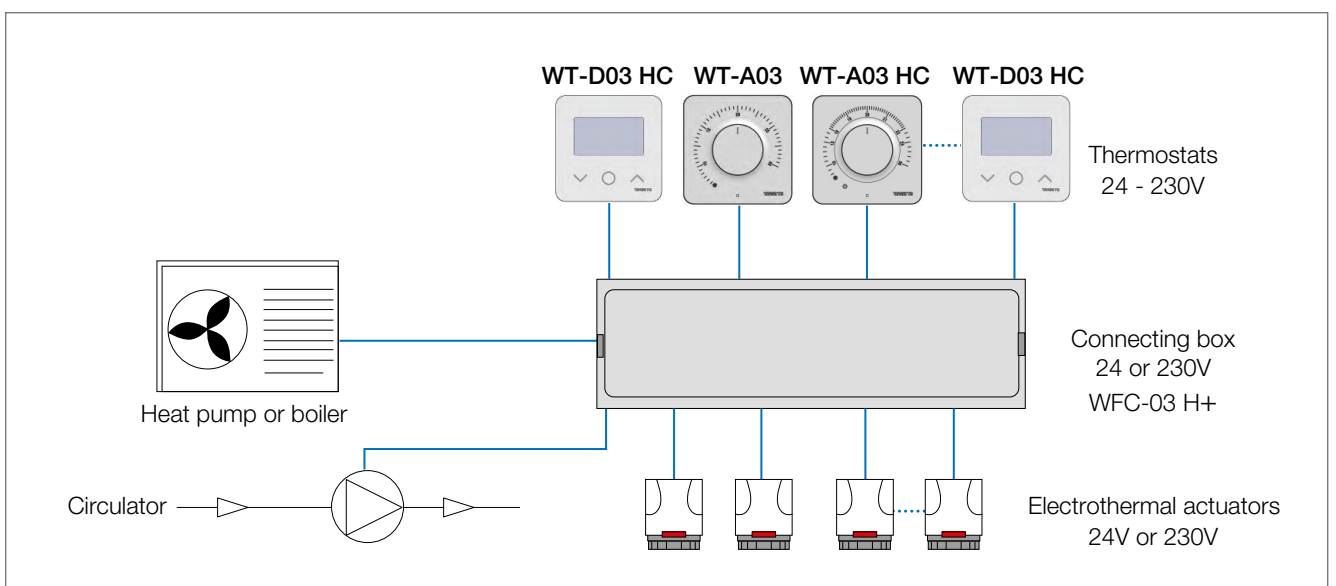
- Thermostat compatible with the Vision® Wired system
- Electrical voltage from 24 to 230 V
- Compatible with NC and NO electrothermal actuators
- Quick connectors
- Anti-freeze function

Technical specifications	
Operating temperature	0 to +40°C
Shipping and storage temperature	-10°C to +50°C
IP rating	IP30
Protection class	Class II
Temperature accuracy	0.1°C
ErP Class	Level I (1%)
Regulation type	Hysteresis $\pm 0.6^{\circ}\text{C}$
Temperature ranges: Comfort / Anti-freeze	+7 to +30°C (0.5°C step) / +7°C
Output voltage	From 24 to 230VAC 50Hz
Output power	NO or NC live contact 24VAC: Max. 5 electrothermal actuators (1.6W / actuator) 230VAC: Max. 8 electrothermal actuators (1.8W / actuator) Peak current: 4A max
Sensor	Internal NTC 10k $\Omega$ at +25°C
Standards	2014/35/EU, 2014/30/EU, 2014/53/EU, 2011/65/EU, 2012/19/EU, 2015/1188/EU

## Electrical wiring



## Examples of installation type



## Specification text

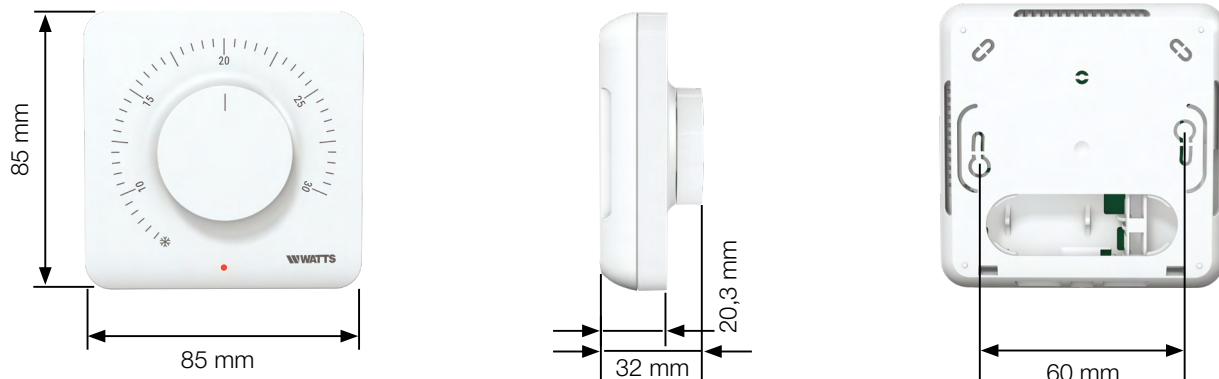
### WT-A03 Series

Analog wired room thermostat for temperature control of individual rooms in a heating system. Can be connected directly to 22CX electrothermal actuators or via the Vision® Wired connection box. Compatible with NC and NO electrothermal actuators, it offers a wide voltage range from 24 to 230VAC. Temperature control is based on an internal sensor. A LED indicates the switching on of the heating.

Complies with standards: 2014/35/EU, 2014/30/EU, 2014/53/EU, 2011/65/EU, 2012/19/EU, 2015/1188/EU.

## Overall dimensions (mm)

### WT-A03



The descriptions and photographs contained in this product specification sheet are supplied by way of information only and are not binding.

Watts Industries reserves the right to carry out any technical and design improvements to its products without prior notice. Warranty: All sales and contracts for sale are expressly conditioned on the buyer's assent to Watts terms and conditions found on its website at [www.wattsindustries.com](http://www.wattsindustries.com). Watts hereby objects to any term, different from or additional to Watts terms, contained in any buyer communication in any form, unless agreed to in a writing signed by an officer of Watts.

# WATTS®

**Watts Industries France**

1590 avenue d'Orange • CS 10101 Sorgues 84275 VEDENE CEDEX • FRANCE

Tél. +33 (0)4 90 33 28 28 • Fax +33 (0)4 90 33 28 29/39

[contact@wattswater.com](mailto:contact@wattswater.com) • [www.wattswater.fr](http://www.wattswater.fr)