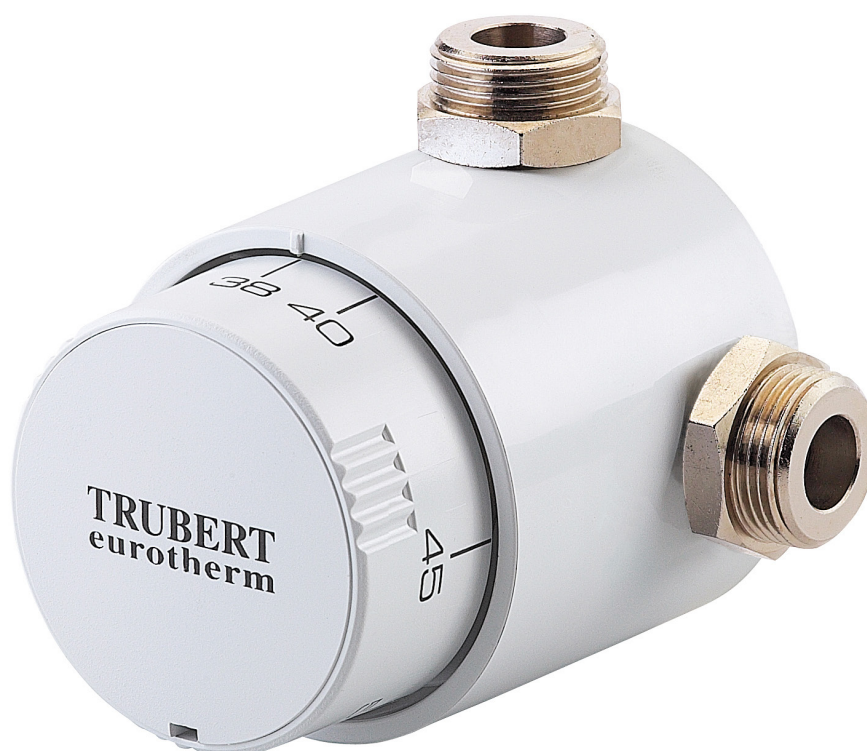


# Thermostatic mixing valve T9715 and T9107

Thermostatic mixing valve for centralized systems

## Technical Data Sheet



## Description

T9715 and T9107 thermostatic mixing valves are specially designed for a wide range of applications. They can be installed wherever a precise temperature is required, even on low-flow systems.

- Precise temperature control
- Excellent temperature regulation and stability regardless of variations in inlet pressure and temperature
- Easy installation without special tools
- Can be installed in several positions without the discomfort of temperature reading
- Delivered tested, and ready for calibration
- Possibility of locking on a degree or temperature range by means of the handle
- Anti-scald protection: hot water is cut off immediately if the cold water supply is interrupted.
- Easy maintenance: interchangeable cartridge, no need to remove the mixing valve.
- Numerous setting ranges available: 15/50°C, 0/40°C and 40/80°C
- Male thread on inlets and outlets, suitable for most faucet connections



## T9715 and T9107

Thermostatic mixing valve for centralized systems

M 1/2" Connection						
Ref.	DN	Setting range	Draw-off points	Flow (L/min)	Finish	Weight (kg)
22T9715B	M 1/2" 15x21	15/50°C	From 1 to 5	3 to 42	White	1
22T9715B48	M 1/2" 15x21	40/80°C	From 1 to 5	3 to 42	White	1
22T9715B04	M 1/2" 15x21	0/40°C	From 1 to 5	3 to 42	White	1
22T9715C	M 1/2" 15x21	15/50°C	From 1 to 5	3 to 42	chrome-plated	1
22T9715C48	M 1/2" 15x21	40/80°C	From 1 to 5	3 to 42	chrome-plated	1
22T9715C04	M 1/2" 15x21	0/40°C	From 1 to 5	3 to 42	chrome-plated	1

Be careful to take into account the number of drawing points connected to the same network and used simultaneously.

M 3/4" Connection						
Ref.	DN	Setting range	Draw-off points	Flow (L/min)	Finish	Weight (kg)
22T9107B	M 3/4" 20x27	15/50°C	From 1 to 5	3 to 42	White	1,02
22T9107B48	M 3/4" 20x27	40/80°C	From 1 to 5	3 to 42	White	1,02
22T9107B04	M 3/4" 20x27	0/40°C	From 1 to 5	3 to 42	White	1,02
22T9107C	M 3/4" 20x27	15/50°C	From 1 to 5	3 to 42	chrome-plated	1,02
22T9107C48	M 3/4" 20x27	40/80°C	From 1 to 5	3 to 42	chrome-plated	1,02
22T9107C04	M 3/4" 20x27	0/40°C	From 1 to 5	3 to 42	chrome-plated	1,02

Be careful to take into account the number of drawing points connected to the same network and used simultaneously.

Technical data	
Maximum operating pressure	10 bar
Minimum operating pressure	1
Recommended operating pressure	2 to 4 bar
Temperature setting range	15/50°C, 0/40°C or 40/80°C
Maximum temperature	85°C*
Minimum flow	3 L/min
Maximum flow	42 L/min
Max. pressure variation	1,5 bar
Max. temperature variation between inlets	10°C

\*65°C for setting range of temperature from 0 to 40°C

## Nomenclature and materials

N°	Designation	Material
1	Body	Brass
2	Cartridge	TCP7
4	Knob assembly	Plastic
10	Knob fixing kit	Plastic



## Approvals



## Application

T9715 and T9107 thermostatic mixing valves are recommended for all applications where the mixed water temperature needs to be kept exact and constant, and can be changed at will, such as:

- Low-flow sanitary applications: showers, washbasins, etc.
- Electronic valves
- Industrial applications
- Chilled water applications

## Installation

Connection: Install shut-off valves close to the mixing valve, at least on the inlets, to enable the device to be isolated for maintenance or cartridge removal, without draining the system. Valves on inlets remain wide open during normal operation.

- Rinse pipes.
- Calibrate: simply move the knob on its notched axis until the temperature scale on the knob and the temperature of the water leaving the mixing valve match.
- Move the knob regularly over the entire scale.

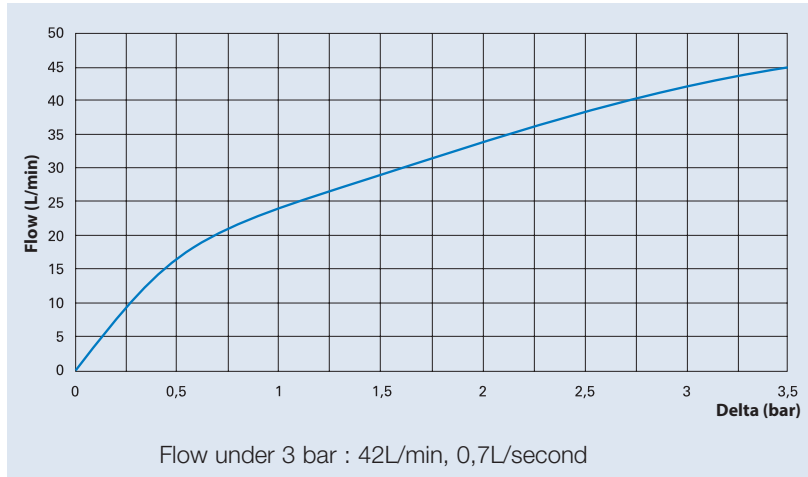
## The anti-legionella response

T9715 and T9107 thermostatic mixing valves are specially designed to prevent the contraction of legionellosis:

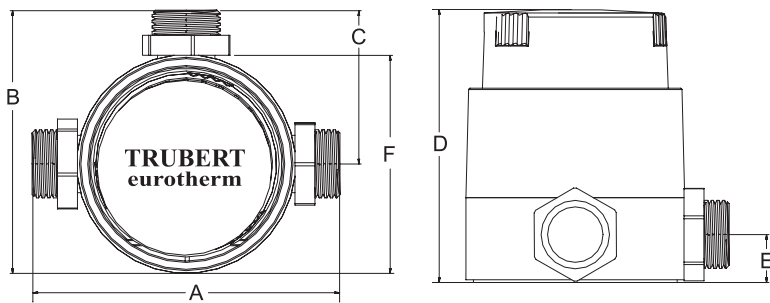
- Removable, interchangeable cartridge for easy descaling and disinfection.
- Heat treatment: temperature can be raised by simply removing the protective cover and turning the cartridge to the maximum heat position (bacteria are destroyed at 60°C).

# Operation

## T9715 and T9107 – Headloss chart



# Sizing



Ref.	T9715	T9107
A (mm)	112	112
B (mm)	96	96
C (mm)	56	56
D (mm)	100	100
E (mm)	17,5	17,5
F (mm)	80	80
diameter	M 1/2"	M 3/4"
weight	1,00	1,00

The descriptions and photographs contained in this product specification sheet are supplied by way of information only and are not binding. Watts reserves the right to carry out any technical and design improvements to its products without prior notice. Warranty : All sales and contracts for sale are expressly conditioned on the buyer's assent to Watts terms and conditions found on its website at [www.watts.com](http://www.watts.com). Watts hereby objects to any term, different from or additional to Socla terms, contained in any buyer communication in any form, unless agreed to in a writing signed by an officer of Watts.



**WATTS INDUSTRIES France**

1590 avenue d'Orange • CS 10101 Sorgues 84275 VEDENE CEDEX • France  
 Tel. +33 (0)4 90 33 28 28 • Fax +33 (0)4 90 33 28 39  
[contact@wattswater.com](mailto:contact@wattswater.com) • [www.wattswater.co.uk](http://www.wattswater.co.uk)