

## Plastic discharge tundish kit for hydraulic safety groups to standard EN 1487. series 92 - 1" F - Ø25/32 mm



- Direct connection at the male discharge fitting in 1" of the safety group EN 1487 approved.
- Complies with the requirements of the EN 1487 standard.
- Design specifically for discharge without any spillage of water.
- Internal water gap protecting the bad odours from evaporation.
- Easy connection to the drainage pipe.

**WATTS<sup>®</sup>**  
**INDUSTRIES**

A Division of Watts Water Technologies Inc.



**Application:**

A discharge tundish kit (trap funnel) must be placed directly under the Safety Group EN1487 approved, at the Male discharge fitting threaded in G1" (26x34). This discharge funnel/tundish, must be in conformity with the dimension requirements of standard EN 1487 and discharge must occur without any spillage of water.

**Features and benefit:**

The WATTS 92315 trap complies with the requirements of the EN 1487 standard, with a sufficiently sized air gap and water gap, protecting the bad odours from evaporation. The WATTS 92315 discharge tundish kit is certified by the CSTB (NF079 Technical document 6) and Belgaqua Certifying Bodies as conforming to European Standard EN 1487.

To meet this requirement the WATTS tundish kit is fitted with a special deflector/side walls which catches any water spillage during discharge from the safety relief valve and direct it to the drainage pipes. These deflector/side walls can be manually oriented according to the specific constraints of the installation.

**Range:**

- 92315 (NF EN 1487 approved): G1" (26x34) + smooth part, to be glued (Ø32 mm) and connected to the drainage.
- 92324 (short version – special for limited space as closet) G1" (26x34) without smooth part, for direct connection to the drainage in diameter 32 mm.

**Installation:**

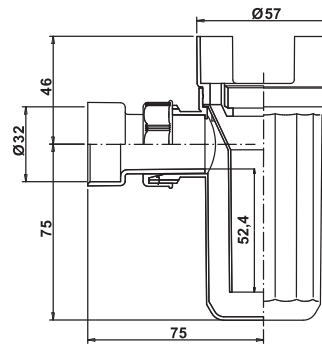
Code ref 92315

For item 92315, the connection to the discharge pipe to drainage could be :

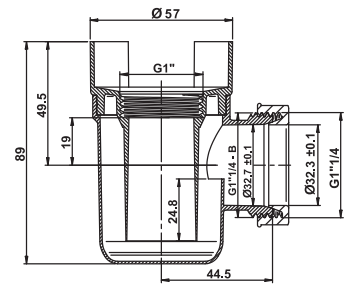
- screw directly to the drainage diameter 25 mm (rubber seals) or,
- use the smooth part which must be glued and connected to the drainage (diameter 32 mm)

**Dimensions:**

Code ref 92315



Code ref 92324



Code ref 92324 (short version) **New**

For item 92324, screw directly to the drainage diameter 32 mm

The photographs, illustrations and descriptions contained in this brochure are given for information only. Watts Industries reserves the right to change the technical specifications or the design of these products without prior notice.