

CLASSIC EVO2 Series

Electronic actuator

Technical Data Sheet



Description

CLASSIC EVO2 Series actuators are designed to control and actuate rotary mixing valves in systems that require temperature control of the heat-carrier fluid. These actuators are easy to install and have both automatic and manual operating modes. The power supply cable can be removed without using special tools.



CLASSIC EVO2

3-point bidirectional modulating electronic actuator for rotary mixing or sector valve zone. Rotation angle 90° in 125 seconds, automatic and manual operation. Torque: 5.5 Nm. Power supply: 230 VAC 50 Hz. Power rating: 3 VA. Control signal: 3-point. IP rating: IP41.

Type	Part No.	Description	Weight (kg)
CLASSIC EVO2	10028079	230VAC, 3-point	0.260
CLASSIC EVO2	2640050306	3-pole cable, length 0.6 m	0.40
CLASSIC EVO2	2640050320	3-pole cable, length 2.0 m	0.130
CLASSIC EVO2	2640050328	3-pole cable, length 2.8 m	0.180
CLASSIC EVO2	2640050350	3-pole cable, length 5.0 m	0.320

Technical features	
Control signal	3-point
Rotation angle	90°
Rotation time	125 seconds ± 5%
Rated torque	5.5 Nm
Power supply	230 VAC ±10%
Frequency	50 Hz
Power rating	3 VA
IP rating	IP41
IEC protection class	Class II
Ambient temperature	-5 to 55°C
Housing	ABS
Other components	Technopolymer
Connection cable (maximum temperature)	90°C

Approvals

CLASSIC EVO2 Series electronic actuators are TÜV Rheinland certified.

The TÜV mark guarantees that **CLASSIC EVO2 Series** actuators have passed all the safety tests required by EU Directives and that production is continuously monitored to ensure a high level of product quality.

Standards

- EN 60730-1:2016
- EN 60730-2-14:1997



Directives

- LVD 2014/35/EU
- EMC 2014/30/EU
- RoHS 2011/65/EU

Operation

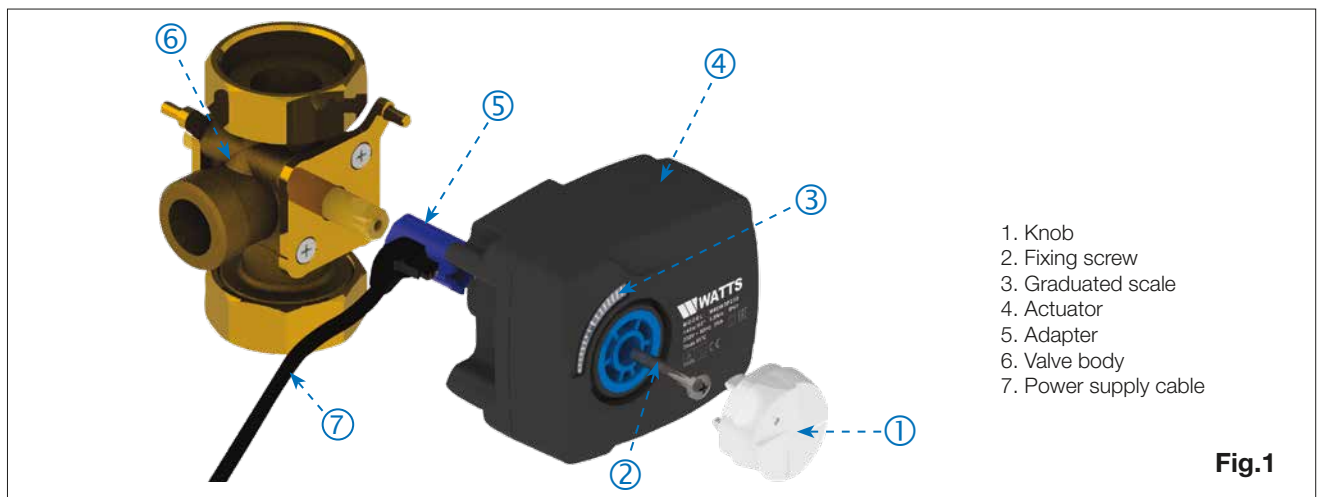
Automatic operation

Applying voltage between the blue cable and the brown cable causes the actuator stem to turn clockwise before stopping automatically at the end of its stroke. Applying voltage between the blue cable and the black cable causes the actuator stem to turn anticlockwise before stopping automatically at the end of its stroke.

If no voltage is applied, the position of the actuator stem remains unchanged.

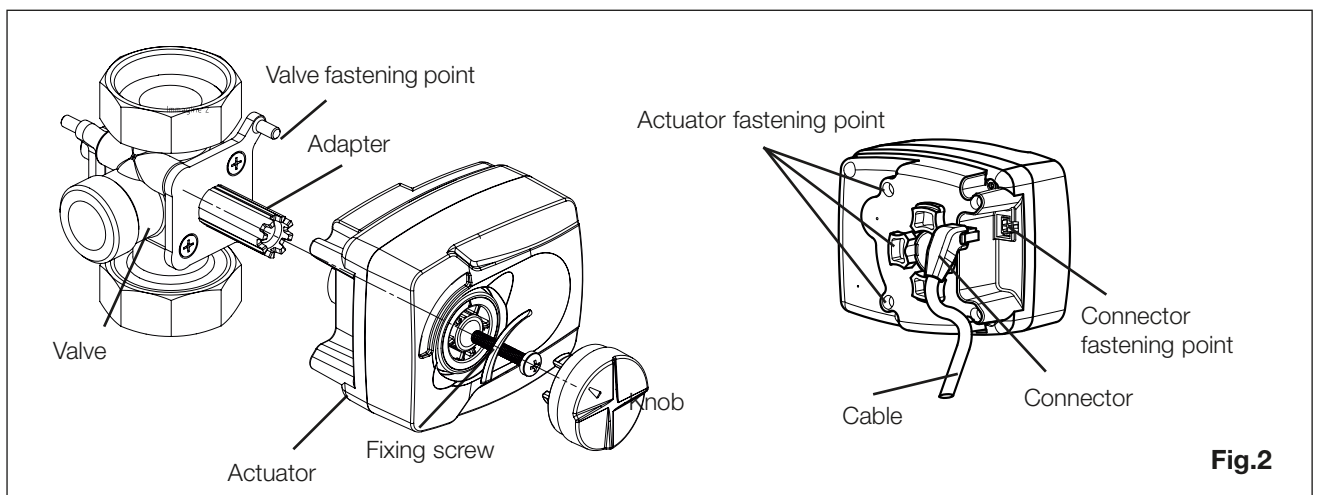
Manual operation

Pulling the knob out to the first position releases the gears, and the actuator stem can be actuated by turning the knob manually.



Installation

1. Remove the knob.
2. Position the adapter between the valve stem and the actuator stem.
3. Fit the actuator, making sure that the fastening points between the actuator and the valve line up with each other.
4. Tighten the fixing screw (to a torque of 2Nm) and refit the knob.
5. Plug the connector in (to extract the connector, pull it while holding the safety latch down).



CLASSIC EVO2 Series actuators can be installed as follows:

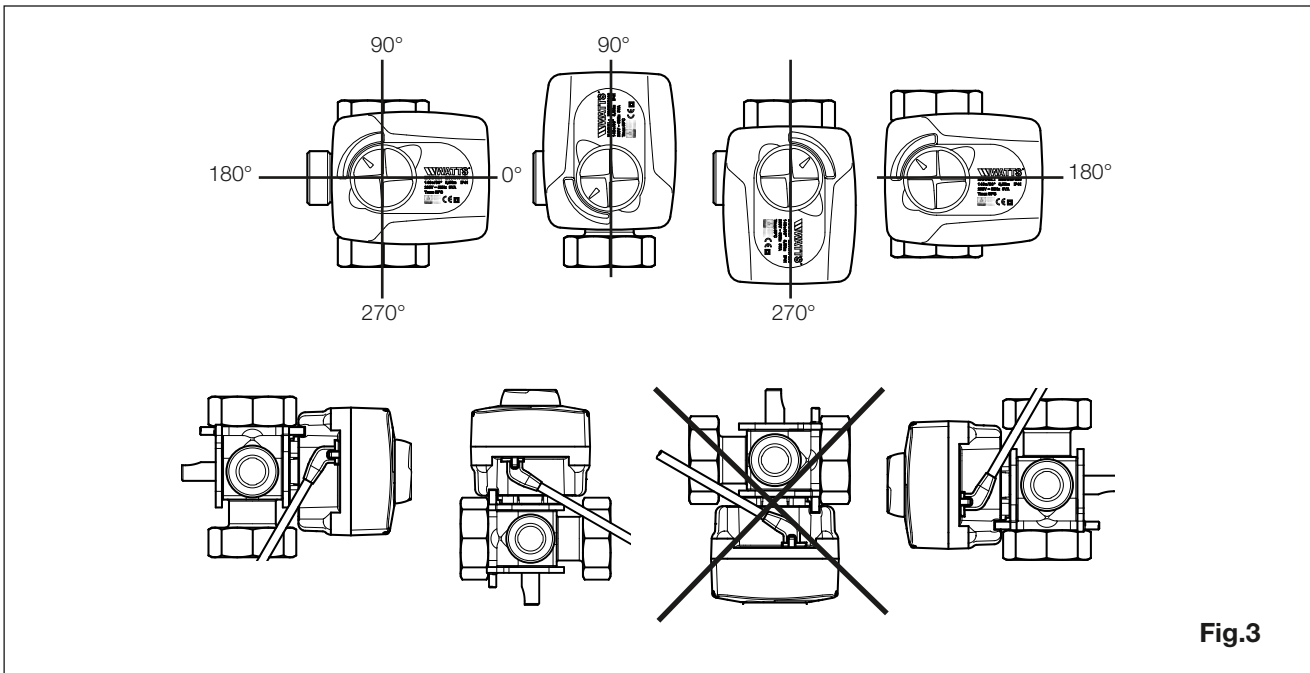
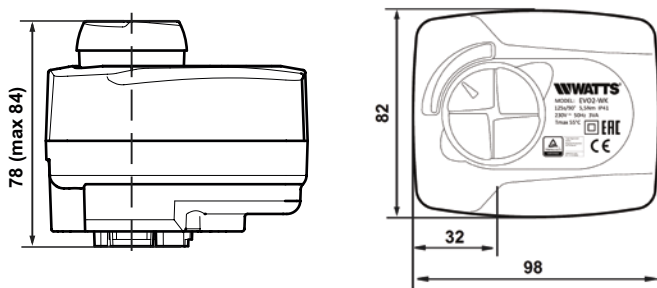
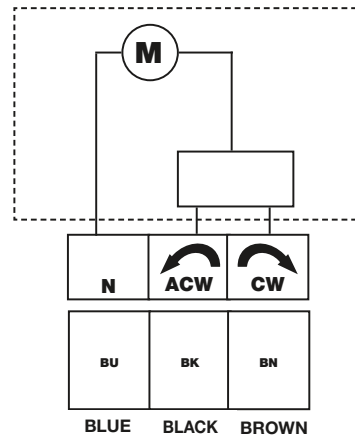


Fig.3

Overall dimensions (mm)



Electrical connections



Specification text

CLASSIC EVO2 Series

3-point bidirectional modulating electronic actuator **CLASSIC EVO2 Series** – WATTS brand – for rotary mixing or sector valve zone. Rotation angle 90° in 125 seconds, automatic and manual operation. Torque 5.5 Nm. Power supply 230 VAC 50 Hz. Power rating 3 VA. Three-point control signal and IP41 ingress protection rating. The power supply cable can be removed without using special tools.

The descriptions and photographs contained in this product specification sheet are supplied by way of information only and are not binding. Watts Industries reserves the right to carry out any technical and design improvements to its products without prior notice. Warranty: All sales and contracts for sale are expressly conditioned on the buyer's assent to Watts terms and conditions found on its website at www.wattswater.eu. Watts hereby objects to any term, different from or additional to Watts terms, contained in any buyer communication in any form, unless agreed to in a writing signed by an officer of Watts.

WATTS®



Watts Industries Italia S.r.l.

Via Brenno, 21 • 20853 Biassono (MB) • Italy
Tel. +39 039 4986.1 • Fax +39 039 4986.222
infowattsitalia@wattswater.com • www.watts.com