

BA BM

Backflow preventer with verifiable reduced pressure zone
with funnel incorporated

Technical Data Sheet



Description

The BA BM backflow preventer protects the drinking water network by interrupting the continuity of the supply, emptying and evacuating to waste in case of danger of water being turned back into the main pipeline.

- Easy maintenance thanks to modular sub-sets
- Compact design and space-saving
- Piston technology on the relief valve, without membrane : easy mounting/dismantling, reinforced longevity
- Reduced head losses
- Easy access
- High quality materials
- Connection: Male threaded union nuts(BSP) ISO 228-1



BA BM

Backflow preventer with verifiable reduced pressure zone with funnel incorporated

DN		PFA in bar	Cat.	Ref.	Weight Kg
"	mm				
1/2	15	10	I	2231150	1,2
3/4	20	10	I	2231250	1,2
1	25	10	I	2231350	2,7
1 1/4	32	10	I	2231450	2,7
1 1/2	40	10	-	2231550	6,5
2	50	10	-	2231650	6,5

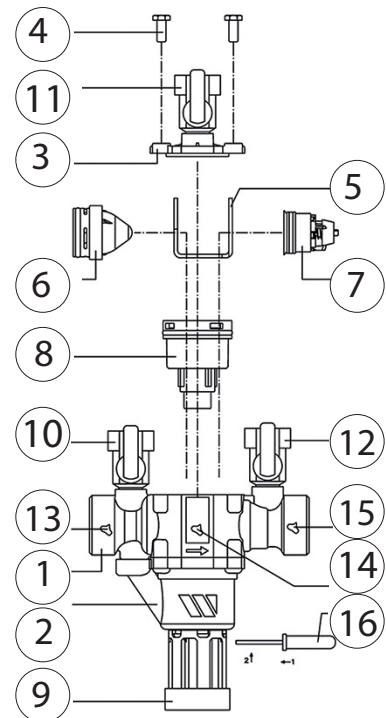
Technical features

Operating temperature	Maxi. 65 °C
Permissible operating pressure(PFA) in water	10 bar
Connection	Male threaded union nuts(BSP)
Mediums	Drinking water

Nomenclature and materials

N°	Description	Materials	EURO
1	Body	Brass DZR	EN12165 CuZn35Pb1.5AlAs-H060
2	Relief valve body	PA	
3	Cover	Brass DZR	EN12165 CuZn35Pb1.5AlAs-H060
4	Screws	Stainless steel	EN10088-3 X5CrNi18-10
5	Bearing	Stainless steel	EN10088-3 X5CrNi18-10
6*	Upstream valve	POM Stainless steel Brass	
7*	Downstream valve	POM Stainless steel Brass	
8*	Relief valve module	POM Stainless steel Brass	
9	Funnel	PVC	
10-11-12	Test cock pressure	Brass DZR	EN12165 CuZn35Pb1.5AlAs-H060
13	Inlet zone		
14	Intermediate zone		
15	Outlet zone		

* Subassembly: consult us



Approvals



International Construction Standards:

EN 1717 - EN12729 P-IX870/1

Thread connection according to EN ISO 228-1 / ISO 7.1

Application

Designed to protect drinking water supply networks against the backflow of risk fluids up to category 4 according to EN1717.

The device is designed to prevent any backflow of polluted water into the drinking water supply network as a result of back pressure or back siphonage when the pressure upstream of the device is lower than the pressure downstream of it.

For systems liable to generate pollution risks such as:

- Professional networks: industrial facilities, surface treatment, chemical industry
- Sanitary networks: hospitals, laboratories, dialysis centers, water treatment
- Technical networks: heating, air conditioning, irrigation, water dispensers, sprinklers

Installation

Directions for installation:

- total accessibility
- non-submersible installation
- purge carefully all air from the installation(non polluted atmosphere)
- the discharge valve must be able to cope with the discharge flow rate
- protection against frost or extreme temperatures
- in the case of an upstream diversion in the area right in front of the RPZ, it is necessary to install a check valve between the diversion and the RPZ.
- always manipulate the upstream valve slowly.

The protection device must be installed by a qualified technician.

Installation specification:

The correct installation requires:

- upstream: ball valve fitting + filter (with drain cock)
- downstream: ball valve fitting

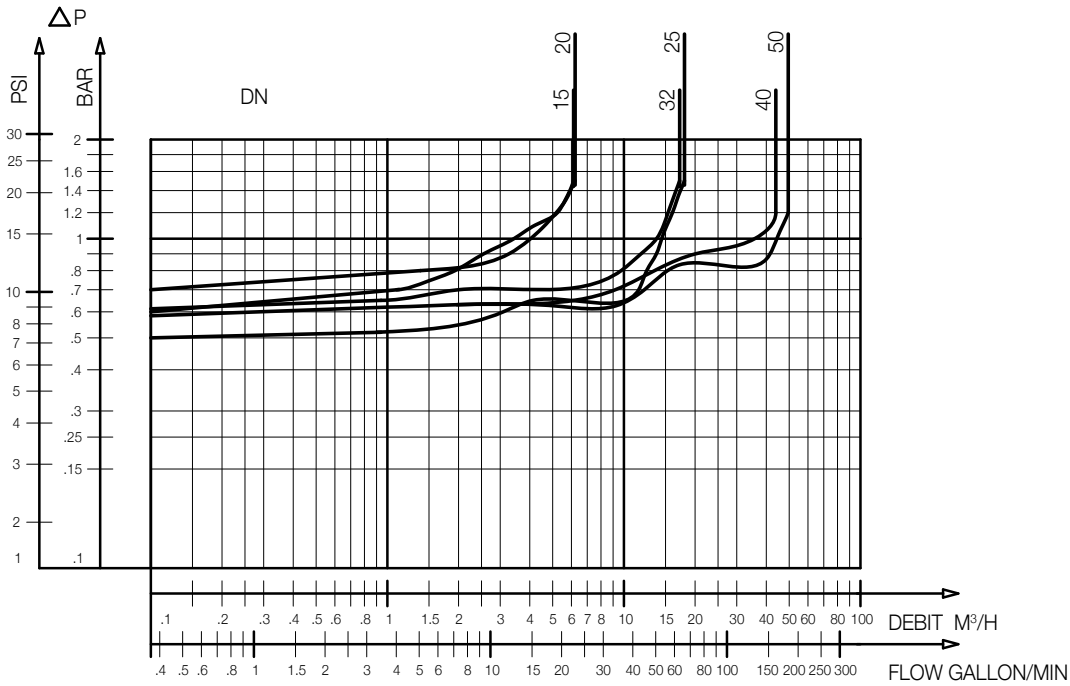
Maintenance

- Testing: In accordance with national statutory regulations, BA backflow preventers must be regularly inspected (once a year in most countries) by an authorized maintenance technician.
An annual functional test of the backflow preventer must be done with a test kit with pressure gauge and hoses. This test equipment must be checked once every two years at least.
- Repair kits: Spare parts are available and allow the replacement of each specific defective parts. (See technical book "maintenance kit" or installation manual).

Operation

Direction for use:

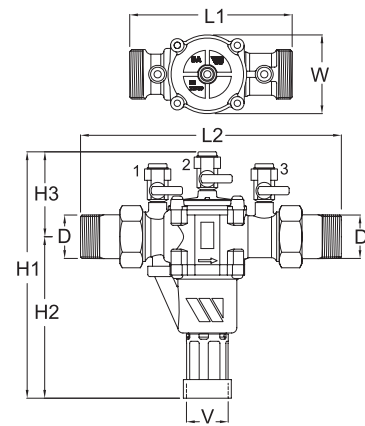
- Solid line: Valve completely open



BA BM - Headloss chart

Sizing

DN	D	V	L1	L2	H1	H2	H3	W
"	mm	mm	mm	mm	mm	mm	mm	mm
1/2	15	32	122	201	168,5	103	65,5	53
3/4	20	32	122	201	168,5	103	65,5	53
1	25	40	157	252	238	156	82	76
1 1/4	32	40	157	252	238	156	82	76
1 1/2	40	50	220	336	303,5	202,5	101	115
2	50	50	220	336	303,5	202,5	101	115



BA BM

The descriptions and photographs contained in this product specification sheet are supplied by way of information only and are not binding.

Watts reserves the right to carry out any technical and design improvements to its products without prior notice. Warranty : All sales and contracts for sale are expressly conditioned on the buyer's assent to Watts terms and conditions found on its website at www.watts.com. Watts hereby objects to any term, different from or additional to Socla terms, contained in any buyer communication in any form, unless agreed to in a writing signed by an officer of Watts.



WATTS INDUSTRIES France

1590 avenue d'Orange • CS 10101 Sorgues 84275 VEDENE CEDEX • France

Tel. +33 (0)4 90 33 28 28 • Fax +33 (0)4 90 33 28 39

contact@wattswater.com • www.wattswater.co.uk