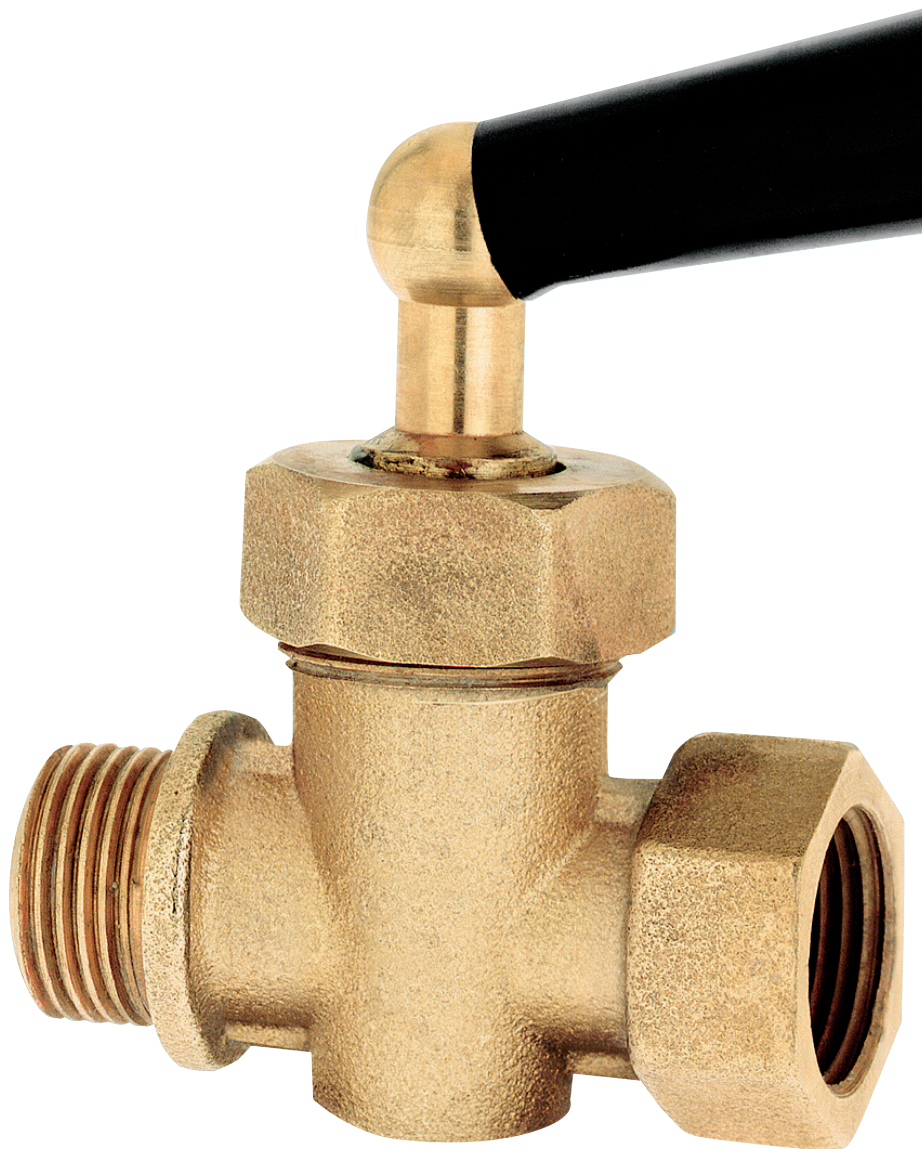


# Accessories

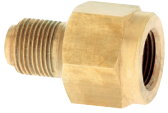
For Pressure Gauges

## Technical Data Sheet



## Description

Accessories for pressure gauges.



### AM

Pressure Dampener

Part No.	Connection	Weight (kg)	Box / Master	Min. order
PZ010000	G1/4B	0.060	1/1	1
PZ020000	G3/8B	0.060	1/1	1
PZ030000	G1/2B	0.060	1/1	1

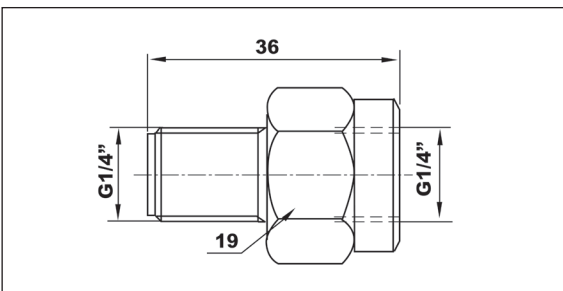
## Features

### Materials

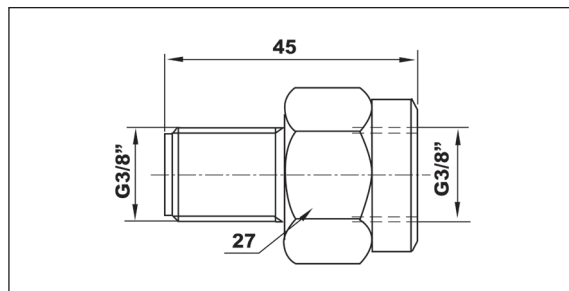
Body	Cu-alloy
Thread Connection	Cu-alloy male-female

## Overall dimensions (mm)

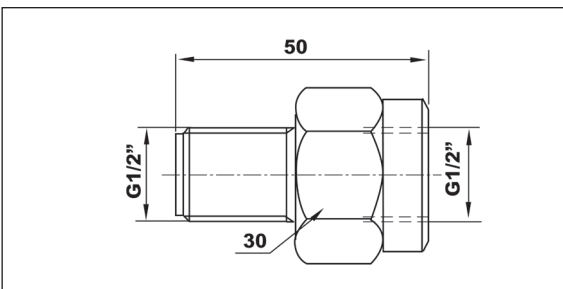
### AM 1/4

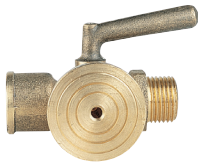


### AM 3/8



### AM 1/2





## 403/RF

Ball valve with test flange.

Part No.	Connection	Weight (kg)	Box / Master	Min. order
403R14	G1/4B	0.200	1/1	1
403R38	G3/8B	0.200	1/1	1
403R12	G1/2B	0.200	1/1	1

## Features

### Materials

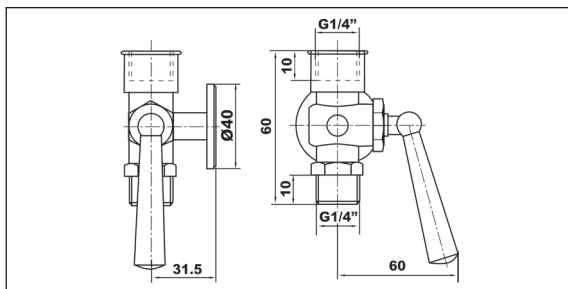
Body	Cu-alloy, three-way
Thread connection	Cu-alloy male-female
Test flange	Cu-alloy, DN40

### Technical features

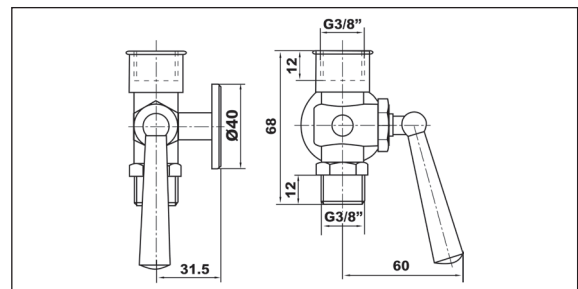
Temperature limits	Max. 100°C
Working pressure	PN 16 max

## Overall dimensions (mm)

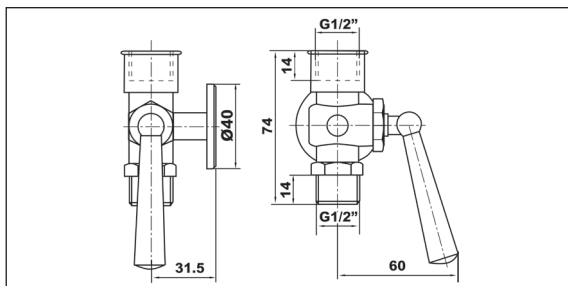
### 403/RF 1/4



### 403/RF 3/8



### 403/RF 1/2





## RS

Ball valve.

Part No.	Connection	Weight (kg)	Box / Master	Min. order
PZ112000	G1/4B	0.130	1/1	1
PZ122000	G3/8B	0.130	1/1	1
PZ132000	G1/2B	0.130	1/1	1

## Features

### Materials

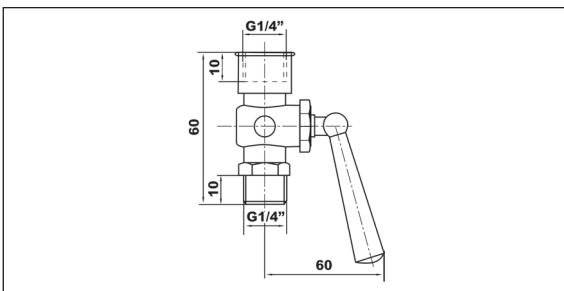
Body	Cu-alloy, two-way
Thread connection	Cu-alloy male-female

### Technical features

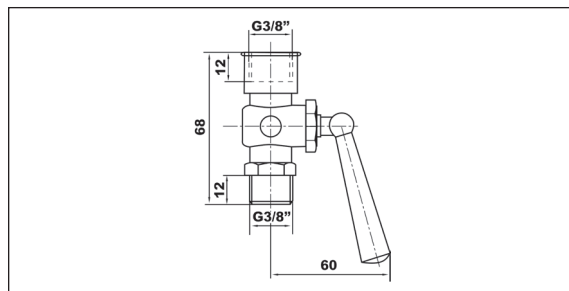
Temperature limits	Max. 40°C
Working pressure	PN 5 max

## Overall dimensions (mm)

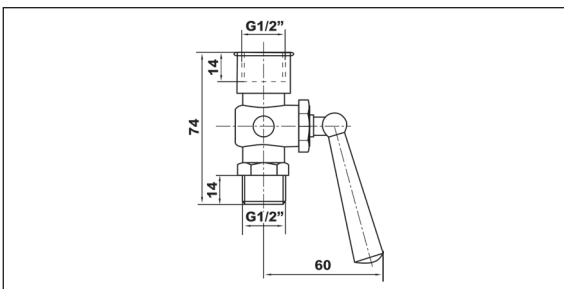
### RS 1/4



### RS 3/8



### RS 1/2





## RFX

Stainless steel manual shut off valve with test flange.

Part No.	Connection	Weight (kg)	Box / Master	Min. order
PZ11010000	G1/4B	1.120	1/1	1
PZ12010000	G3/8B	1.120	1/1	1
PZ13010000	G1/2B	1.120	1/1	1

## Features

### Materials

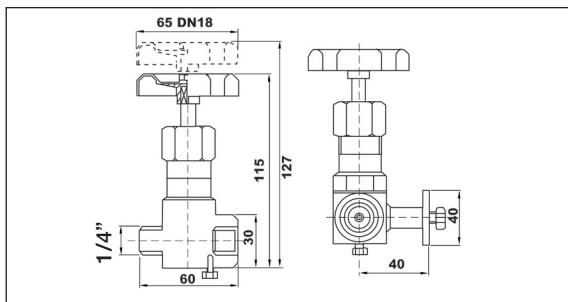
Body	Stainless steel AISI 316L, three-way
Thread connection	Stainless steel, male-female
Test flange	Stainless steel, DN40

### Technical features

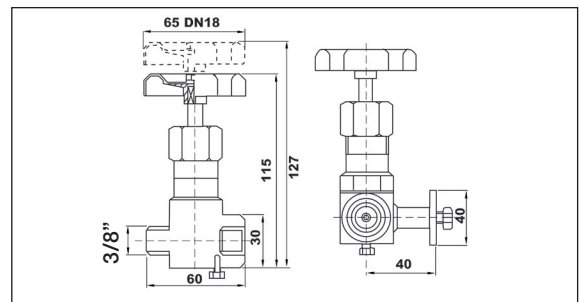
Temperature limits	Max. 220°C
Working pressure	PN 210 max

## Overall dimensions (mm)

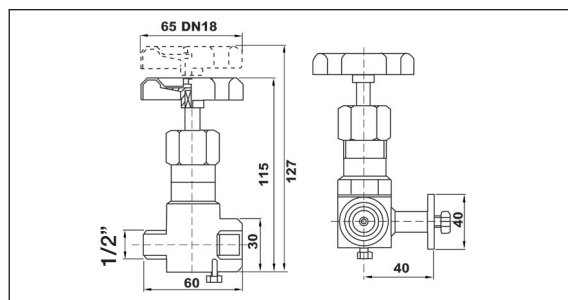
### RFX 1/4



### RFX 3/8



### RFX 1/2



## 407D/SRN

Copper nickel-plated syphon (trumpet form).



Part No.	Connection	Weight (kg)	Box / Master	Min. order
407D14	G1/4B	0.090	1/1	1
407D38	G3/8B	0.090	1/1	1
407D12	G1/2B	0.090	1/1	1

## Features

### Materials

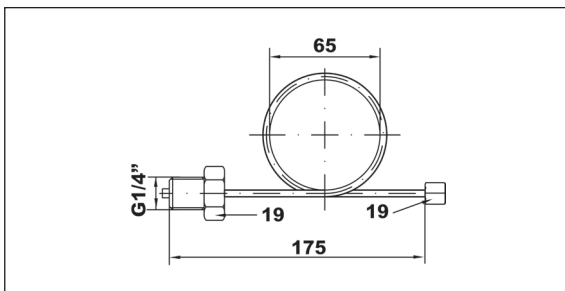
Tube	Copper, nickel-plated
Thread connection	Copper, nickel-plated, male-female

### Technical features

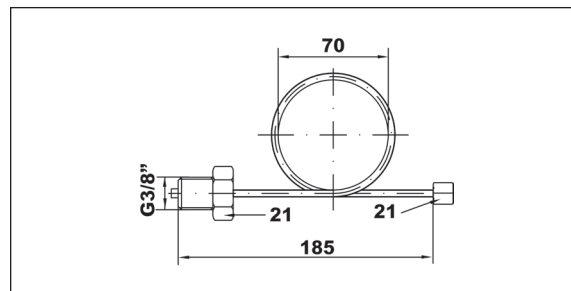
Temperature limits	Max. 120°C
Working pressure	PN 25 max

## Overall dimensions (mm)

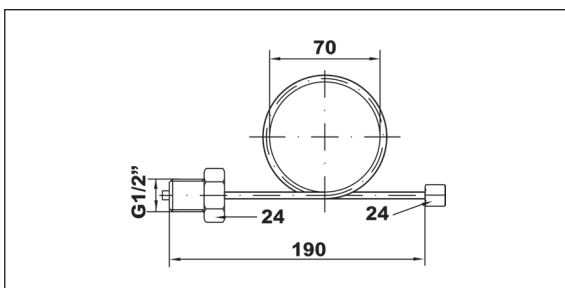
### 407D/SRN 1/4



### 407D/SRN 3/8



### 407D/SRN 1/2





## SRX

Stainless steel syphon (trumpet form).

Part No.	Connection	Weight (kg)	Box / Master	Min. order
PZ141000000	G1/4B	1.011	1/1	1
PZ161000000	G1/2B	1.011	1/1	1

## Features

### Materials

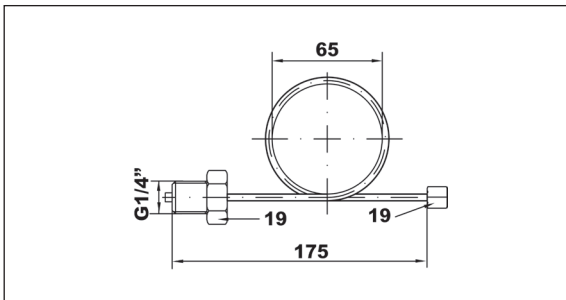
Tube	Stainless steel AISI316L
Thread connection	Stainless steel AISI 316L, male-female

### Technical features

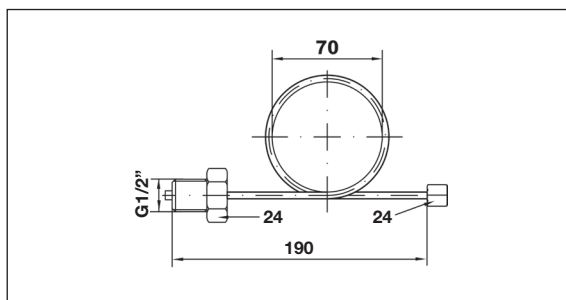
Temperature limits	Max. 200°C
Working pressure	PN 100 max

## Overall dimensions (mm)

### SRX 1/4



### SRX 1/2





## RP

Push button valve.

Part No.	Connection	Weight (kg)	Box / Master	Min. order
PZ111000	G1/4B	0.220	1/1	1
PZ121000	G3/8B	0.220	1/1	1
PZ131000	G1/2B	0.220	1/1	1

## Features

### Materials

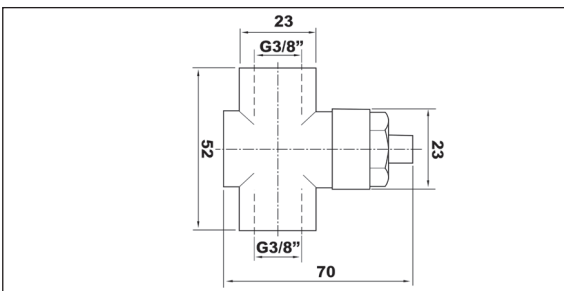
Body	Cu-alloy, nickel-plated with button for pressure release
Thread connection	Cu-alloy, nickel-plated, male-female

### Technical features

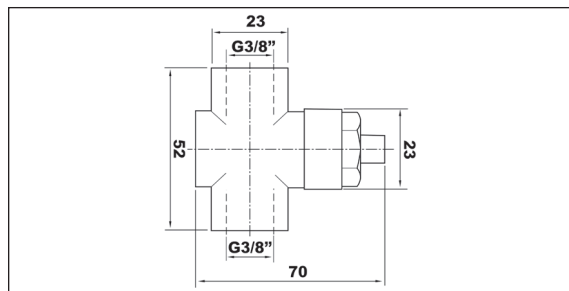
Temperature limits	Max. 80°C
Working pressure	PN 4 max

## Overall dimensions (mm)

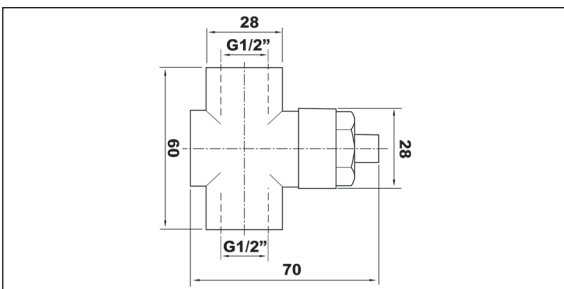
### RP 1/4



### RP 3/8



### RP 1/2







## VR

Automatic valve.

Part No.	Connection	Weight (kg)	Box / Master	Min. order
0329008	G1/4B x G1/4B	0.100	1/1	1
0329010	G3/8B x G3/8B	0.100	1/1	1
PZ04000D00	G1/2B x G1/4B	0.100	1/1	1
0329015	G1/2B x G1/2B	0.100	1/1	1

## Features

### Materials

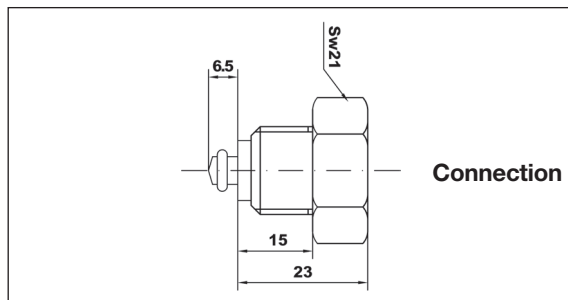
Body	Brass-polypropylene combination, 21 mm flats
Thread connection	Cu-alloy, with O-ring, male-female

### Technical features

Temperature limits	Max. 120°C
Working pressure	PN 10 max

## Overall dimensions (mm)

### VR



## S INOX 50/63

Mounting bracket for MG3A-INOX 50/63.



Type	Part No.	Weight (kg)	Box / Master	Min. order
S INOX 50	PZMINACC050	0.035	1/1	1
S INOX 63	PMINACC047	0.040	1/1	1

## Features

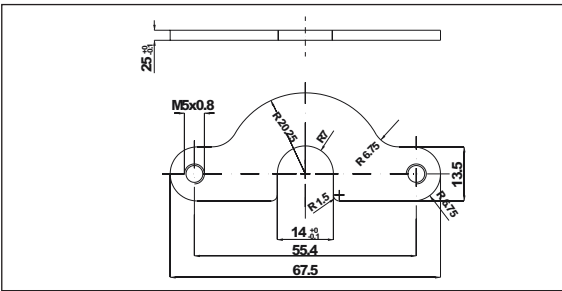
### Materials

U-clamp and fixing screws

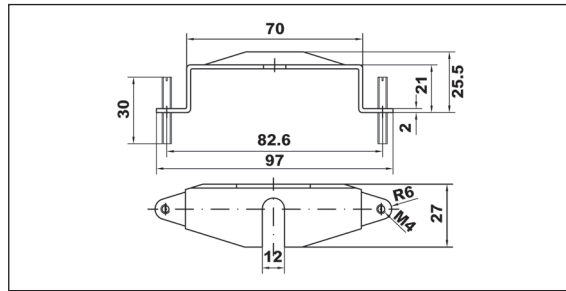
zinc-plated steel

## Overall dimensions (mm)

### S INOX 50



### S INOX 63



## S ABS 50/63

Mounting bracket for MG3A-ABS 50/63.



Type	Part No.	Weight (kg)	Box / Master	Min. order
S ABS 50	PMINACC048	0.040	1/1	1
S ABS 63	PMINACC047	0.040	1/1	1

## Features

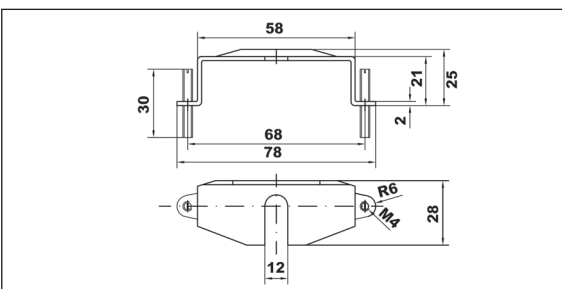
### Materiali

U-clamp and fixing screws

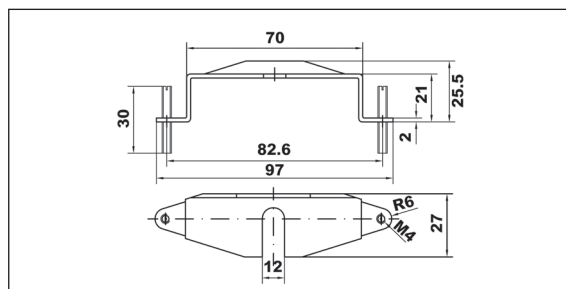
Zinc-plated steel

## Overall dimensions (mm)

### S ABS 50



### S ABS 63





## F ABS 63

3-hole front flange for MG3A-ABS 63.

Part No.	Weight (kg)	Box / Master	Min. order
PMINABS048	0.003	1/1	1

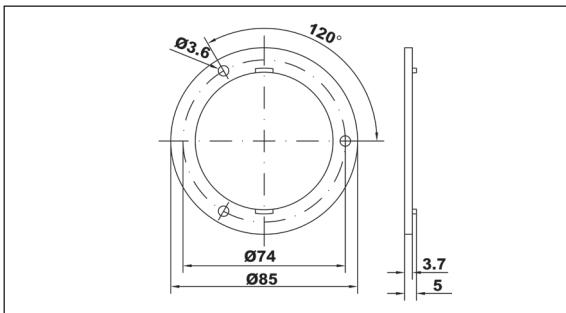
## Features

### Materials

Flange	Black plastic
--------	---------------

## Overall dimensions (mm)

### F ABS 63



## CP

Protective rubber cap for gauges M1/M3A-ABS 63

Part No.	Connection	Weight (kg)	Box / Master	Min. order
PCUSGOM001	Bottom entry	0.060	1/1	1
PCUSGOM002	Centre back entry	0.060	1/1	1

## Features

### Materials

Materials	Black rubber
-----------	--------------



---

The descriptions and photographs contained in this product specification sheet are supplied by way of information only and are not binding.  
Watts Industries reserves the right to carry out any technical and design improvements to its products without prior notice. Warranty: All sales and contracts for sale are expressly conditioned on the buyer's assent to Watts terms and conditions found on its website at [www.wattswater.eu](http://www.wattswater.eu). Watts hereby objects to any term, different from or additional to Watts terms, contained in any buyer communication in any form, unless agreed to in a writing signed by an officer of Watts.

---



---

**Watts Industries Italia S.r.l.**  
Via Brenno, 21 • 20853 Biassono (MB) • Italy  
Tel. +39 039 4986.1 • Fax +39 039 4986.222  
[infowattsitatia@wattswater.com](mailto:infowattsitatia@wattswater.com) • [www.watts.com](http://www.watts.com)