

850T Series

850T Series solenoid valves

Technical Data Sheet



Description

Solenoid valves of the **850T Series** are devices designed to shut off the flow of fluids in pipelines automatically. Made of brass, they are available in normally closed or normally open versions, with female-female connections. The valve is indirectly operated, and suitable for handling fluids compatible with the materials used in manufacture. It is available in NC (normally closed) and NO (normally open) configurations using 230V and 24V power supply.



850T

Solenoid valve for water and air. Operating temperature: -10 to 90°C.

PN25. Available in normally closed (NC) and normally open (NO) versions.

Maximum differential pressure: 16 bar.

Requires minimum operating pressure of 0.2 bar. Models with FF threaded connections in sizes DN 3/8" to 1½".

Compliant with: IEC 335 – EN 60529 (DIN 40050)

IMPORTANT: the PG9 connector must always be ordered together with the valve.

Type	Part No.	DN	Power supply	Kv*
Normally Closed (NC) solenoid valve for water	850T38W220	3/8"	230Vac N.C.	60
	850T38W24	3/8"	24Vac N.C.	60
	850T12W220	1/2"	230Vac N.C.	70
	850T12W24	1/2"	24Vac N.C.	70
	850T34W220	3/4"	230Vac N.C.	140
	850T34W24	3/4"	24Vac N.C.	140
	850T1W220	1"	230Vac N.C.	190
	850T1W24	1"	24Vac N.C.	190
	850T114W220	1¼"	230Vac N.C.	400
Normally Open (NO) solenoid valve for water	850T112W220	1½"	230Vac N.C.	520
	850T38W220NA	3/8"	230Vac N.A.	60
	850T38W24NA	3/8"	24Vac N.A.	60
	850T12W220NA	1/2"	230Vac N.A.	70
	850T12W24NA	1/2"	24Vac N.A.	70
	850T34W220NA	3/4"	230Vac N.A.	140
	850T34W24NA	3/4"	24Vac N.A.	140
	850T1W220NA	1"	230Vac N.A.	190
	850T1W24NA	1"	24Vac N.A.	190
850T114W220NA	1¼"	230Vac N.A.	400	
850T112W220NA	1½"	230Vac N.A.	520	
PG9	P99035	Single connector		

*Kv=expressed in l/min of water at 20 °C with pressure drop of 1 bar through the solenoid valve

Technical specifications

Operating temperature	-10 to 90 °C
Maximum ambient temperature	40 °C
Minimum operating pressure	0.2 bar
Maximum differential pressure	Brass – CW617N
Operation	16 bar
Degree of protection	IP65 EN 60529 (DIN 40050)
Electrical compliance	IEC 335
Electrical connection with standard connector	DIN 43650
Maximum permissible viscosity	12 cSt / 2°E
Compatible fluids	Water, air, inert fluids
Coil power rating	8 W

Materials

Valve body	Brass UNI EN 12165 - CW617N
Sleeve	300 grade stainless steel
Moving core	400 grade stainless steel
Spring	300 grade stainless steel
Seals	NBR (Nitrile)

Application

These are valves with special features enabling them to cover a notably wide range of applications; in particular, they are intended for use as shut-off components in the circuits of heating, conditioning, cooling and treatment systems handling water, air and inert fluids.

Operation

The operation of **850T Series** solenoid valves consists in a movement of the valve element (piston, plunger) between a fully open and a fully closed position, controlled directly or indirectly by a solenoid (electromagnet/coil).

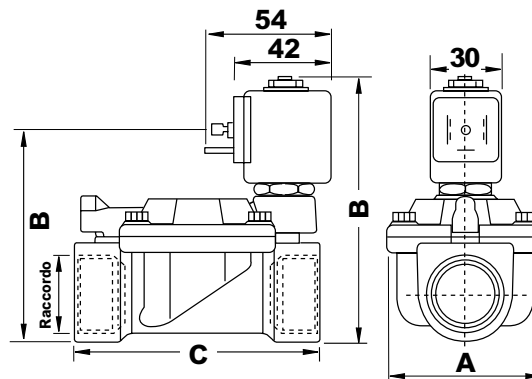
The essential parts of the valve are an electromagnetic coil, a moving core and a valve body. The coil is mounted directly on the guide tube (sleeve) housing the core, sealed and secured permanently to the valve body; the moving magnetic core is free to slide internally of the sleeve and held in position by a thrust spring (or return spring). When the solenoid is energized, the moving core is attracted by the force of the magnetic field and the valve element, which is rigidly associated with the core, opens (or closes) the passage.

These models are operated indirectly, or servo-controlled, and require a minimal differential pressure for their activation. Accordingly, the valve is equipped with a pilot nozzle, driven by the coil, and a diaphragm that closes the main valve port.

When the coil is energized, the core opens the pilot nozzle in such a way that pressure on the top side of the diaphragm can be released and directed toward the outlet of the valve body. This creates a pressure imbalance on the diaphragm, which consequently lifts, thereby allowing the valve to return completely to the normally closed position.

Overall dimensions (mm)

850T



DN	A	B	C
3/8"	40	103	72
1/2"	40	103	72
3/4"	65	105	104
1"	65	112	104
1¼"	98	125	144
1½"	98	125	144

Specification text

850T Series

850T Series water/air solenoid valve – WATTS brand – with female connections, size DN 3/8" up to 1½", for use in heating, conditioning, cooling and treatment systems handling water, air and inert fluids. Operating temperature range: -10 to 90 °C. PN25. Available in normally closed (NC) and normally open (NO) versions. Max. differential pressure: 16 bar.

Compliant with IEC 335-EN 60 529 (DIN40050) standards.



The descriptions and photographs contained in this product specification sheet are supplied by way of information only and are not binding. Watts Industries reserves the right to carry out any technical and design improvements to its products without prior notice. Warranty: all sales and contracts for sale are expressly conditioned on the buyer's assent to Watts terms and conditions found on its website at www.wattswater.eu. Watts hereby objects to any term, different from or additional to Watts terms, contained in any buyer communication in any form, unless agreed to in a writing signed by an officer of Watts.



Watts Industries Italia S.r.l.

Via Brenno, 21 • 20853 Biassono (MB) • Italy
Tel. +39 039 4986.1 • Fax +39 039 4986.222
infowattsitalia@wattswater.com • www.watts.com