

# 195UM, 196UM, 1195UM, 1196UM Series

Lockshield valves

## Technical Data Sheet



## Description

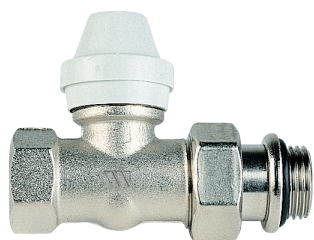
**195UM, 196UM, 1195UM and 1196UM Series** lockshields are used as shut-off and control devices for heat emitters (radiators, fan coils, radiant panels, etc.) in heating and air conditioning systems. The lockshields are available in right-angle and straight configuration, with male or female thread, and must be installed on the flow side of the heat emitter. They are equipped with an O-ring-sealed straight tailpiece.



### 195UM

Nickel-plated micrometric lockshield. Right-angle body. Connection for iron pipe. Straight tailpiece with O-ring. ABS cap.

Type	Part No.	DN	Kvs	Weight (g)
195UM	195UMSN38	3/8"	1.9	200
195UM	195UMSN12	1/2"	2.1	250
195UM	195UMSN34	3/4"	5.0	500



### 196UM

Nickel-plated micrometric lockshield. Straight body. Connection for iron pipe. Straight tailpiece with O-ring. ABS cap.

Type	Part No.	DN	Kvs	Weight (g)
196UM	196UMSN38	3/8"	1.1	110
196UM	196UMSN12	1/2"	1.7	150
196UM	196UMSN34	3/4"	3.5	350



### 1195UM

Nickel-plated micrometric lockshield. Right-angle body. 1/2" connection for copper or plastic pipe. Straight tailpiece with O-ring. ABS cap.

Type	Part No.	DN Body	DN Pipe	Kvs	Weight (g)
1195UM	1195UMSN38X	3/8"	1/2"	2.1	170
1195UM	1195UMSN12	1/2"	1/2"	2.1	250



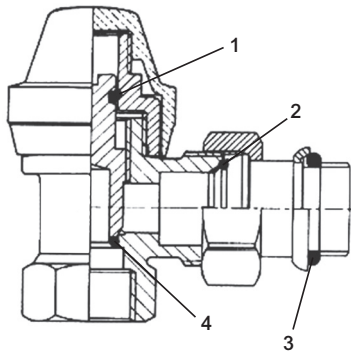
### 1196UM

Nickel-plated micrometric lockshield. Straight body. 1/2" connection for copper or plastic pipe. Straight tailpiece with O-ring. ABS cap.

Type	Part No.	DN Body	DN Pipe	Kvs	Weight (g)
1196UM	1196UMSN38X	3/8"	1/2"	1.7	110
1196UM	1196UMSN12	1/2"	1/2"	1.7	150

#### Technical/design features

Maximum temperature	110°C
Maximum pressure	10 bar
Usable fluids	water, including with glycol ≤ 50%
Valve body	CW617N brass
O-Ring	EPDM
Handwheel	ABS
Tailpiece	CW617N brass



#### Features

- 1) O-ring on the outside
- 2) O-ring sealed straight tailpiece
- 3) O-ring on radiator side
- 4) Disc O-ring

The reliability of the **195UM, 196UM, 1195UM and 1196UM Series** lockshields is guaranteed by the fact that every single product is tested to ensure the outward pressure tightness of the valve body and its components, and the pressure tightness of the disc when it shuts off the flow.

## Application

Although not strictly setting devices, the lockshields can be used for hydraulic balancing of heat emitters by adjusting the disc stroke.

## Operation

Operation is controlled by manual movement of the disc that shuts off the heat carrier fluid. The fluid flow rate and pressure drop can be determined from the relevant flow curves.

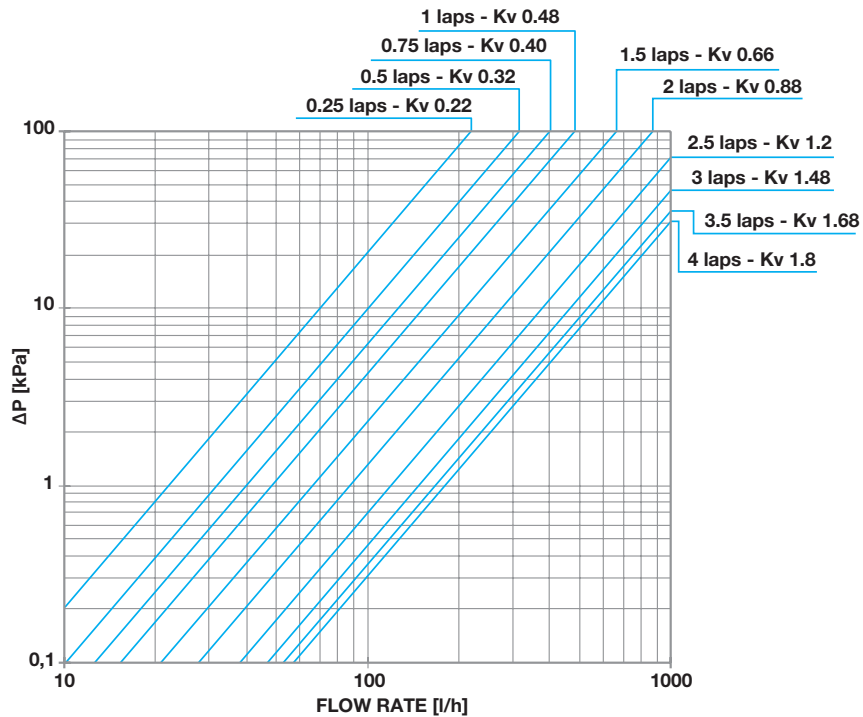
## Adjustment

To adjust the lockshield, remove the cap and turn the disc with a wide-blade screwdriver. The setting positions can be identified by the number of opening turns of the lockshield starting from the fully closed position.

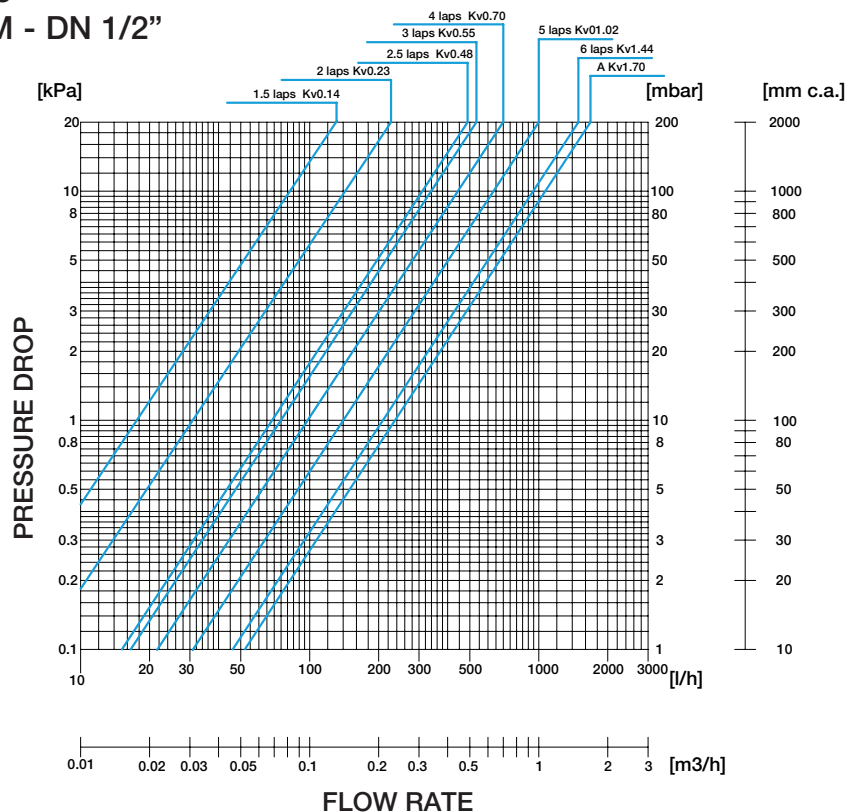
Kv values: the setting positions can be identified by the number of opening turns of the lockshield starting from the fully closed position						
Number of opening turns	195UM 3/8"	1195UM 3/8" 195UM 1/2" 1195UM 1/2"	195UM 3/4"	196UM 3/8"	1196UM 3/8" 196UM 1/2" 1196UM 1/2"	196UM 3/4"
<b>1.5</b>	0.14	0.14	0.65	0.14	0.14	0.60
<b>2</b>	0.32	0.36	1.00	0.32	0.23	0.90
<b>2.5</b>	0.75	0.53	1.32	0.65	0.48	1.20
<b>3</b>	0.95	0.66	1.68	0.75	0.55	1.51
<b>4</b>	1.22	0.97	2.60	0.92	0.70	2.20
<b>5</b>	1.51	1.42	3.78	1.05	1.02	2.70
<b>6</b>	1.78	1.90	4.30	-	1.44	3.10
<b>A</b>	1.90	2.10	5.00	1.10	1.70	3.50

## Charts

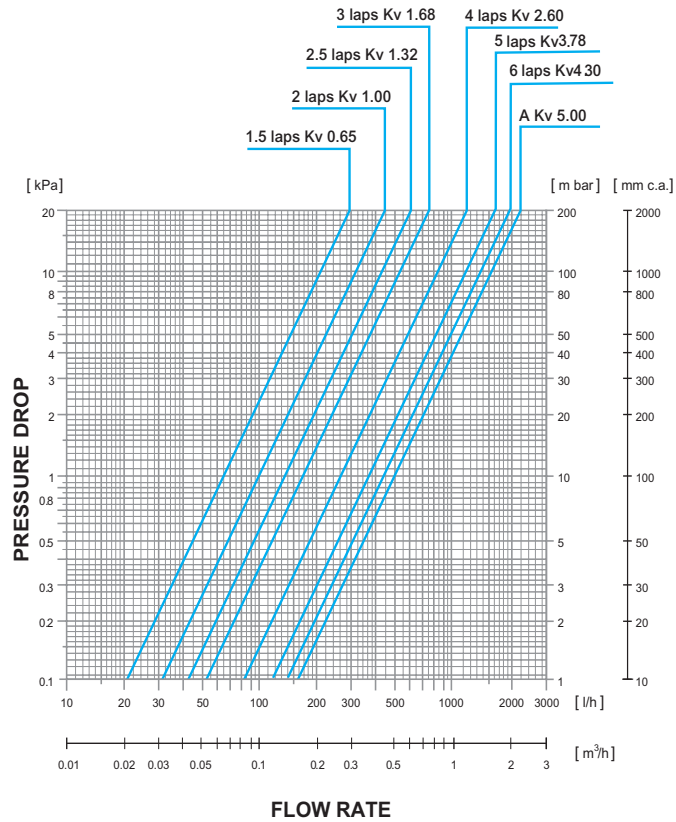
Right-angle body: extent of opening expressed in turns  
195UM - DN 3/8"



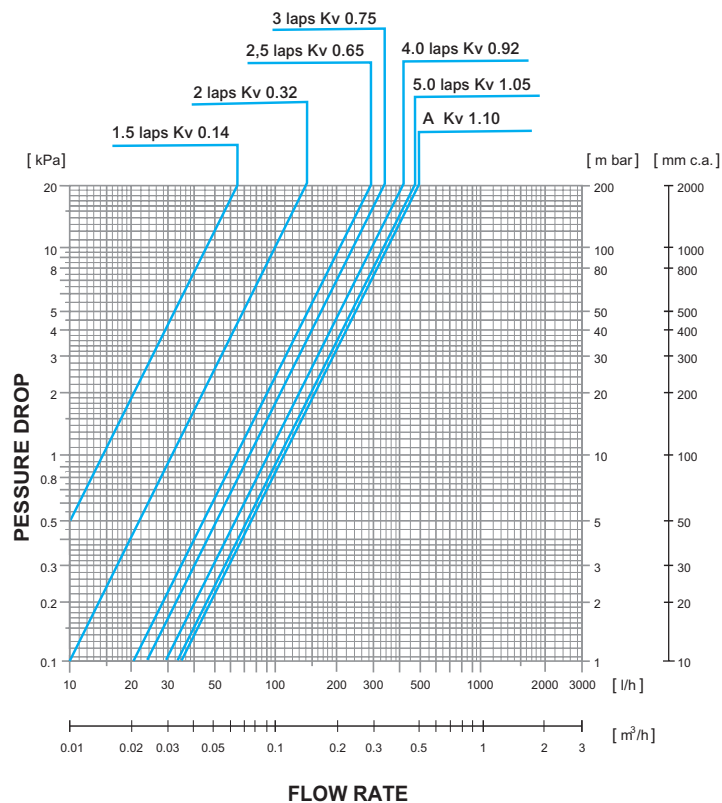
Right-angle body: extent of opening expressed in turns  
1195UM - DN 3/8"  
195UM - 1195UM - DN 1/2"



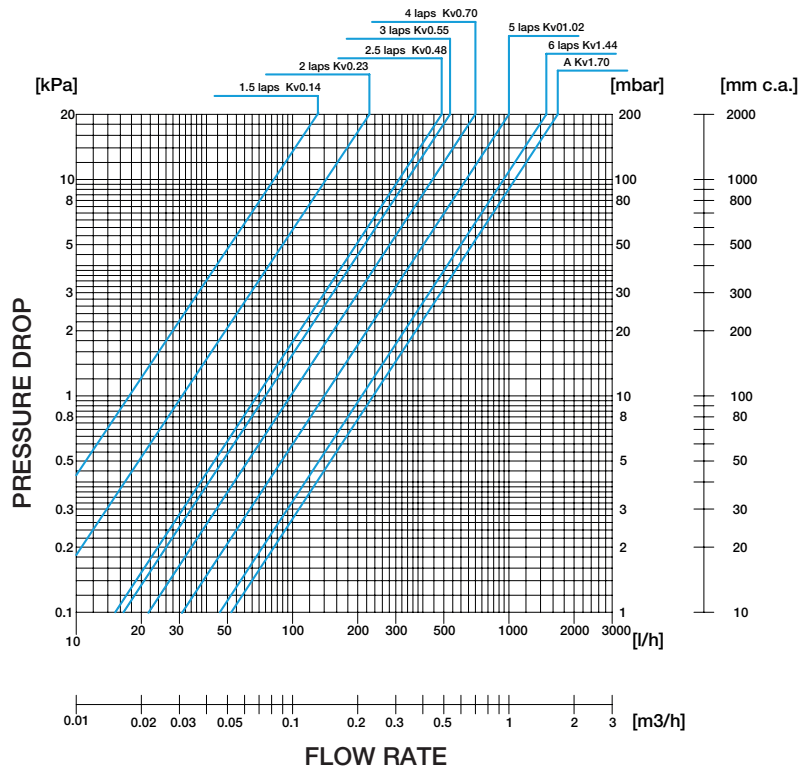
**Right-angle body: extent of opening expressed in turns**  
**195UM - DN 3/4"**



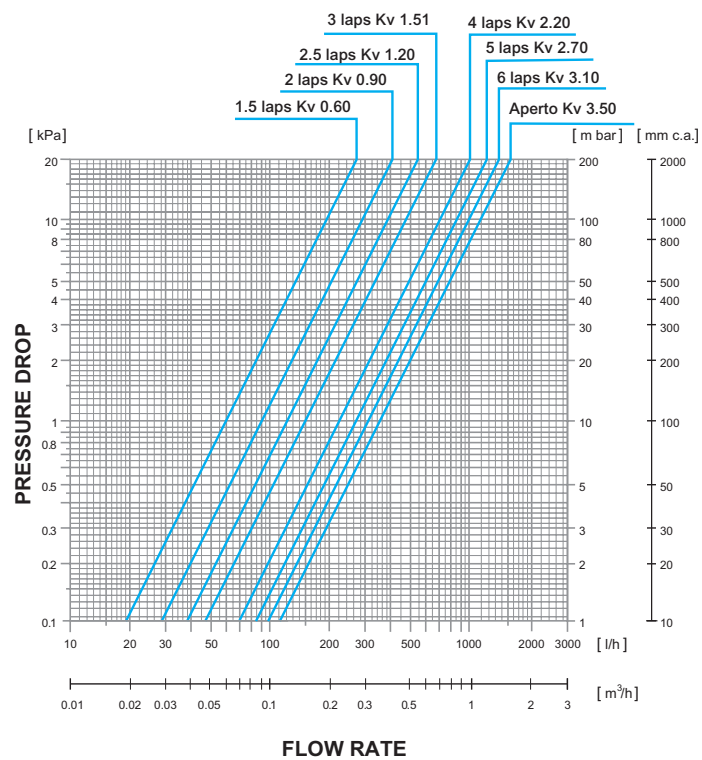
**Straight body: extent of opening expressed in turns**  
**196UM - DN 3/8"**



Straight body: extent of opening expressed in turns  
 196UM - 1196UM - DN 1/2"  
 1196UM - DN 3/8"

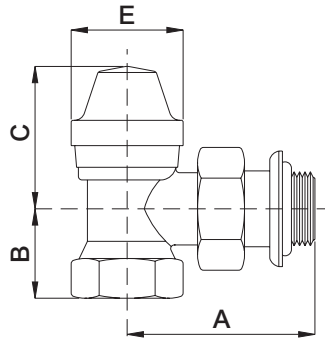


Straight body: extent of opening expressed in turns  
 196UM - DN 3/4"



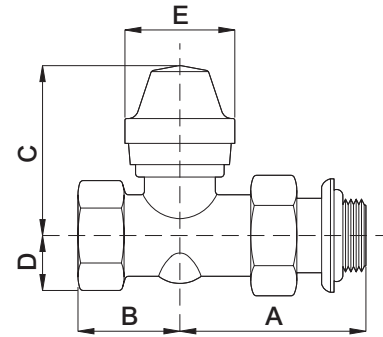
## Overall dimensions (mm)

### 195UM



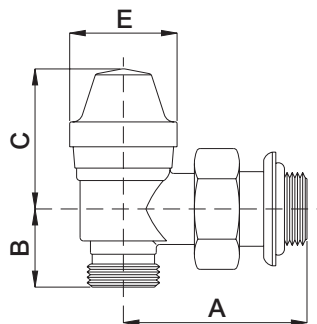
DN	A	B	C	E
3/8"	48	21	36	31
1/2"	52	25	40	31
3/4"	60	29	50	41

### 196UM



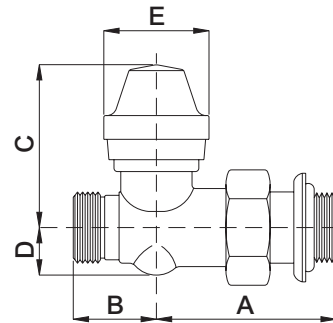
DN	A	B	C	D	E
3/8"	48	25	42	12	31
1/2"	52	28	45	14	31
3/4"	60	33	60	18	41

### 1195UM



DN	A	B	C	E
3/8"	48	19	36	31
1/2"	52	19	40	31

### 1196UM



DN	A	B	C	D	E
3/8"	48	23	42	11	31
1/2"	52	23	45	13	31

## Installation

Lockshield selection is based on the size of the connection to the radiator and the size of the connecting pipe. **195UM, 196UM, 1195UM and 1196UM Series** lockshields can be installed on heat emitters supplied by either copper or plastic pipes.

## Specification text

---

### **195UM Series**

Micrometric control and shut-off lockshield valve **195UM Series** – WATTS brand. Right-angle body in pressed nickel-plated brass. Disc with metal seal. Stroke adjustment with wide-blade screwdriver. ABS cap. Pre-sealed straight tailpiece with finishing washer. Maximum operating temperature: 110°C. Maximum operating pressure: 10 bar. Connection for iron pipe: 3/8"F-1/2"F-3/4"F. Kvs: 1.9 (3/8"); 2.1 (1/2"); 5.0 (3/4").

### **196UM Series**

Micrometric control and shut-off lockshield valve **196UM Series** – WATTS brand. Straight body in pressed nickel-plated brass. Disc with metal seal. Stroke adjustment with wide-blade screwdriver. ABS cap. Pre-sealed straight tailpiece with finishing washer. Max. operating temperature: 110°C. Maximum operating pressure: 10 bar. Connection for iron pipe: 3/8"F-1/2"F-3/4"F. Kvs: 1.1 (3/8"); 1.7 (1/2"); 3.5 (3/4").

### **1195UM Series**

Micrometric control and shut-off lockshield **1195UM Series** – WATTS brand. Right-angle body in pressed nickel-plated brass. Disc with metal seal. Stroke adjustment with wide-blade screwdriver. ABS cap. Pre-sealed straight tailpiece with finishing washer. Maximum operating temperature: 110°C. Maximum operating pressure: 10 bar. Body connection: 3/8"M-1/2"M. Connection for copper or plastic/multi-layer pipe: 1/2"M. Kvs: 2.1.

### **1196UM Series**

Micrometric control and shut-off lockshield **1196UM Series** – WATTS brand. Straight body in pressed nickel-plated brass. Disc with metal seal. Stroke adjustment with wide-blade screwdriver. ABS cap. Pre-sealed straight tailpiece with finishing washer. Maximum operating temperature: 110°C. Maximum operating pressure: 10 bar. Body connection: 3/8"M-1/2"M. Connection for copper or plastic/multi-layer pipe: 1/2"M. Kvs: 1.7.

---

The descriptions and photographs contained in this product specification sheet are supplied by way of information only and are not binding.

Watts Industries reserves the right to carry out any technical and design improvements to its products without prior notice. Warranty: All sales and contracts for sale are expressly conditioned on the buyer's assent to Watts terms and conditions found on its website at [www.wattsindustries.com](http://www.wattsindustries.com). Watts hereby objects to any term, different from or additional to Watts terms, contained in any buyer communication in any form, unless agreed to in a writing signed by an officer of Watts.

---



**Watts Industries Italia S.r.l.**

Via Brenno, 21 • 20853 Biassono (MB) • Italy  
Tel. +39 039 4986.1 • Fax +39 039 4986.222  
[infowattsitatia@wattswater.com](mailto:infowattsitatia@wattswater.com) • [www.wattsindustries.com](http://www.wattsindustries.com)