

## For Residential Applications

Job Name \_\_\_\_\_

Contractor \_\_\_\_\_

Job Location \_\_\_\_\_

Approval \_\_\_\_\_

Engineer \_\_\_\_\_

Contractor's P.O. No. \_\_\_\_\_

Approval \_\_\_\_\_

Representative \_\_\_\_\_

# LEAD FREE\*

## Series LF150A Water Hammer Arrestors

Sizes: 1/2" and 3/4" (15 and 20mm)

For residential/domestic water system applications, only.

### What is Water Hammer?

The noise from banging pipes is caused by shocks of high speed water flowing in the pipe when a fixture is suddenly closed. Sudden stoppage causes a "bounceback" of the water and is called water hammer. It might be compared to driving your car at slow speed into a wall where the effect is negligible. However, if you drove the car at a much higher speed, the impact would be greater, and consequently, so would the bounceback or shock.

Dishwashers, clothes washers, quick-closing faucets all contribute to creating water hammer which is not only annoying but damaging to pipes and appliances. The simple, economical solution is Watts Series LF150A designed with a pre-charged air chamber and a rugged sealed-in diaphragm which flexes to absorb the shock. It can be installed vertically, horizontally or at any angle.

### Features

- Pre-charged air chamber
- Sealed in diaphragm
- Complete stainless steel chamber construction
- Rechargeable

### Pressure — Temperature

For residential/domestic water systems only.

**Not for commercial applications.**

Maximum working pressure: 150psi (10.3 bar)

Maximum temperature: 180°F (82°C)

Maximum velocity: 10 ft/sec. (305 cm/sec.)

Maximum shock pressure: 200psi (13.8)

10 cu. inch (164 cu. cm) total volume.

Weight: 12 oz. (9.6 gm)



Certified to  
NSF/ANSI 372

\*The wetted surface of this product contacted by consumable water contains less than 0.25% of lead by weight.

Watts product specifications in U.S. customary units and metric are approximate and are provided for reference only. For precise measurements, please contact Watts Technical Service. Watts reserves the right to change or modify product design, construction, specifications, or materials without prior notice and without incurring any obligation to make such changes and modifications on Watts products previously or subsequently sold.

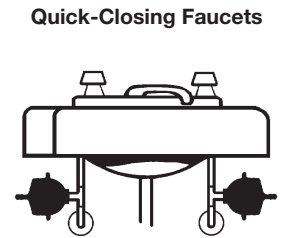
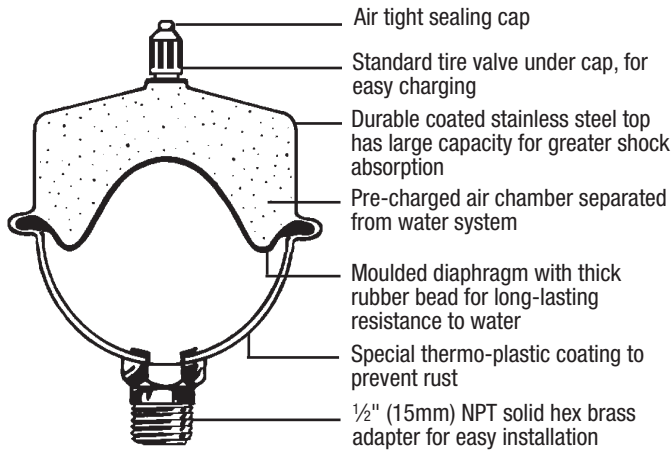


Model LF150A

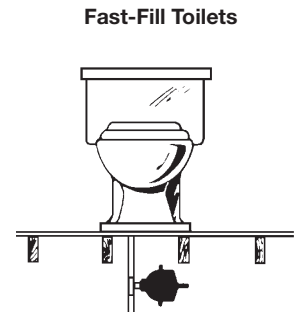
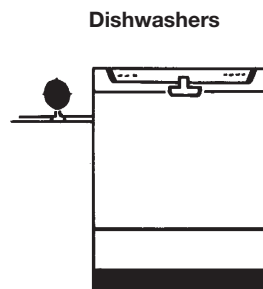
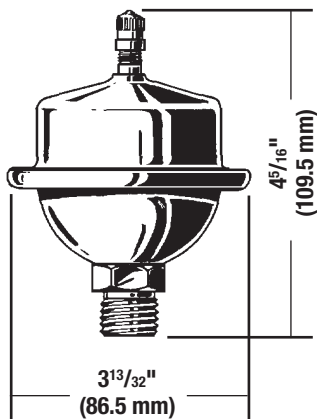


Model LF150A-HA

MODEL NO.	ORDERING CODE	SIZE
<b>WATER HAMMER ARRESTOR (only)</b>		
LF150A	0121227	1/2"
<b>FITTING only for 1/2" SHOCK ARRESTOR for WASHING MACHINES with 3/4" hose thread connection</b>		
LF150HA	0121229	3/4" HT
<b>WATER HAMMER ARRESTOR and FITTING with 3/4" hose thread connection for washing machines</b>		
LF150A-HA	0121231	3/4" HT



### Dimensions - Weights



NOMINAL PIPE SIZE		LENGTH PIPE UP TO		FLOW PRESSURE - PSIG AND NUMBER OF 150A VALVES TO INSTALL												WEIGHT			
in.	mm	ft.	mtr.	psi	bar	psi	bar	psi	bar	psi	bar	psi	bar	psi	bar	psi	bar	oz.	gram
1/2" NPT	15	50	15.24	LF150A	→	→	→	→	→	→	→	→	→	2-LF150A	→	→	→	12	9.6
		75	22.86	LF150A	→	→	→	→	→	→	→	→	→	→	→	→	→	12	9.6
		100	30.48	LF150A	→	→	→	→	→	→	→	→	→	→	→	→	→	12	9.6
3/4" HOSE	20	25	7.62	LF150A-HA	→	→	→	→	→	→	→	→	→	→	→	→	→	12	9.6
		50	15.24	LF150A-HA	→	→	→	→	→	→	→	→	→	→	→	→	→	12	9.6
		75	22.86	LF150A-HA	→	→	→	→	→	→	→	→	→	→	→	→	→	12	9.6

Chart based on 10 foot/sec. (3.05 meter/sec) velocity and 150psi (10.55 bar) shock pressure. **Note:** Metric equivalents shown are for comparison reference only.



A Watts Water Technologies Company



USA: Tel: (978) 688-1811 • Fax: (978) 794-1848 • www.watts.com  
 Canada: Tel: (905) 332-4090 • Fax: (905) 332-7068 • www.watts.ca