

Xylia2 Butterfly valves

Wafer-Type (DN50-DN300)

Lug-Type (DN50-DN300)

Technical Data Sheet



Description

The Xylia butterfly valve has been designed for HVAC applications.



Xylia2 butterfly valves

DN 50 up to 300 mm

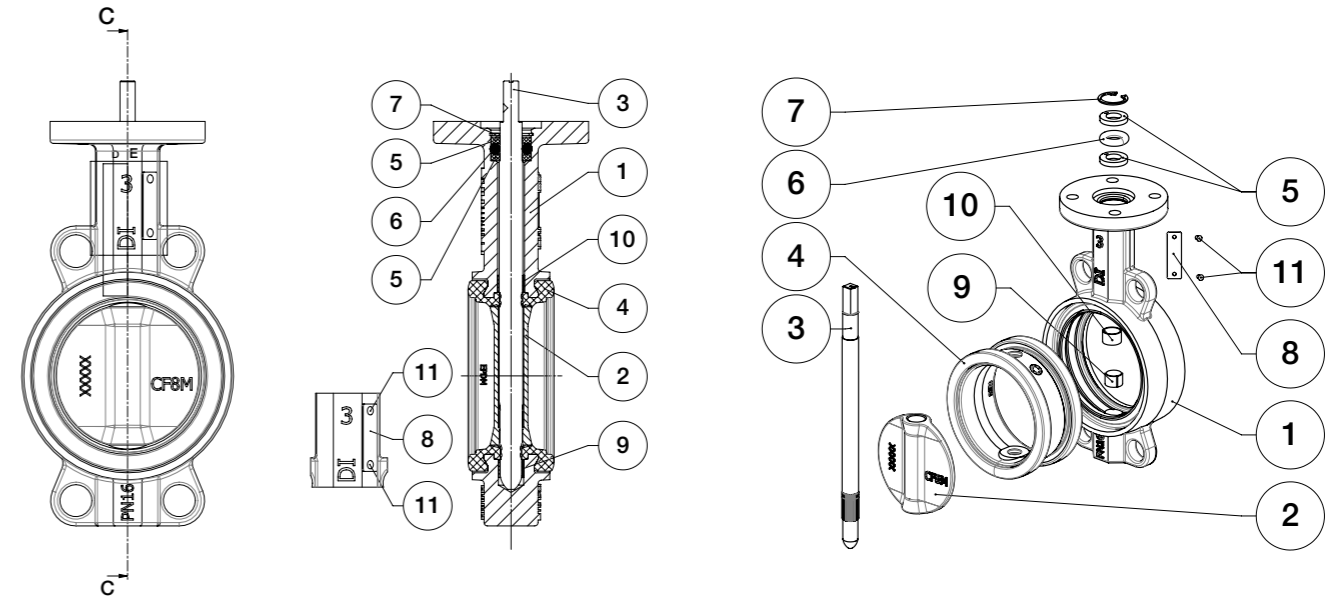
- Body ductile iron 1.3107
- Lug and Wafer type
- Disc ductile iron EPOXY or Stainless Steel
- Liner EPDM
- Working pressure : 16 bar
- Working temperature : -20°C à +120°C (peak T°)
- Tested according to EN12266-1
- Anti-ejection ring / Double watertightness / Riveted label



Main technical features - Design in accordance with EN 593

1	Top connection according to ISO5211 standard
2	Spline driven shaft connected to spherically machined disc. Floating disc allows self centring thus preventing stress on the liner during operation
3	Tongue and groove seat design allows perfect tightness.
4	Circlip preventing ejection of shaft
5	Secondary sealing
6	One piece shaft in stainless steel
7	Elastomer liner ensures full protection of shaft and body
8	Face to face dimensions according to : ISO 5752 class 20 NFEN 558 class 20 API609 table 2
9	Connection between flanges PN16 according to EN1092-1 and EN1092-2

Spare parts list and materials



N°	Description	Qty	Materials	EN
1	Body	1	Ductile iron	EN GJS450-10 (5.3107)
2	Disc	1	Ductile iron Stainless steel	EN GJS450-10 (5.3107) GXS CriNiMo 19-11-2 (1.4408)
3	Shaft	1	Stainless steel	X30 Cr13 (1.4028)
4	Liner	1	EPDM	-
5	Bush 2	1	Plastic	Grivory GV4
6	O-ring	1	Nitrile	-
7	Circlips	1	Steel	-
8	Identification plate	1	Stainless Steel	Inox 304 - 1.4301

Pressure

DIRECTIVE 2014/68/UE EQUIPMENTS UNDER PRESSURE

Products manufactured in conformity with the requirements of the directive, according to pressure, DN and fluid.

Liners	DN mm	Cat.	Mounting	PFA	PS			
					L1	L2	G1	G2
XYLIA2 16 bar	50 - 100	4.3	Flanges	16	NA	16	NA	NA
			End of line	12	NA	12	NA	NA
	125	4.3	Flanges	16	NA	16	NA	NA
			End of line	12	NA	12	NA	NA
	150	4.3	Flanges	16	NA	16	NA	NA
			End of line	12	NA	12	NA	NA
	200 - 300	4.3	Flanges	16	NA	16	NA	NA
			End of line	10	NA	10	NA	NA

PS : Maximum allowable pressure (in bar) according to Directive 2014/68/UE
PFA : Allowable operating pressure (in bar) for supply, distribution and disposal of water.

The Xylia2 butterfly valve is suitable for plumbing and HVAC applications.

Installation

General remarks

For safety reasons, the installation must take place under the supervision of authorised people taking account of local safety instructions and advice.

The handling of butterfly valves and their controls must be done by staff trained in all technical aspects of their operation.

Before installation the pipes must be depressurised and purged (empty of its fluid) in order to avoid any danger to the operator.

The pipe work must be correctly aligned so that no extra stress is exerted on the valve casing.

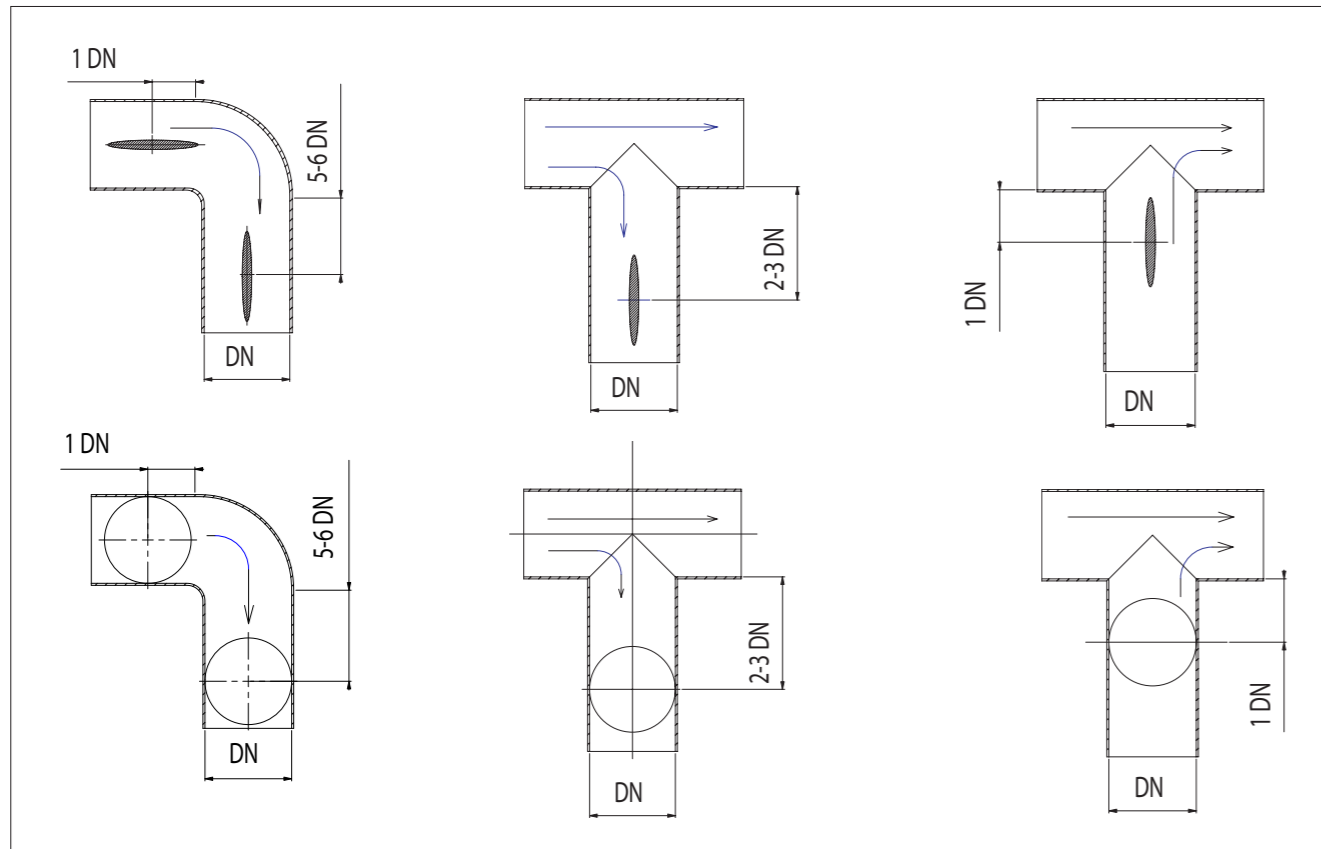
Check the compatibility of the connection flanges against the operating pressure : the PN number of the flanges must be greater or equal to the operating pressure.

The valve is a machined piece of equipment and must not be used to prise apart the flanges.

Installation conditions

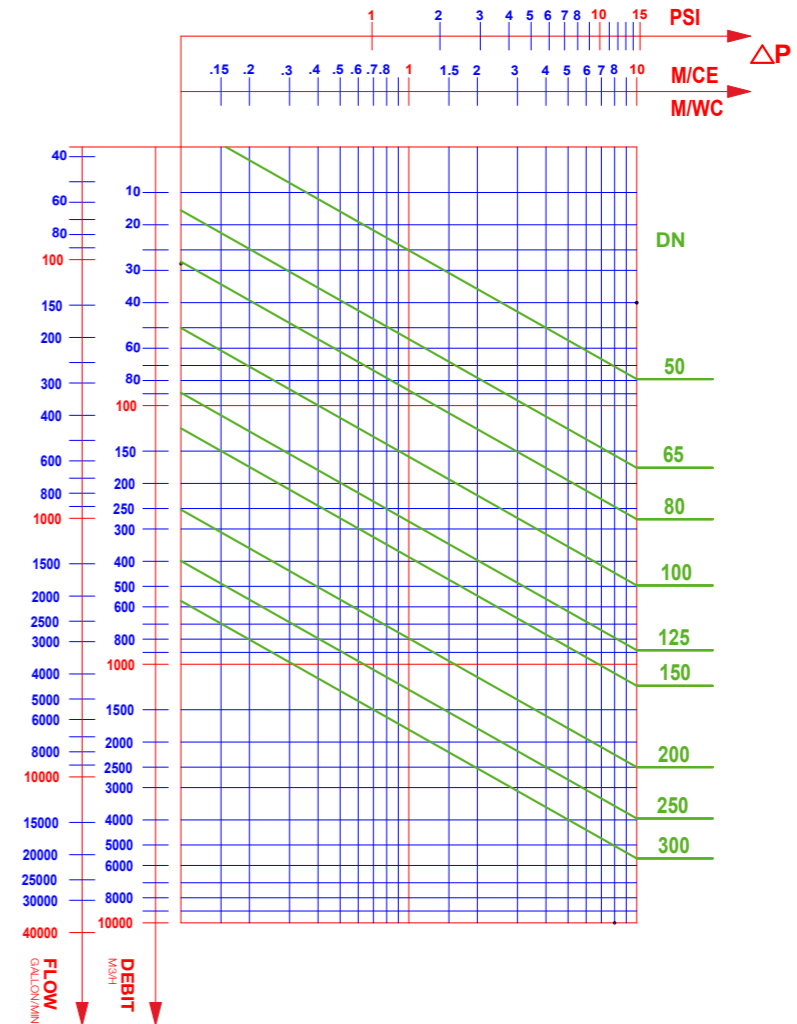
It is recommended that the distances mentioned below be respected in order to prolong the life time of the valve.

Mounting the valve close to pipe work junctions places it in turbulent zones which increase its wear.



Functioning characteristics

Headloss diagram (Δp)



Connecting flanges

4 centering lugs

Diameter	EN 1092-1 e EN 1092-2	ASME/ANSI B16.5 Class 150
DN	NPS	PN16
50	2	•
65	2 ½	•
80	3	•
100	4	•
125	5	•
150	6	•
200	8	•
250	10	•
300	12	•

• : possible mounting
■ : impossible mounting

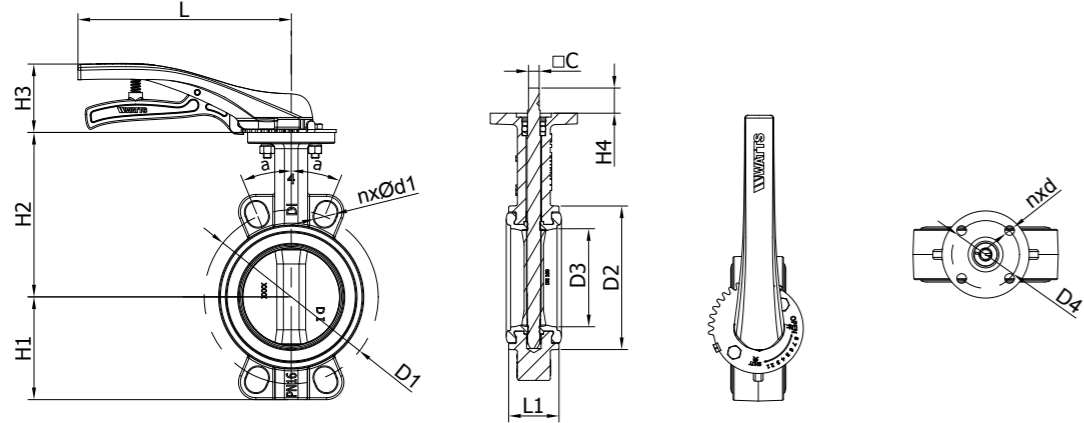
Tapped lugs

Diameter	EN 1092-1 e EN 1092-2
DN	NPS
50	2
65	2 ½
80	3
100	4
125	5
150	6
200	8
250	10
300	12

• : possible mounting

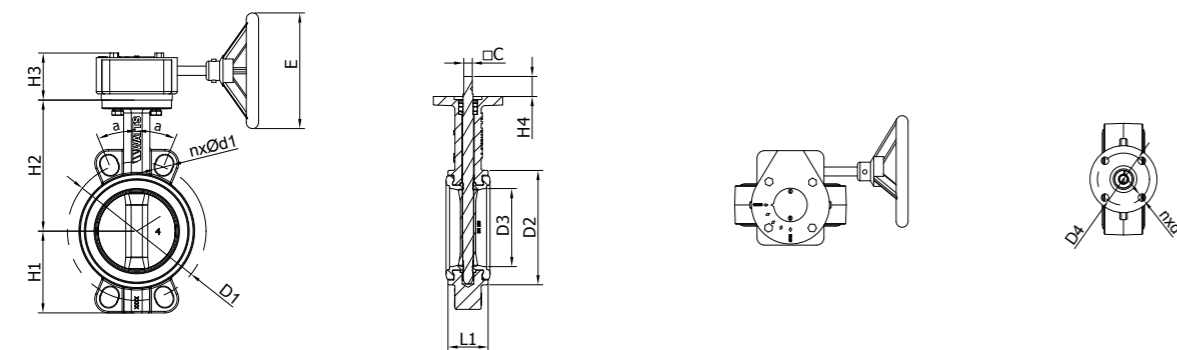
Wafer-Type (DN50-DN300)

1. Wafer-type lever operated midline butterfly valve



DN	H1	H2	H3	H4	L1	L	C	D1	nxØ	α	D2	D3	D4	nxØd
50	62	136	71.2	24	43	218	9	Ø125	4-Ø19	45°	Ø91	Ø54	Ø70	4-Ø10
65	70	145	71.2	24	46	218	9	Ø145	4-Ø19	45°	Ø108	Ø70	Ø70	4-Ø10
80	89	151	71.2	24	46	218	9	Ø160	4-Ø19	22.5°	Ø123	Ø85	Ø70	4-Ø10
100	106	170	71.2	26	52	218	11	Ø180	4-Ø19	22.5°	Ø148	Ø100	Ø70	4-Ø10
125	119	190	71.2	26	56	304	14	Ø210	4-Ø19	22.5°	Ø178	Ø128	Ø70	4-Ø10
150	131	203	71.2	26	56	304	14	Ø240	4-Ø23	22.5°	Ø205	Ø155	Ø70	4-Ø10

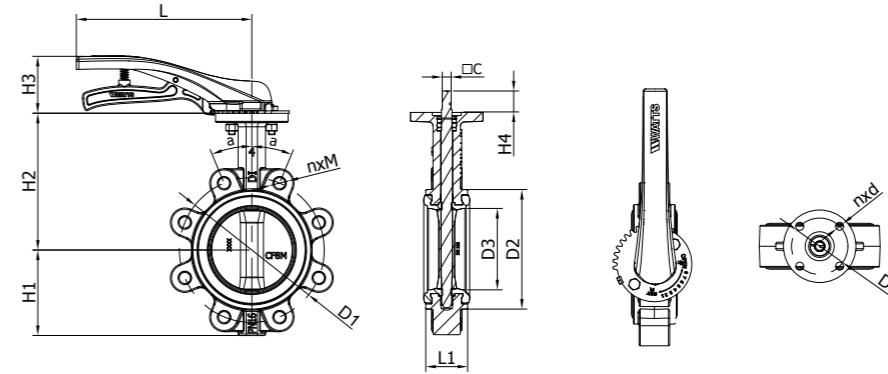
2. Wafer-type gear operated midline butterfly valve



DN	H1	H2	H3	H4	L1	ØE	C	D1	nxØd1	α	D2	D3	D4	nxØd
50	62	136	55.7	24	43	Ø142	9	Ø125	4xØ19	45°	Ø91	Ø54	Ø70	4-Ø10
65	70	145	55.7	24	46	Ø142	9	Ø145	4xØ19	45°	Ø108	Ø70	Ø70	4-Ø10
80	89	151	55.7	24	46	Ø142	9	Ø160	4xØ19	22.5°	Ø123	Ø85	Ø70	4-Ø10
100	106	170	55.7	26	52	Ø142	11	Ø180	4xØ19	22.5°	Ø148	Ø100	Ø70	4-Ø10
125	119	190	55.7	26	56	Ø142	14	Ø210	4xØ19	22.5°	Ø178	Ø128	Ø70	4-Ø10
150	131	203	55.7	26	56	Ø142	14	Ø240	4xØ23	22.5°	Ø205	Ø155	Ø70	4-Ø10
200	164	245.5	75	33	60	Ø258	17	Ø295	4xØ23	15°	Ø262	Ø200	Ø102	4-Ø12
250	199	271	74	27	68	Ø258	22	Ø355	4xØ28	15°	Ø314	Ø250	Ø102	4-Ø12
300	230	296	74	27	78	Ø258	22	Ø410	4xØ28	15°	Ø366	Ø300	Ø102	4-Ø12

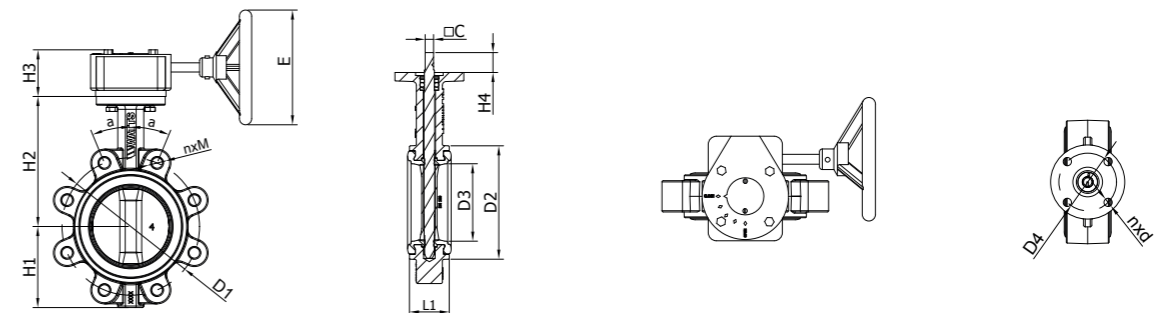
Lug-Type (DN50-DN300)

1. Wafer-type lever operated midline butterfly valve



DN	H1	H2	H3	H4	L	L1	C	D1	nxm	α	D2	D3	D4	nxØd
50	62	136	95	24	218	43	9	Ø125	4xM16	45°	Ø91	Ø54	Ø70	4xØ10
65	70	145	95	24	218	46	9	Ø145	4xM16	45°	Ø108	Ø70	Ø70	4xØ10
80	89	151	95	24	218	46	9	Ø160	8xM16	22.5°	Ø123	Ø85	Ø70	4xØ10
100	106	170	95	26	218	52	11	Ø180	8xM16	22.5°	Ø148	Ø100	Ø70	4xØ10
125	119	190	30	26	304	56	14	Ø210	8xM16	22.5°	Ø178	Ø128	Ø70	4xØ10
150	131	203	30	26	304	56	14	Ø240	8xM20	22.5°	Ø205	Ø155	Ø70	4xØ10

2. Lug-type gear operated midline butterfly valve



DN	H1	H2	H3	H4	ØE	L1	C	D1	nxm	α	D2	D3	D4	nxØd
50	62	136	66	24	Ø142	43	9	Ø125	4xM16	45°	Ø91	Ø54	Ø70	4xØ10
65	70	145	66	24	Ø142	46	9	Ø145	4xM16	45°	Ø108	Ø70	Ø70	4xØ10
80	89	151	66	24	Ø142	46	9	Ø160	8xM16	22.5°	Ø123	Ø85	Ø70	4xØ10
100	106	170	66	26	Ø142	52	11	Ø180	8xM16	22.5°	Ø148	Ø100	Ø70	4xØ10
125	119	190	66	26	Ø142	56	14	Ø210	8xM16	22.5°	Ø178	Ø128	Ø70	4xØ10
150	131	203	66	26	Ø142	56	14	Ø240	8xM20	22.5°	Ø205	Ø155	Ø70	4xØ10
200	164	245.5	82	33	Ø258	60	17	Ø295	12xM20	15°	Ø262	Ø200	Ø102	4xØ12
250	199	271	82	27	Ø258	68	22	Ø355	12xM24	15°	Ø314	Ø250	Ø102	4xØ12
300	230	296	84	27	Ø258	78	22	Ø410	12xM24	15°	Ø366	Ø300	Ø102	4xØ12

The descriptions and photographs contained in this product specification sheet are supplied by way of information only and are not binding. Socla reserves the right to carry out any technical and design improvements to its products without prior notice. Warranty : All sales and contracts for sale are expressly conditioned on the buyer's assent to Socla terms and conditions found on its website at www.socla.com. Socla hereby objects to any term, different from or additional to Socla terms, contained in any buyer communication in any form, unless agreed to in a writing signed by an officer of Socla.



A WATTS Brand

Watts Industries Italia S.r.l.

Via Brenno 21 • • 20853 Biassono (MB) • Italy
Tel. +39 039 4986.1 • Fax +39 039 4986.222
infowattsitatia@wattswater.com • www.watts.com