

Connecting heat pumps

with quality Watts connection technology





Expertise and experience

Heat pump technology has an increasingly important role to play in times of climate change if ambitious targets for CO₂ reduction are to be met. Watts has been developing connection technology for heat pumps, solar heating systems and conventional heat generators from many manufacturers for many years and is therefore regarded as a reliable, expert supplier in this field.

A wide range of components and modular systems is available from Watts for connecting heat pumps, starting with the Microflex piping system for underground installation, pump units for primary circuits, a comprehensive selection of safety valves and products for connecting solar thermal systems. Watts supplies compact pump units for mixed and unmixed circuits, heating manifolds, and control units for domestic heat distribution as well as electrical connection boxes for underfloor heating, and a complete range of products for connecting radiators. As far as room temperature control is concerned, we offer electric RF connection boxes and RF thermostats as well as the complete smart home control system, Watts Vision®, for heating/cooling, electricity and lighting.

This comprehensive range provides customers and end users across the globe with high-quality, optimally matched products from a single source.

The benefits at a glance:

- Many years of experience results in the development of innovative connection technology for heat pumps
- Easier planning and fitting due to a wide range of perfectly compatible components and modular systems
- One-stop supplier: easier procurement and warehousing, one point of contact for all your needs!

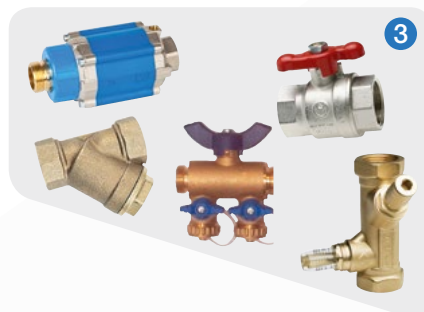
Components and systems



Brine manifold
for connecting geothermal probes



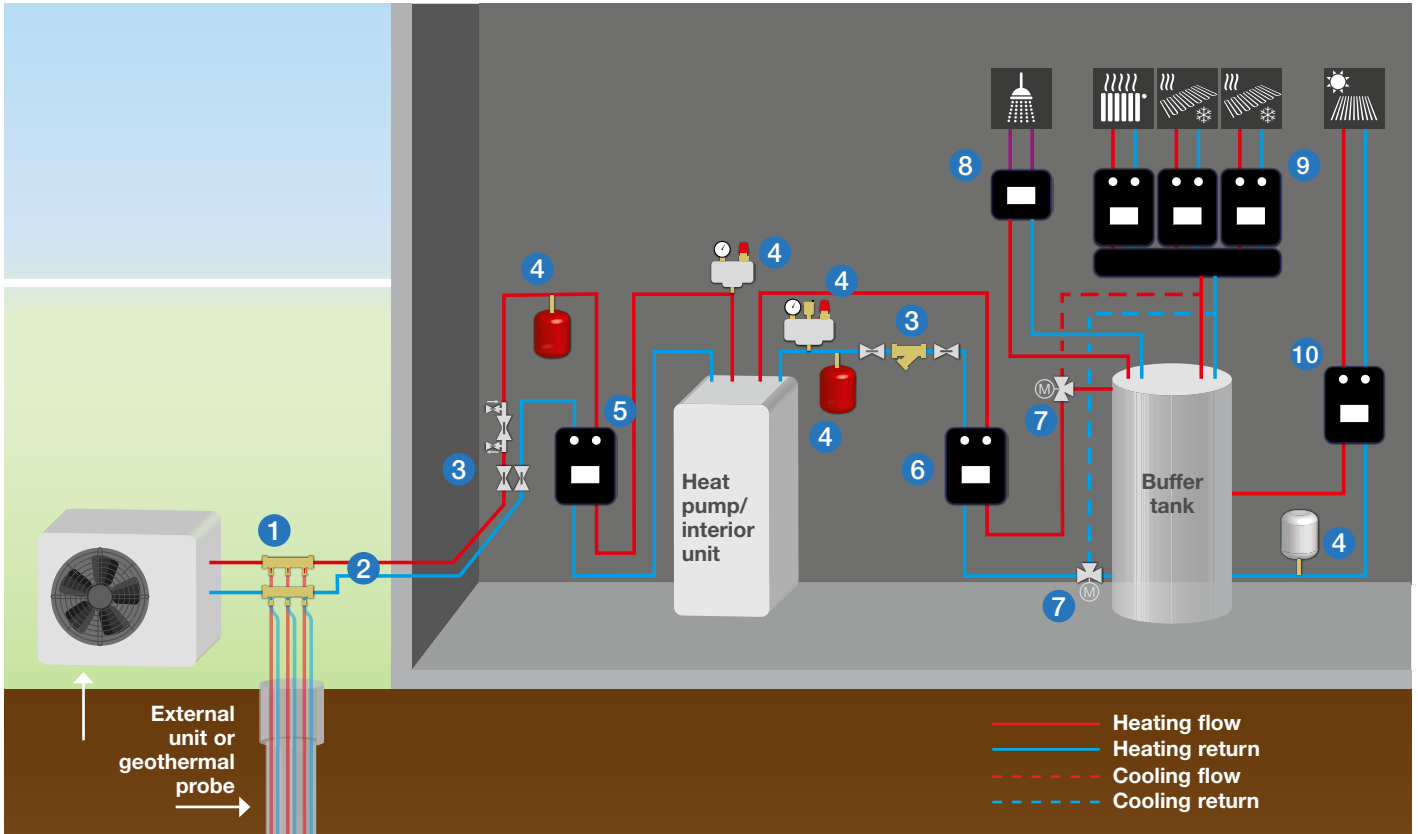
Microflex piping system
flexible, pre-insulated piping system for direct installation underground



Pipework valves
ball valves, fill and flush valves, strainers, balancing valves, differential pressure regulators, etc.



Safety valves
boiler safety groups, expansion vessels, cap valves, quick couplings, vessel connection groups, etc.



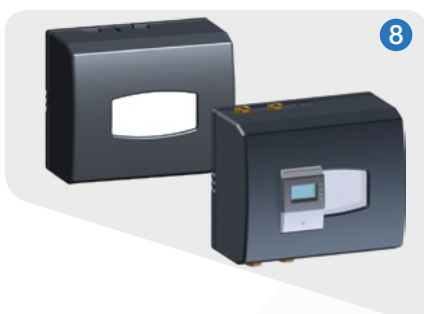
Primary circuit pump units
for air to water split systems or brine-to-water heat pumps



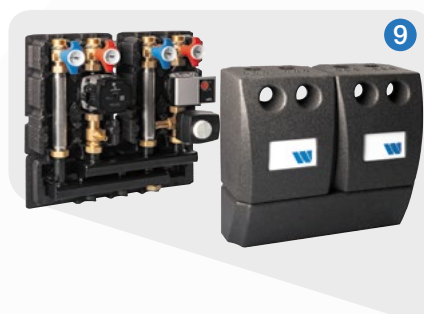
Secondary circuit pump units
e.g. for storage tank loading



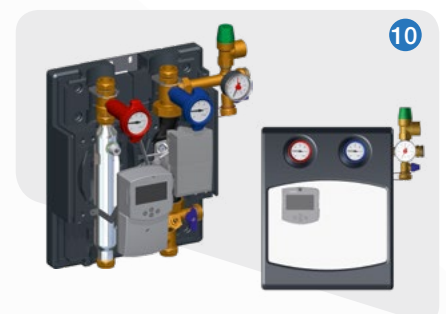
2-way and 3-way zone valves
with electrothermal actuators for switching between heating/cooling or as mixing and diverting valves



Domestic fresh water units
compact, electronically or thermostatically controlled units for central generation of domestic hot water using the flow-through principle



DN20/DN32 pump units
with boiler manifolds for heat distribution in mixed and unmixed heating/cooling circuits



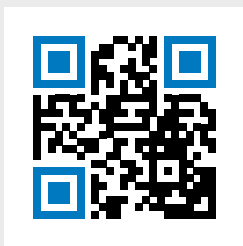
Pump units for solar systems
for connecting solar thermal energy systems, with or without solar controller





- Perfectly matched products
- Flexible systems, can be extended at any time
- Wide range of accessories and supplementary systems from a single source

• One supplier – one system, from heat transfer, via heating control, to domestic hot water generation.



Compatible systems from the Watts product portfolio

In addition to connections for heat pumps and boilers, Watts offers a wide range of supplementary systems, such as heating manifolds, control units for manifolds, heat interface units and much more.



Heating manifolds

in stainless steel round pipe or brass profiled pipe, large range of accessories.



Isomix control unit for manifolds

ready-to-fit, compact control unit for flow temperature control in radiant panel heating systems.



HIU 2 HKM heat interface unit

for heat transfer to heating and domestic hot water systems.



Watts® Vision® Smart Home

System for central, intelligent control of room temperature, lighting and household appliances.

The descriptions and images in this document are for illustrative purposes only. Watts Industries reserves the right to carry out any technical and design improvements to its products without prior notice. Watts hereby objects to any term, different from or additional to Watts terms, contained in any buyer communication in any form, unless agreed to in a writing signed by an officer of Watts.

WATTS®