

# PV M1-ABS 63/QG

Bourdon tube pressure gauges

## Technical Data Sheet



## Description

Dry plastic case DN63 bottom entry, for expansion vessel, tyre inflating dial.



### PV M1-ABS 63/QG

DN63 pressure gauges.

Part No	Pressure Range	Connection	Options*	Box/Master	Min. order
PV3112DC00	0-12 bar/psi	V40	D+C+QG*	50/50	1

#### \*Option included

D = Dual scale bar/ psi (black/red)

C = Accuracy class 1.6

QG = 4 colour dial, tyre inflating

## Customizations per minimum order quantity

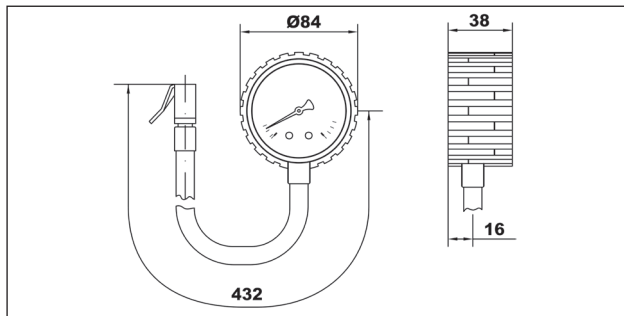
#### Personalizzazioni

Customized dials, other scale ranges or connections on request

## Features

Materials	
Case	Plastica nera con custodia in gomma nera montata
Window	Plastica trasparente
Dial	Plastica bianca
Pointer	Plastica nera
Pressure connection	Tubo in gomma + valvola
Pressure element	Molla Bourdon in lega di rame, saldatura in lega di stagno ≤ 60 bar molla C
Movement	Lega di rame
Technical features	
Design	EN 837-1
Working pressure	Steady: 75 % of full scale value Fluctuating: 60 % of full scale value Short time: full scale value
Temperature limits	Ambient: -40 ... +60 °C Medium: +60 °C maximum Storage: -40 ... +60 °C
Temperature effect	Deviation from reference temperature (+20°C): ±0,04%/1K of the span
Accuracy class	Cl 1.6
Degree of protection	IP 31 per EN 60 529 / IEC 529
Individual weight	0.200 kg

## Overall dimensions (mm)



## Testo di capitolato

Bourdon tube pressure gauges **PV M1-ABS 63/QG Marca Watts Series**. for expansion vessel. Dry plastic case DN63, with black rubber cap. Bottom entry valves with rubber hose. Measure range at medium pressure 0-12 bar. With coloured sectors ( 4 colour dial, tyre inflating). Temperature limits + 60°C, Accuracy class 1.6.

**Compliant with EN 837-1.**



---

The descriptions and photographs contained in this product specification sheet are supplied by way of information only and are not binding.  
Watts Industries reserves the right to carry out any technical and design improvements to its products without prior notice. Warranty: All sales and contracts for sale are expressly conditioned on the buyer's assent to Watts terms and conditions found on its website at [www.wattsindustries.com](http://www.wattsindustries.com). Watts hereby objects to any term, different from or additional to Watts terms, contained in any buyer communication in any form, unless agreed to in a writing signed by an officer of Watts.

---



---

**Watts Industries Italia S.r.l.**  
Via Brenno, 21 • 20853 Biassono (MB) • Italy  
Tel. +39 039 4986.1 • Fax +39 039 4986.222  
[infowattitalia@wattswater.com](mailto:infowattitalia@wattswater.com) • [www.wattsindustries.com](http://www.wattsindustries.com)