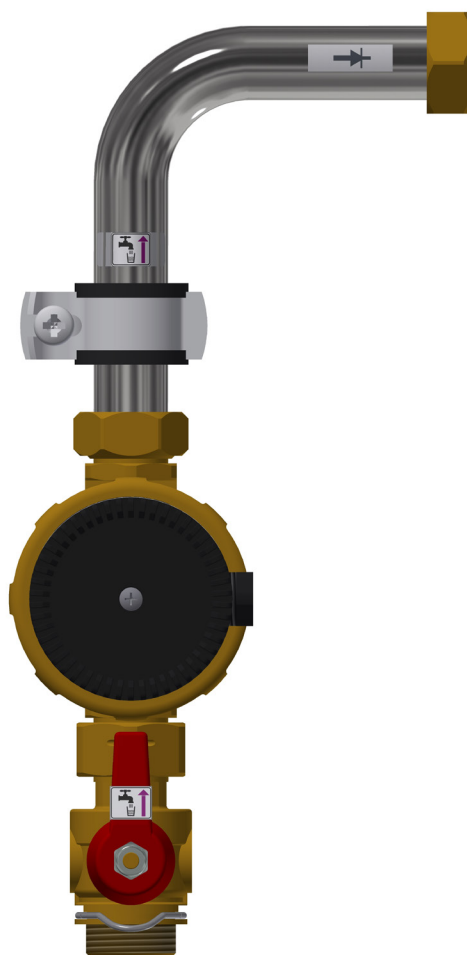


Circulation set with integrated control thermostat HIU 2

Installation and operating manual

(translated from the original operating manual)



Content

1 General information.....	2
1.1 Important notes about the Installation and Operating Manual..	2
1.2 Product features	2
2 Safety	3
2.1 Safety notices.....	3
2.2 Important safety information	3
2.3 Intended use.....	3
2.4 Foreseeable misuse.....	3
2.5 Operator's responsibility.....	3
2.6 Users.....	4
3 Dimensions.....	4
4 Technical features.....	4
5 Installation	5
6 Disposal	6
6.1 Return to manufacturer.....	6
6.2 Informing authorities and the manufacturer.....	6
7 Warranty	6

1 General information

1.1 Important information about the Installation and Operating Manual

NOTICE The operator is responsible for ensuring adherence to the local laws and regulations (e.g. accident prevention regulations, etc.).

Incorrect operation or operating the system contrary to the specifications shall void all rights to any warranty claim.

This Installation and Operating Manual

- is part of the circulation set
- contains instructions and information for the safe and correct installation and commissioning of the circulation set
- must be available to all users throughout the entire service life of the circulation set
- is intended for trained personnel who are familiar with the applicable standards and provisions and, in particular, with the relevant safety concepts and the operation and maintenance of the circulation set
- is protected by copyright and may not be altered without the manufacturer's permission
- may not be made accessible to unauthorized personnel, either in original form or as a copy.

1.1 Product features

- All system connections with 3/4" male thread, and flat sealing
- Compact, space-saving design
- Modular design and suitable for connection to the intended cabinets

2 Safety

2.1 Safety notices

⚠ DANGER DANGER indicates an imminent danger that may cause serious physical injury or death if the appropriate safety precautions are not in place.

⚠ WARNING WARNING indicates a danger arising through incorrect behaviour (e.g. misuse, disregarding notices, etc.) that may cause serious physical injury or death.

⚠ CAUTION CAUTION indicates a potentially dangerous situation that may cause minor or slight injuries if the appropriate safety precautions are not in place.

NOTICE NOTICE indicates a situation that may cause material damage if the corresponding precautions are not taken.

2.2 Important safety information

- Read this operating manual carefully before use.
- Maintenance, cleaning and repair work may be carried out by trained specialist personnel only.
- If the circulation set is damaged or is not functioning correctly, it must no longer be used. In this case, contact your specialist dealer immediately.
- Observe the maintenance instructions and intervals.
- Protect the circulation set against the effects of weather.
- Never use the circulation set outdoors.
- The circulation set may only be used in accordance with its intended use.

2.3 Intended use

Circulation set suitable for connection to HIU 2 Heat Interface Unit.

The circulation set is not intended for use by persons (including children) with reduced physical, sensory or mental capabilities, or lack of specialist knowledge or experience.

2.4 Foreseeable misuse

The following are regarded as foreseeable misuse:

- operating the circulation set contrary to the specifications
- using the circulation set not as intended
- making modifications to the circulation set not agreed with the manufacturer
- using replacement or wear parts not approved by the manufacturer
- operating the circulation set outdoors (parts and components are not UV resistant)

2.5 Operator's responsibility

The operator must ensure that:

- the circulation set is only used for its intended purpose
- the circulation set is installed, operated and maintained according to the specifications in the Installation and Operating Manual
- the circulation set is only operated according to local directives and occupational health and safety regulations
- all precautions have taken to avoid hazards originating from the circulation set
- all precautions for first aid and fire suppression are carried out
- only authorized and trained users have access to and operate the circulation set
- users have access to this Installation and Operating Manual at all times

2.6 Users

Only qualified persons may install and operate the circulation set or perform maintenance work.

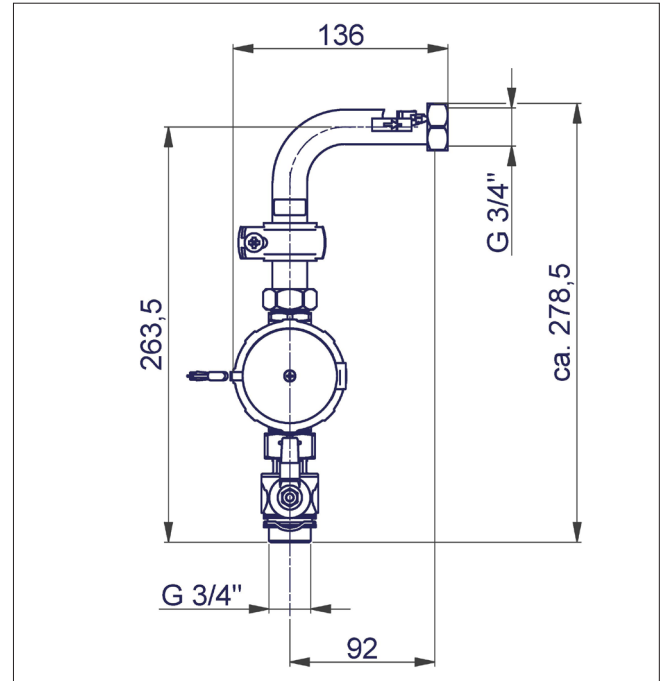
Operators

An operator is deemed to be qualified if they have read this operating manual and understood the potential hazards associated with improper behaviour.

Fitters/commissioners

A fitter or commissioning engineer is capable of performing work on the circulation set and detecting and preventing potential hazards taking into consideration the applicable standards, provisions, regulations and laws and his/her technical training and technical knowledge.

3 Dimensions



4 Technical features

Hydraulic data

Max. operating pressure	10 bar (PN10)
Material, pipe	Stainless steel, diameter: 22
Material, fitting	Brass
Material, gaskets	AFM34/2
Circulation pump	Technical data can be found in the separate technical documentation.

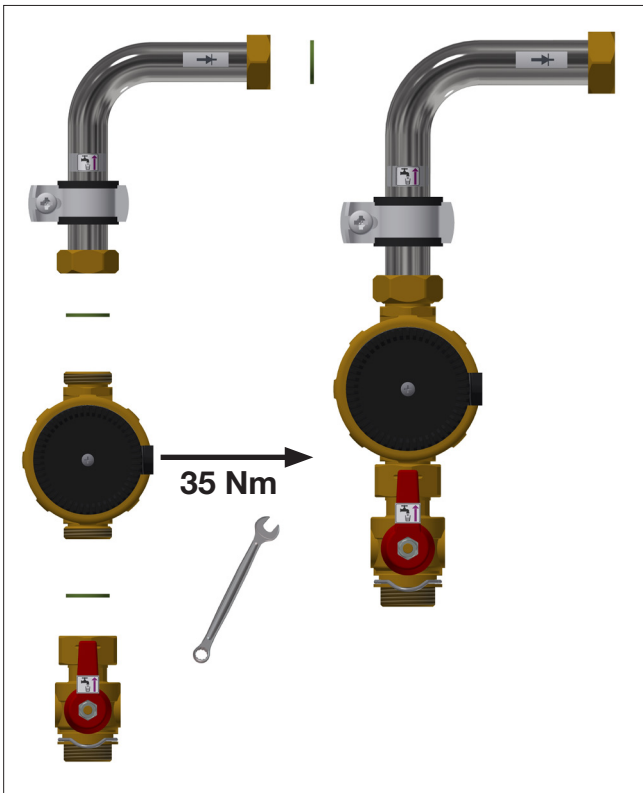
5 Installation

NOTICE Installation and commissioning of the circulation set must be performed exclusively by specialist personnel who have been duly trained and authorized by the manufacturer.

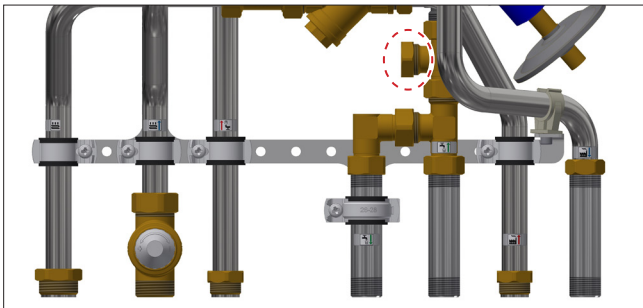
Circulation set

[Part number 10080335, Type ZS HIU2]

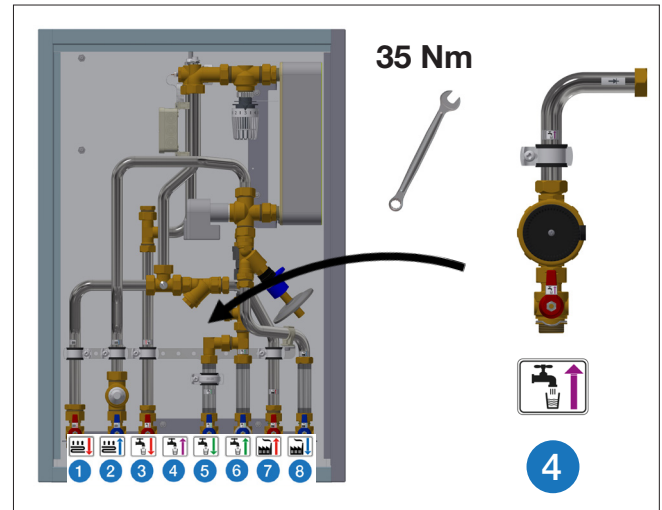
1. Assemble the circulation set.



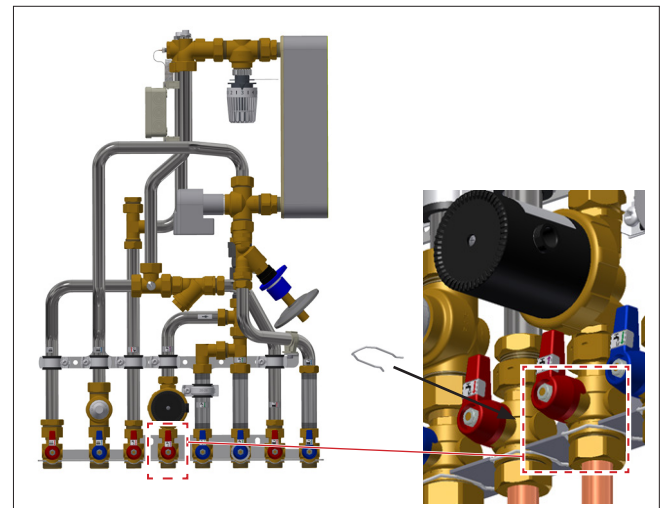
2. Remove the end cap (G³/₄" thread).



3. Install the circulation set into the HIU 2.



4. Insert the ball valve into the wall bracket and secure using clips.



6 Disposal

⚠ WARNING

Improper disposal can lead to contamination of the environment and groundwater!

When disposing of components and operating materials, the provisions and guidelines of the country of use must be observed.

1. Remove the circulation set in the correct way or engage a specialist company to do this.
2. Separate the subassemblies and components into recyclable materials, hazardous substances and operating materials.
3. Dispose of the subassemblies and components in accordance with local laws and provisions or take them to a recycling facility.

6.1 Return to manufacturer

Contact the manufacturer if you wish to return the circulation set or component parts.

6.2 Informing authorities and the manufacturer

Inform the manufacturer when decommissioning and disposing of the circulation set for statistical purposes.

7 Warranty

WATTS products are tested extensively. WATTS therefore guarantees only the replacement or, at the sole discretion of WATTS, the free-of-charge repair of components of the supplied products where these, in the opinion of WATTS, exhibit verifiable manufacturing faults. Warranty claims due to defects or defects of title may be asserted within one (1) year of delivery/transfer of risk. Excluded from the warranty are damages attributable to normal product wear or friction and damages resulting from modifications or non-authorized repairs on the products, for which WATTS rejects all claims for compensation (direct or indirect). (For more detailed information, please refer to our website.) In all cases, supply is subject to the General Terms and Conditions, which can be found at www.wattswater.de.