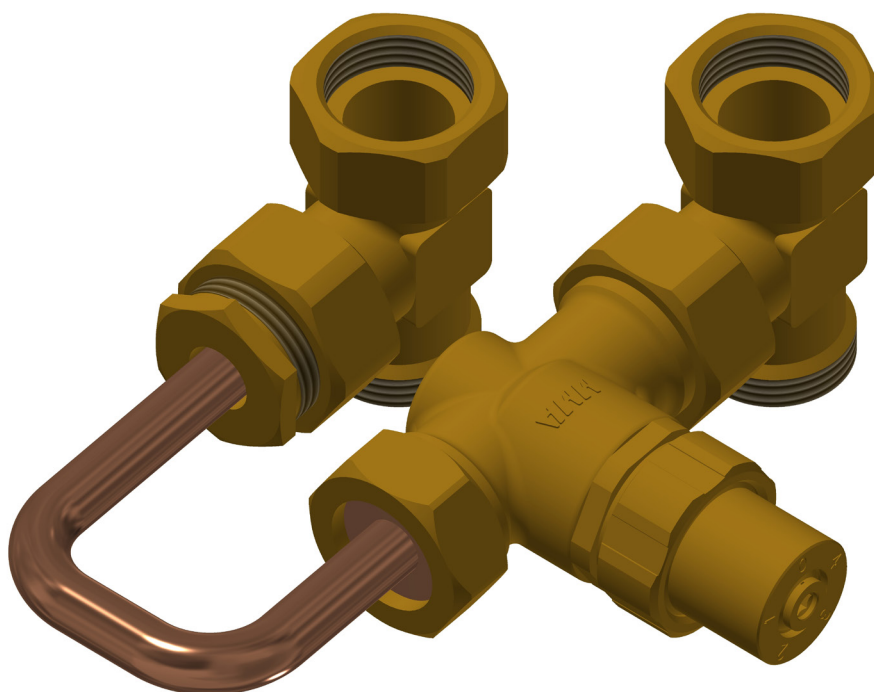


Thermal circulation bypass HIU2

Installation and operating manual
(translated from the original operating manual)



Content

1 General information.....	2
1.1 Important notes about the Installation and Operating Manual..	2
1.2 Product features	2
2 Safety	3
2.1 Safety notices.....	3
2.2 Important safety information	3
2.3 Intended use.....	3
2.4 Foreseeable misuse.....	3
2.5 Operator's responsibility.....	3
2.6 Users.....	4
3 Dimensions.....	4
4 Technical features.....	4
5 Installation	5
6 Pre-setting.....	5
7 Disposal	6
7.1 Return to manufacturer.....	6
7.2 Informing authorities and the manufacturer.....	6
8 Warranty	6

1 General information

1.1 Important information about the Installation and Operating Manual

NOTICE

The operator is responsible for ensuring adherence to the local laws and regulations (e.g. accident prevention regulations, etc.).

Incorrect operation or operating the system contrary to the specifications shall void all rights to any warranty claim.

This Installation and Operating Manual

- is part of the thermal circulation bypass
- contains instructions and information for the safe and correct installation and commissioning of the thermal circulation bypass
- must be available to all users throughout the entire service life of the thermal circulation bypass
- is intended for trained personnel who are familiar with the applicable standards and provisions and, in particular, with the relevant safety concepts and the operation and maintenance of the thermal circulation bypass
- is protected by copyright and may not be altered without the manufacturer's permission
- may not be made accessible to unauthorized personnel, either in original form or as a copy.

1.2 Product features

- All system connections with 3/4" male thread, and flat sealing
- Compact, space-saving design
- Modular design and suitable for connection to the intended cabinets

2 Safety

2.1 Safety notices

▲ DANGER

DANGER indicates an imminent danger that may cause serious physical injury or death if the appropriate safety precautions are not in place.

▲ WARNING

WARNING indicates a danger arising through incorrect behaviour (e.g. misuse, disregarding notices, etc.) that may cause serious physical injury or death.

▲ CAUTION

CAUTION indicates a potentially dangerous situation that may cause minor or slight injuries if the appropriate safety precautions are not in place.

NOTICE

NOTICE indicates a situation that may cause material damage if the corresponding precautions are not taken.

2.2 Important safety information

- Read this operating manual carefully before use.
- Maintenance, cleaning and repair work may be carried out by trained specialist personnel only.
- If the thermal circulation bypass is damaged or is not functioning correctly, it must no longer be used. In this case, contact your specialist dealer immediately.
- Observe the maintenance instructions and intervals.
- Protect the thermal circulation bypass against the effects of weather.
- Never use the thermal circulation bypass outdoors.
- The thermal circulation bypass may only be used in accordance with its intended use.

2.3 Intended use

Thermal circulation bypass suitable for connection to HIU 2 manifold cabinet.

The thermal circulation bypass is not intended for use by persons (including children) with reduced physical, sensory or mental capabilities, or lack of specialist knowledge or experience.

2.4 Foreseeable misuse

The following are regarded as foreseeable misuse:

- operating the thermal circulation bypass contrary to the specifications
- using the thermal circulation bypass not as intended
- making modifications to the thermal circulation bypass not agreed with the manufacturer
- using replacement or wear parts not approved by the manufacturer
- operating the thermal circulation bypass outdoors (parts and components are not UV resistant)

2.5 Operator's responsibility

The operator must ensure that:

- the thermal circulation bypass is only used for its intended purpose
- the thermal circulation bypass is installed, operated and maintained according to the specifications in the Installation and Operating Manual
- the thermal circulation bypass is only operated according to local directives and occupational health and safety regulations
- all precautions have taken to avoid hazards originating from the thermal circulation bypass
- all precautions for first aid and fire suppression are carried out
- only authorized and trained users have access to and operate the thermal circulation bypass
- users have access to this Installation and Operating Manual at all times

2.6 Users

Only qualified persons may install and operate the thermal circulation bypass or perform maintenance work.

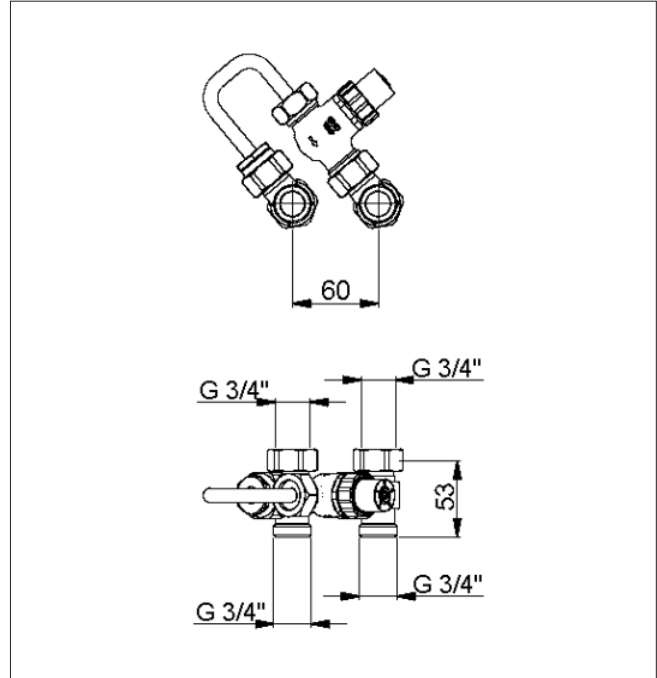
Operators

An operator is deemed to be qualified if they have read this operating manual and understood the potential hazards associated with improper behaviour.

Fitters/commissioners

A fitter or commissioning engineer is capable of performing work on the thermal circulation bypass and detecting and preventing potential hazards taking into consideration the applicable standards, provisions, regulations and laws and his/her technical training and technical knowledge.

3 Dimensions



4 Technical features

Hydraulic data

Max. operating pressure	10 bar (PN10)
Max. operating temperature	90 °C
Temperature range, valve	40°C - 60°C
Max. differential pressure, valve	200 kPa
Material, pipe	Copper (Cu)
Material, fitting	Brass
Material, gaskets	AFM34/2

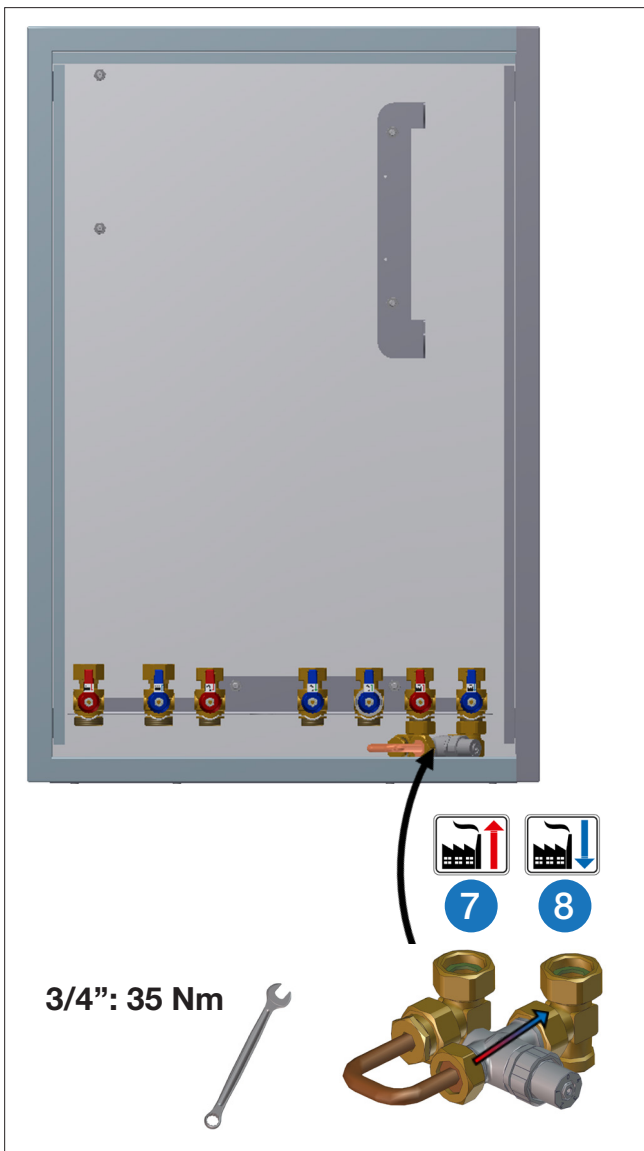
5 Installation

NOTICE

Installation and commissioning of the thermal circulation bypass must be performed exclusively by specialist personnel who have been duly trained and authorized by the manufacturer.

Circulation bypass

[Part number 10079903, Type TZB HIU 2]

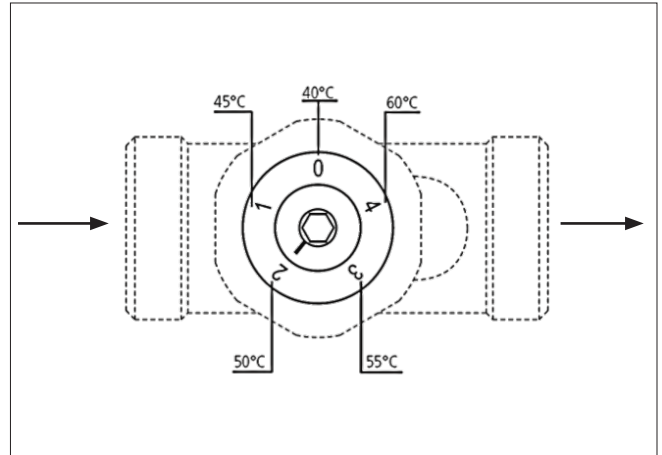


6 Pre-setting

Set the desired temperature using a 4 mm hex key.

Rotate the shaft to the desired value.

Factory setting 2: 50 °C



7 Disposal

⚠ WARNING

Improper disposal can lead to contamination of the environment and groundwater!

When disposing of components and operating materials, the provisions and guidelines of the country of use must be observed.

1. Remove the thermal circulation bypass in the correct way or engage a specialist company to do this.
2. Separate the subassemblies and components into recyclable materials, hazardous substances and operating materials.
3. Dispose of the subassemblies and components in accordance with local laws and provisions or take them to a recycling facility.

7.1 Return to manufacturer

Contact the manufacturer if you wish to return the thermal circulation bypass or component parts.

7.2 Informing authorities and the manufacturer

Inform the manufacturer when decommissioning and disposing of the thermal circulation bypass for statistical purposes.

8 Warranty

WATTS products are tested extensively. WATTS therefore guarantees only the replacement or, at the sole discretion of WATTS, the free-of-charge repair of components of the supplied products where these, in the opinion of WATTS, exhibit verifiable manufacturing faults. Warranty claims due to defects or defects of title may be asserted within one (1) year of delivery/transfer of risk. Excluded from the warranty are damages attributable to normal product wear or friction and damages resulting from modifications or non-authorized repairs on the products, for which WATTS rejects all claims for compensation (direct or indirect). (For more detailed information, please refer to our website.) In all cases, supply is subject to the General Terms and Conditions, which can be found at www.wattswater.de.