

Water hammer arrestor set for HIU heat interface unit

Installation and operating manual

(translated from the original operating manual)



Content

1 General information.....	2
1.1 Important notes about the Installation and Operating Manual..	2
1.2 Product features	2
2 Safety	3
2.1 Safety notices.....	3
2.2 Important safety information	3
2.3 Intended use.....	4
2.4 Foreseeable misuse.....	4
2.5 Operator's responsibility.....	4
2.6 Users.....	4
3 Dimensions.....	5
4 Technical features.....	5
5 Installation	5
5.1 HIU 1.....	5
5.2 HIU 2.....	6
6 Disposal	6
6.1 Return to manufacturer.....	6
6.2 Informing authorities and the manufacturer.....	6
7 Warranty	7

1 General information

1.1 Important information about the Installation and Operating Manual

NOTICE The operator is responsible for ensuring adherence to the local laws and regulations (e.g. accident prevention regulations, etc.).

Incorrect operation or operating the system contrary to the specifications shall void all rights to any warranty claim.

This Installation and Operating Manual

- is part of the water hammer arrestor set
- contains instructions and information for the safe and correct installation and commissioning of the water hammer arrestor set
- must be available to all users throughout the entire service life of the water hammer arrestor set
- is intended for trained personnel who are familiar with the applicable standards and provisions and, in particular, with the relevant safety concepts and the operation and maintenance of the water hammer arrestor set
- is protected by copyright and may not be altered without the manufacturer's permission
- may not be made accessible to unauthorized personnel, either in original form or as a copy.

1.2 Product features

- All system connections with 3/4" male thread, and flat sealing
- Compact, space-saving design
- Modular design and suitable for connection to the intended cabinets

2 Safety

2.1 Safety notices

⚠ DANGER DANGER indicates an imminent danger that may cause serious physical injury or death if the appropriate safety precautions are not in place.

⚠ WARNING WARNING indicates a danger arising through incorrect behaviour (e.g. misuse, disregarding notices, etc.) that may cause serious physical injury or death.

⚠ CAUTION CAUTION indicates a potentially dangerous situation that may cause minor or slight injuries if the appropriate safety precautions are not in place.

NOTICE NOTICE indicates a situation that may cause material damage if the corresponding precautions are not taken.

2.2 Important safety information

- Read this operating manual carefully before use.
- Maintenance, cleaning and repair work may be carried out by trained specialist personnel only.
- If the water hammer arrestor set is damaged or is not functioning correctly, it must no longer be used. In this case, contact your specialist dealer immediately.
- Observe the maintenance instructions and intervals.
- Protect the water hammer arrestor set against the effects of weather.
- Never use the water hammer arrestor set outdoors.
- The water hammer arrestor set may only be used in accordance with its intended use.

2.3 Intended use

Water hammer arrestor set for heat interface units.

The water hammer arrestor set is not intended for use by persons (including children) with reduced physical, sensory or mental capabilities, or lack of specialist knowledge or experience.

2.4 Foreseeable misuse

The following is regarded as foreseeable misuse:

- operating the water hammer arrestor set contrary to the specifications
- using the water hammer arrestor set not as intended
- making modifications to the water hammer arrestor set not agreed with the manufacturer
- using replacement or wear parts not approved by the manufacturer
- operating the water hammer arrestor set outdoors (parts and components are not UV-resistant)

2.5 Operator's responsibility

The operator must ensure that:

- the water hammer arrestor set is only used for its intended purpose
- the water hammer arrestor set is installed, operated and maintained according to the specifications in the Installation and Operating Manual
- the water hammer arrestor set is only operated according to local directives and occupational health and safety regulations
- all precautions have taken to avoid hazards originating from the water hammer arrestor set
- all precautions for first aid and fire suppression are carried out
- only authorized and trained users have access to and operate the water hammer arrestor set
- users have access to this Installation and Operating Manual at all times

2.6 Users

Only qualified persons may install and operate the water hammer arrestor set or perform maintenance work.

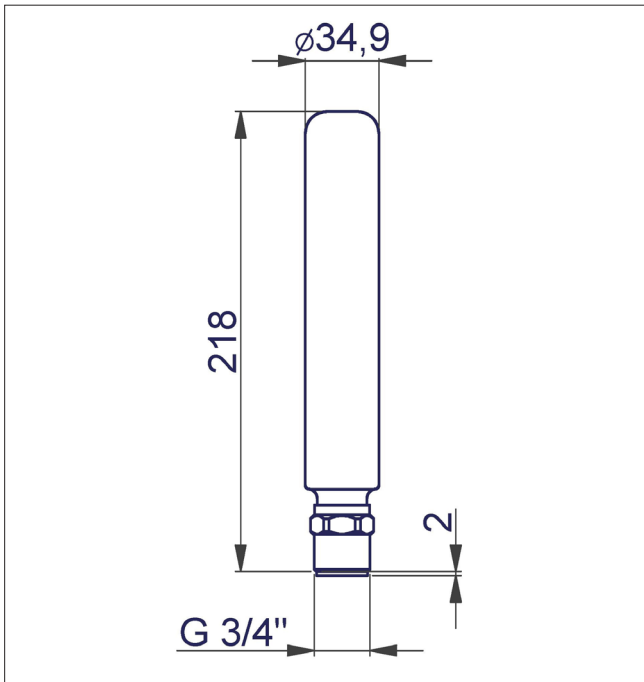
Operators

An operator is deemed to be qualified if they have read this operating manual and understood the potential hazards associated with improper behaviour.

Fitters/commissioners

A fitter or commissioning engineer is capable of performing work on the water hammer arrestor set and detecting and preventing potential hazards taking into consideration the applicable standards, provisions, regulations and laws and his/her technical training and technical knowledge.

3 Dimensions



4 Technical features

Hydraulic data	
Max. operating pressure	10 bar (PN10)
Max. operating temperature	82 °C
Material, seals	AFM34/2
Water hammer arrestor	Technical features can be found in the separate technical documentation.

5 Installation

NOTICE

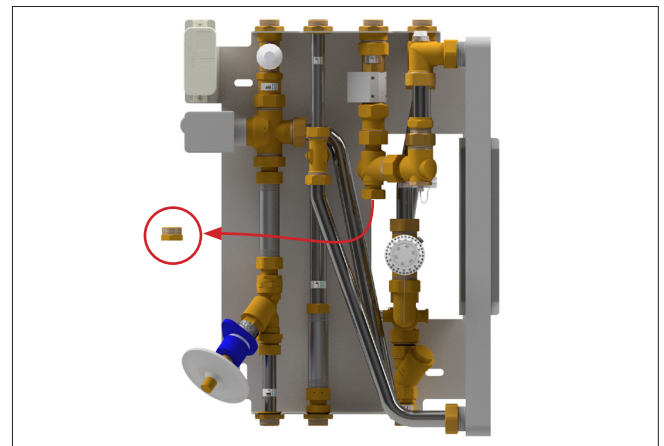
Installation and commissioning of the water hammer arrestor set must be performed exclusively by specialist personnel who have been duly trained and authorized by the manufacturer.

Water hammer arrestor set

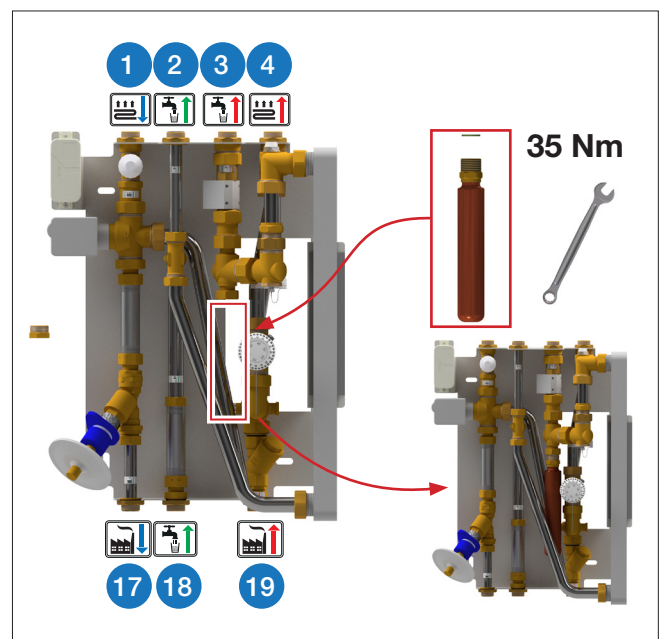
[Part number 10079166, Type WSD HIU]

5.1 HIU 1

1. Remove the plug (G³/₄" thread).

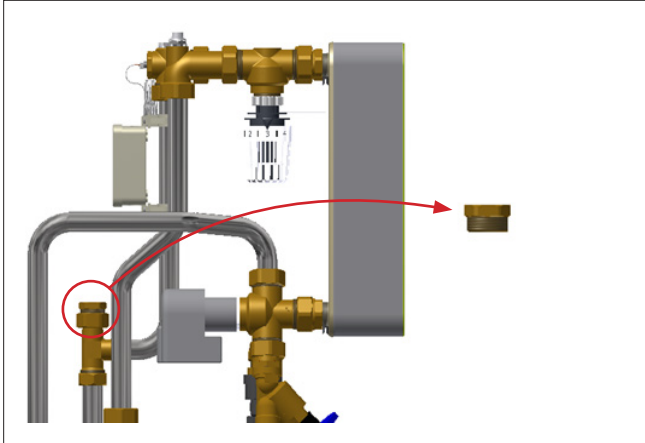


2. Install the water hammer arrestor.

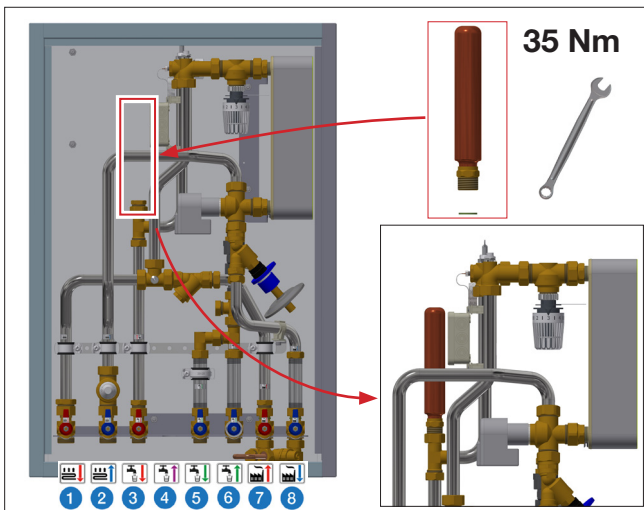


5.2 HIU 2

1. Remove the plug (G³/₄" thread).



2. Install the water hammer arrestor.



6 Disposal

⚠ WARNING Improper disposal can lead to contamination of the environment and groundwater!

When disposing of components and operating materials, the provisions and guidelines of the country of use must be observed.

1. Remove the water hammer arrestor set in the correct way or engage a specialist company to do this.
2. Separate the subassemblies and components into recyclable materials, hazardous substances and operating materials.
3. Dispose of the subassemblies and components in accordance with local laws and provisions or take them to a recycling facility.

3.1 Return to manufacturer

Contact the manufacturer if you wish to return the water hammer arrestor set or component parts.

3.2 Informing authorities and the manufacturer

Inform the manufacturer when decommissioning and disposing of the water hammer arrestor set for statistical purposes.

7 Warranty

WATTS products are tested extensively. WATTS therefore guarantees only the replacement or, at the sole discretion of WATTS, the free-of-charge repair of components of the supplied products where these, in the opinion of WATTS, exhibit verifiable manufacturing faults. Warranty claims due to defects or defects of title may be asserted within one (1) year of delivery/transfer of risk. Excluded from the warranty are damages attributable to normal product wear or friction and damages resulting from modifications or non-authorized repairs on the products, for which WATTS rejects all claims for compensation (direct or indirect). (For more detailed information, please refer to our website.) In all cases, supply is subject to the General Terms and Conditions, which can be found at www.wattswater.de.

