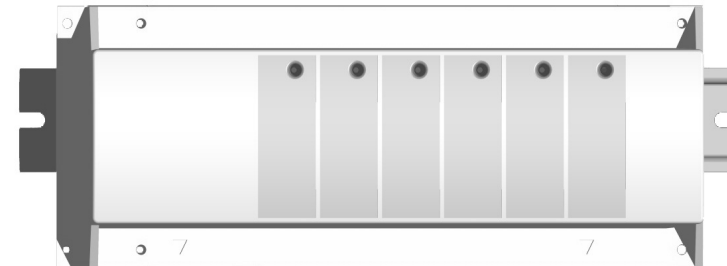


Master 6 zones 24VAC for NC actuators (Normally Closed)



TECHNICAL CHARACTERISTICS

Operating temperature	0°C - 50°C
Protection	Class I - IP20
Power supply	24 VAC +/- 10%
Output	<p><u>Pump & accessories:</u> Relay => 2 free contact 8A 250Vac</p> <p><u>Zones:</u> 6 independent zones => the maximum output power of each zones depends on thermostat connecting on this zone. The maximum current for all connected actuators is 2.5A</p>

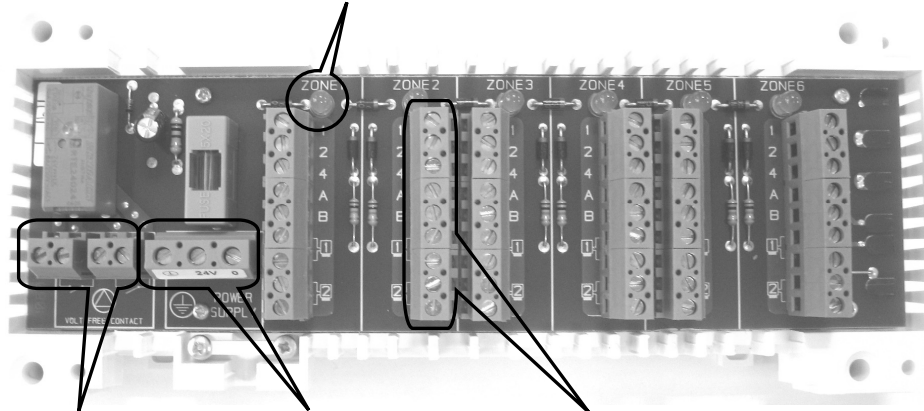
FUNCTION and DESCRIPTION

The **MASTER** with 6 zones is a wiring module with built in pump logic. All the main electrical connections for water floor heating system are existing. This box can be adapted either on a DIN rail or directly on a wall. (the DIN rail mounting permit to add with facility a **SLAVE** module or **TIMER**). It connects room thermostats to their corresponding actuators. The state of the zones are indicated by individual LEDs. By using terminal A and B, the pilot wire of thermostats can be controlled by an external **TIMER**. As soon as we have a heat demand from one zone a relay with 2 potential-free contacts is switch on (pump, boiler or other possible connection).

LED INDICATOR

Green: - Heating indication (water circulation on this zone)

LED indicator zone

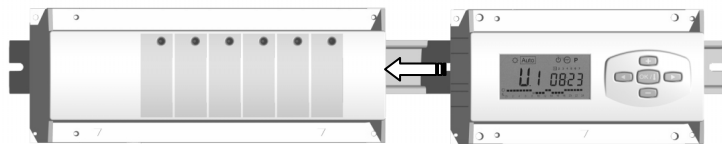


Screw connector for pump and accessories

Screw connector for power supply

Supply for thermostat and actuators for 1 zone

POSSIBLES COMBINATIONS (6, 10, 12 zones)



MASTER 6 ZONES

+

TIMER



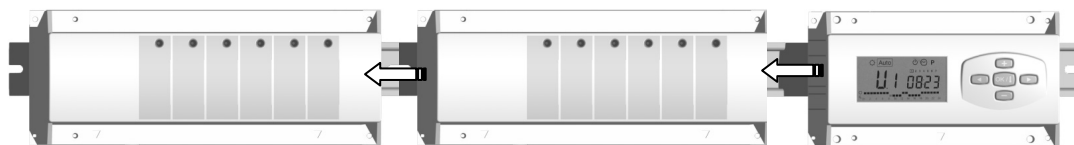
MASTER 6 ZONES

+

SLAVE 4 ZONES

+

TIMER



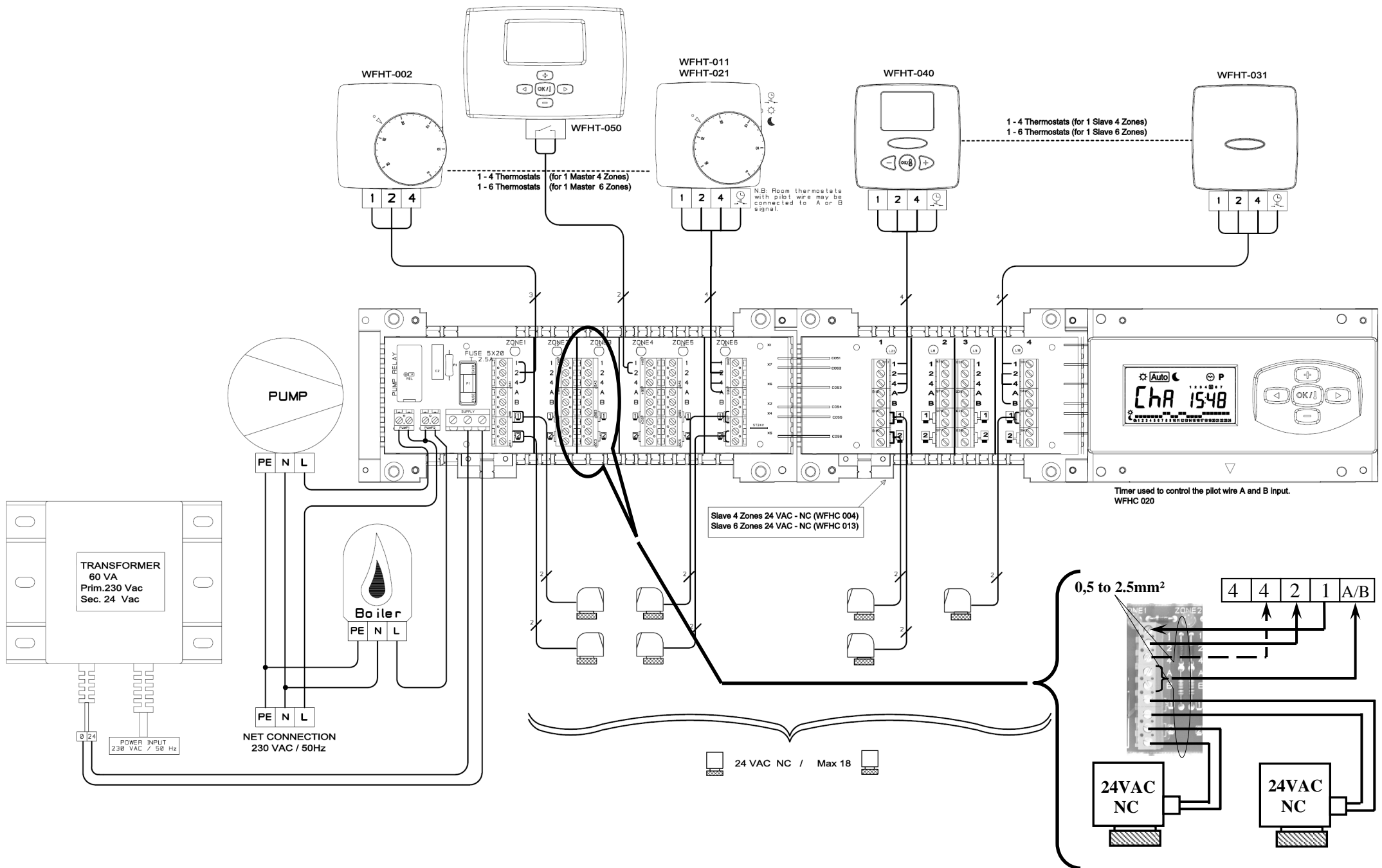
MASTER 6 ZONES

+

SLAVE 6 ZONES

+

TIMER



D Installation

GB Installation

F Installation

E Instalación

I Installazione

P instalação

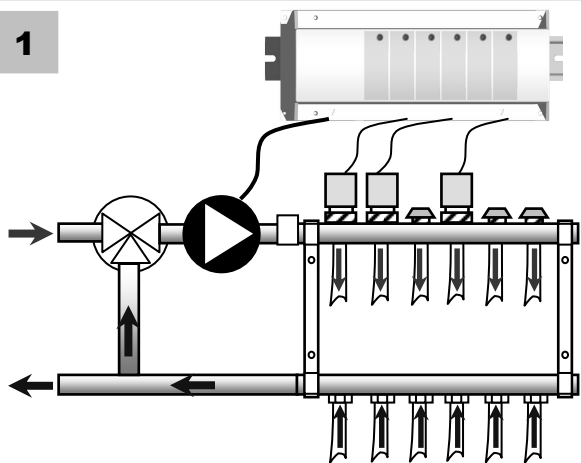
NL installatie

FIN Asennus

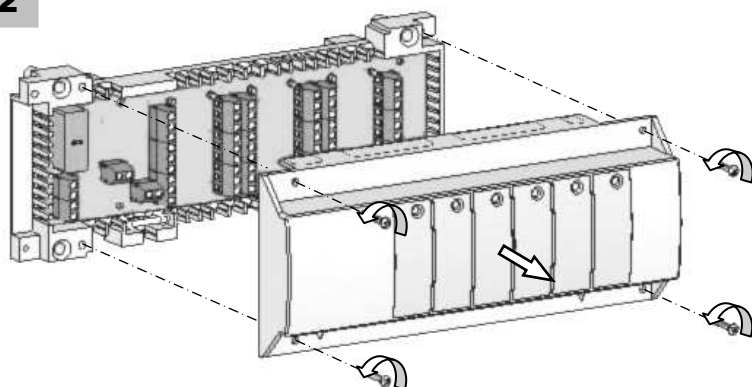
SE Installation

N Installasjon

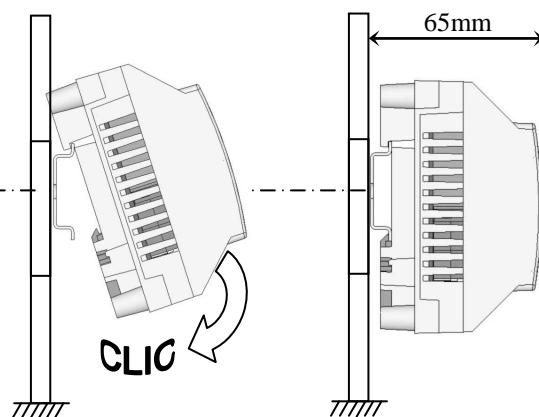
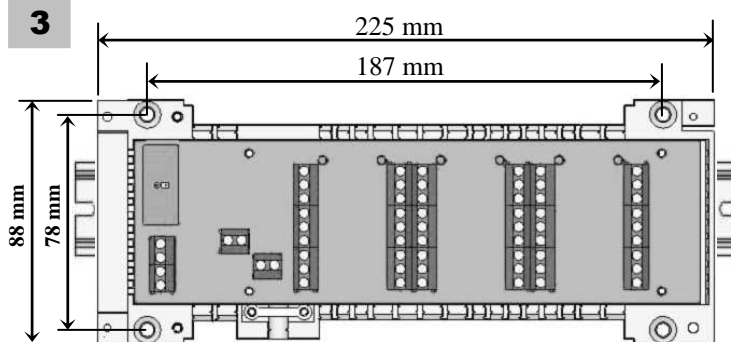
1



2



3



4

USER GUIDE

Master 6 zones 230VAC for NC actuators (normal closed)

TECHNICAL CHARACTERISTICS

Operating temperature	0°C-30°C
Protection	Class - IP20
Power supply	230 VAC 50/60 Hz
Output	6 x 2.5mm ² 230VAC NC

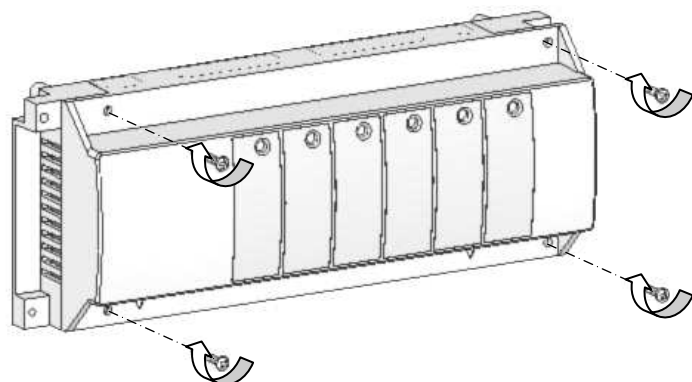
FUNCTION and DESCRIPTION

The MASTER with 6 zones main electrical connections box can be adapted after mounting permit to add the zones thermostats to be indicated by individual heat demands can be for heat demand from one (pump, boiler or other)

LED INDICATOR

Green - Heating indicator

5



6

