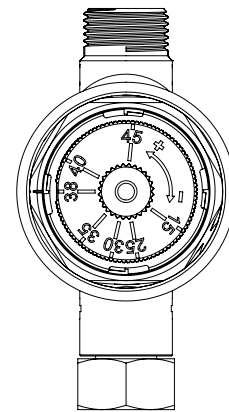
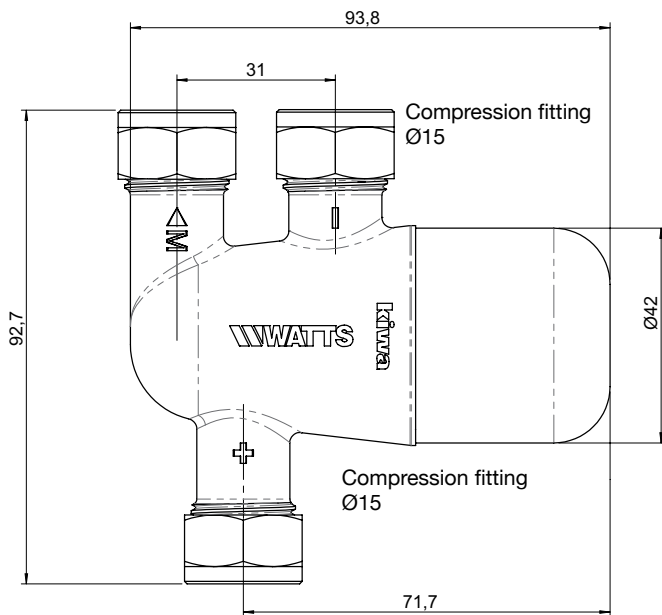
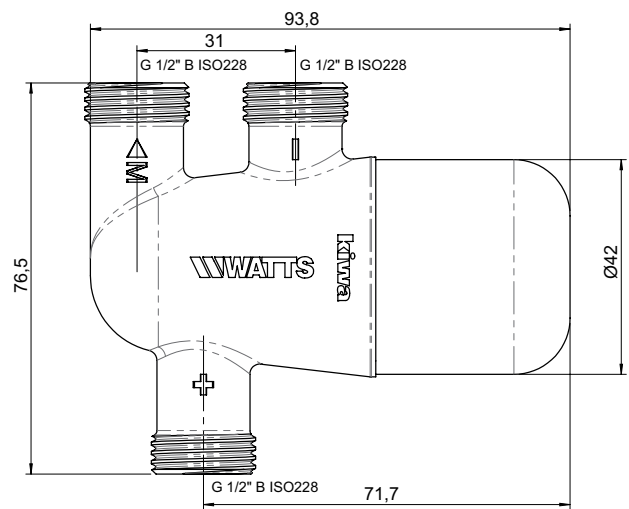
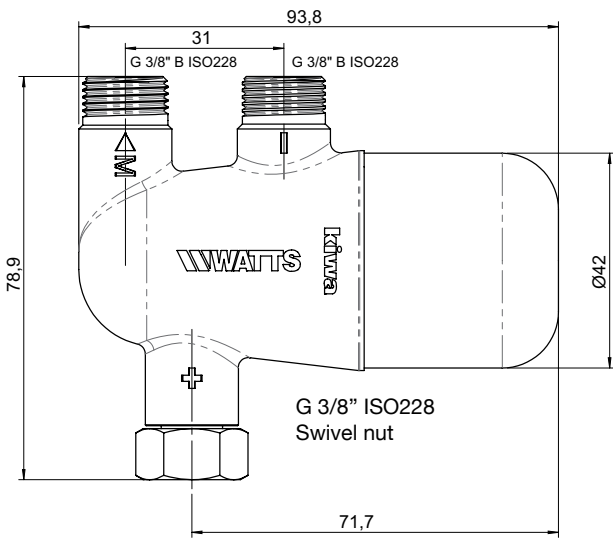
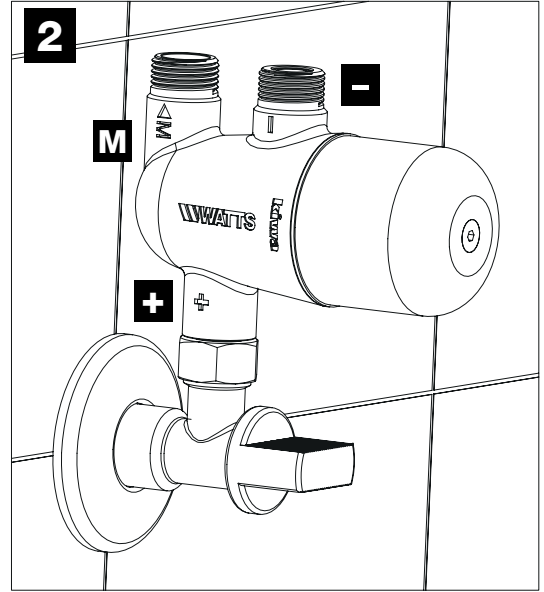
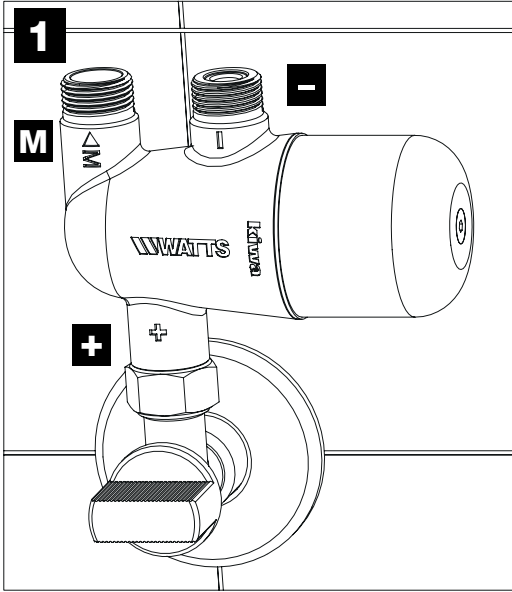


MINIMIXing

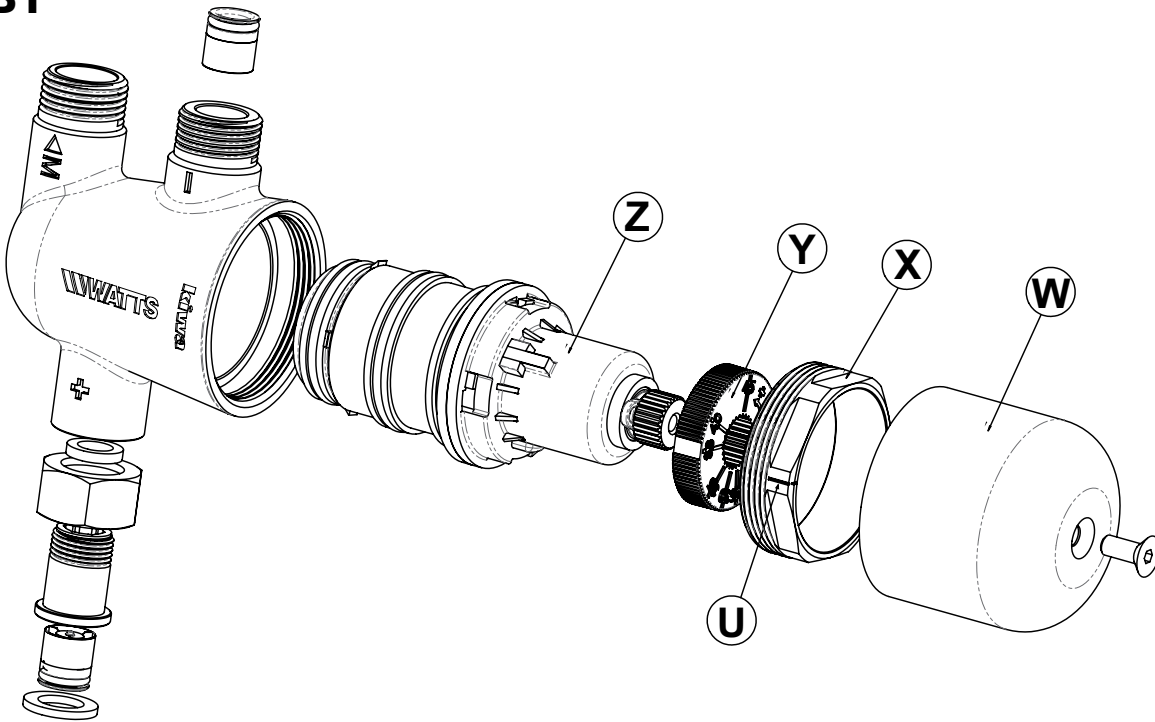
Thermostatic mixing valve for point of use

Installation and Operation Manual

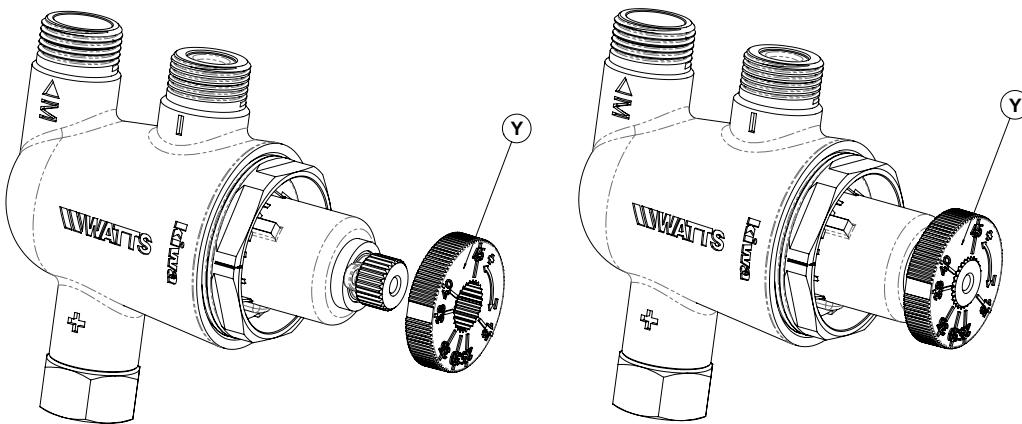




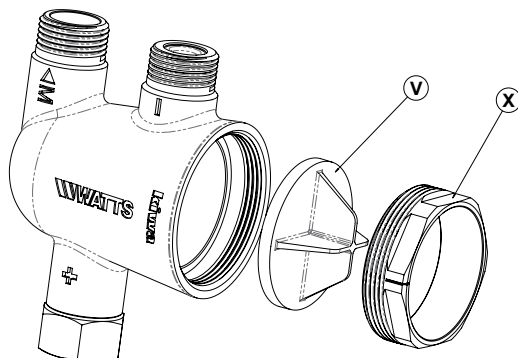
B1



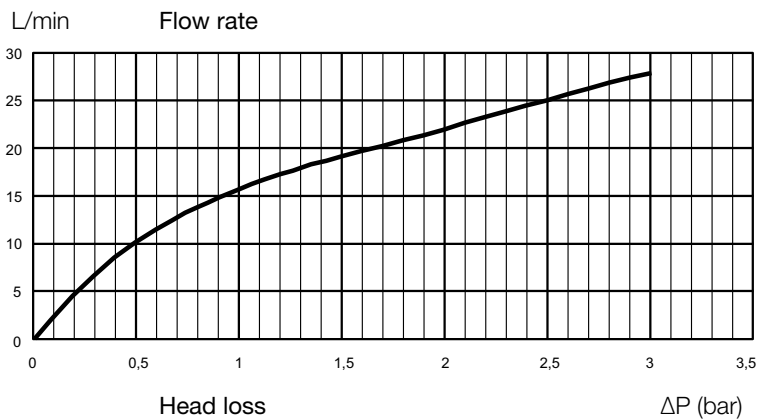
B2



B3



Flow curve



1 - Installation:

On a stopcock (chrome plated) with wall plate.

2 installation possibilities:

- parallel to the wall (diagram 1 page 2)

or

- perpendicular to the wall (diagram 2 page 2).

1-1 Assembly

Connect the hot water inlet (+) directly to the stopcock.

Connect the cold water (-) using a hose or a copper tube.

Connect the outlet (M) to the mechanical mixer inlet.

Provide a stopcock on each inlet.

1-2 Rinsing

[recommended step] (diagram B3 page 3)

Unscrew the screw and remove the cap (W), unscrew the nut (X), remove the cartridge (Z).

Fit the rinsing kit (V) instead of the cartridge and re-tighten the nut (X).

Supply hot and cold water, rinse the piping by letting the water flow abundantly.

Turn off the hot and cold water, then unscrew the nut (X) and remove the rinsing kit (V), refit the cartridge (Z) and re-tighten the nut (X).

1-3 Adjusting the temperature

[factory set to 38°C] (diagram B2 page 3)

Turn on the water supply to the appliance.

Calibrate the temperature:

- Run the water at the required temperature by turning the adjustment ring (Y) in the direction shown by the arrow and using the temperature marks.

- Note the temperature obtained using a thermometer.

- Remove the adjustment ring (Y) to position the temperature indicated on it opposite mark (U) on the nut (X) corresponding to the temperature obtained.

1-4 Refitting the casing

Once the temperature has been set, refit the cap (W) and refit the safety screw.

2 - Features:

2-1 Flow rate at 3 bar

28 Liters / min

2-2 Supply

The thermostatic mixing valve may be fed by any hot water heating system, even an instant household heater, provided that the boiler remains capable of producing very low hot water flows (3l / min).

- Maximum working pressure: 10 bar

- Minimum working pressure: 1 bar

- Recommended working pressure: 2 to 4 bar

- Maximum hot water temperature: 85°C

- Minimum difference between input temperatures: 10°C

- Maximum pressure difference between hot and cold water: 1,5 bar

- Temperature setting range: 30 to 70°C

- Hot, cold and mixed water connections in flat-sealing construction only for Art.No. 2297320M2 / 2297321M2.

3 - Operating faults:

Carefully check that any fault really is due to the appliance.

Observed faults	Causes and solutions
The water is not running at the right temperature.	Check that the water supply is not cut and that the connections have been made to the inlets. Was the calibration carried out properly?
Water runs but slowly.	Hot or cold water production is not sufficient. Blocked or clogged up filter.
When starting the new appliance, only hot or cold water runs.	Water inlets are fitted the wrong way round.
Mixed water runs in fits and starts and very slowly except at one or other extreme temperature.	Hot or cold flow is restricted. Check that the cartridge filters are clean.

4 - Maintenance:

4-1 Maintenance

4-1-1 Checking the element:

If the flow is reduced or if the temperature fluctuates, check the condition of the element. If necessary, clean and descale the element with weak diluted acid.

Clean the filters. If this does not work, replace it (4-2).

4-1-2 Draining in the event of freezing:

When the appliance is exposed to frost, it is essential to empty it and remove the element, taking off the element. Once the installation is emptied, put the element back place after lubricating it with a silicon grease.

4-2 Replacing the mechanism

Close the hot and cold water inlet stopcocks, then turn the taps on and off to lower the pressure inside the appliance.

Proceed as indicated in the INSTALLATION part starting from 1-2 Rinsing.

Make sure the mechanism is correctly fitted in the box.

Disinfecting procedure for fighting against legionnaire's disease.

2 possible methods:

- Thermal flash:

Run hot water through the mixer tap (bacteria is eliminated from 60°C).

Remove the cap (W) after having removed the screw, then turn the adjustment ring (Y), to the full hot position, the mixer will deliver very hot water.

- Using the rinsing kit:

Flush using a disinfectant solution or with very hot water (hotter than 90°C) without risking damage to the appliance.

- Unscrew the screw and remove the cap (W), unscrew the nut (X), remove the cartridge (Z) then insert the rinsing kit (V) and re-tighten the nut (X)

- Re-open the hot water stopcock.

- Turn on the tap(s) to circulate the hot water and carry out a proper thermal disinfection.

Warning: always comply with local regulations concerning disinfecting procedures, such as wearing suitable masks and gloves, etc.

« The descriptions and photographs contained in this product specification sheet are supplied by way of information only and are not binding. Watts Industries reserves the right to carry out any technical and design improvements to its products without prior notice. Warranty: All sales and contracts for sale are expressly conditioned on the buyer's assent to Watts terms and conditions found on its website at www.wattswater.eu - Watts hereby objects to any term, different from or additional to Watts terms, contained in any buyer communication in any form, unless agreed to in a writing signed by an officer of Watts. »



WATTS INDUSTRIES France

1590 avenue d'Orange • SORGUES 84275 VEDENE • FRANCE

Tél. +33 (0)4 90 33 28 28 • Fax +33 (0)4 90 33 28 29/39

contact@wattswater.com • www.wattswater.fr