

**Wattstemp serie:** Basic Flush mounted thermostat.



External sensor 10K

**MODES DESCRIPTION**

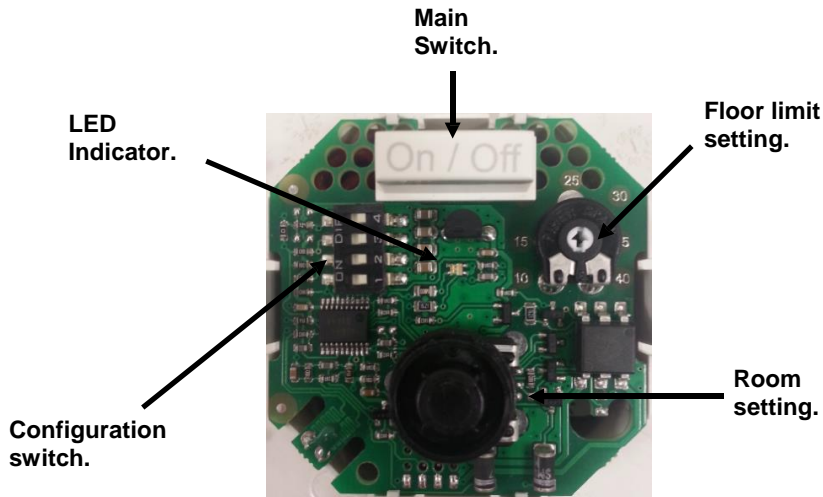
Electronic thermostat specially designed to control the Electrical floor heating.  
External pilot wire for night reduction (-4°K)

**Wattstemp 730:** Regulation on room sensor.

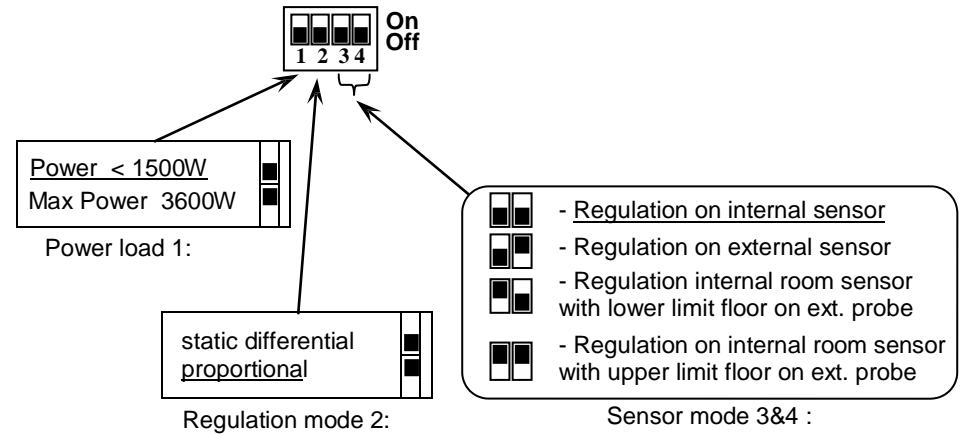
**Wattstemp 740:** Possibility to regulate either the floor or room temperature, or combined (in this case, the floor sensor is used as temperature limiter)

ON /OFF switch.  
16A Relay .

The product is supplied with two fronts and frames (Square and round) for system ELKO RS/B&J JUSSI and ELJO TREND following the version.



**CONFIGURATION SWITCH**



\* The defaults setting are underlined.

**LED INDICATOR**

- Red:** - Heating indication
- Green:** - reduction mode by clock (pilot wire)
- Orange:** - Heating during reduction mode by clock (pilot wire)

- Red blinking:** - 0.5 second cycle => Internal & external sensor failures
- 1 second cycle => Internal sensor failure
- 2 seconds cycle => External sensor failure

**TECHNICAL CHARACTERISTICS**

Measuring accuracy	±0,1°C
Operating temperature	0°C – 40°C
Setting temperature range	+5°C to 35°C
Floor limiting temperature range	10°C to 40°C
Regulation characteristics	Proportional band 10min for 2°K or Static differential 0.5°K
Electrical Protection	Class II - IP21
Color	Polar White RAL 9010
Main Switch	Two poles 16A
Output	Relay 16A 250Vac resistive load (AC1)
Power supply	230VAC ± 10%
External sensor	NTC 10k Ω 25°C (only supplied with Wattstemp 740)

**F** Installation

**GB** Installation

**D** Installation

**I** Installazione

**E** Instalación

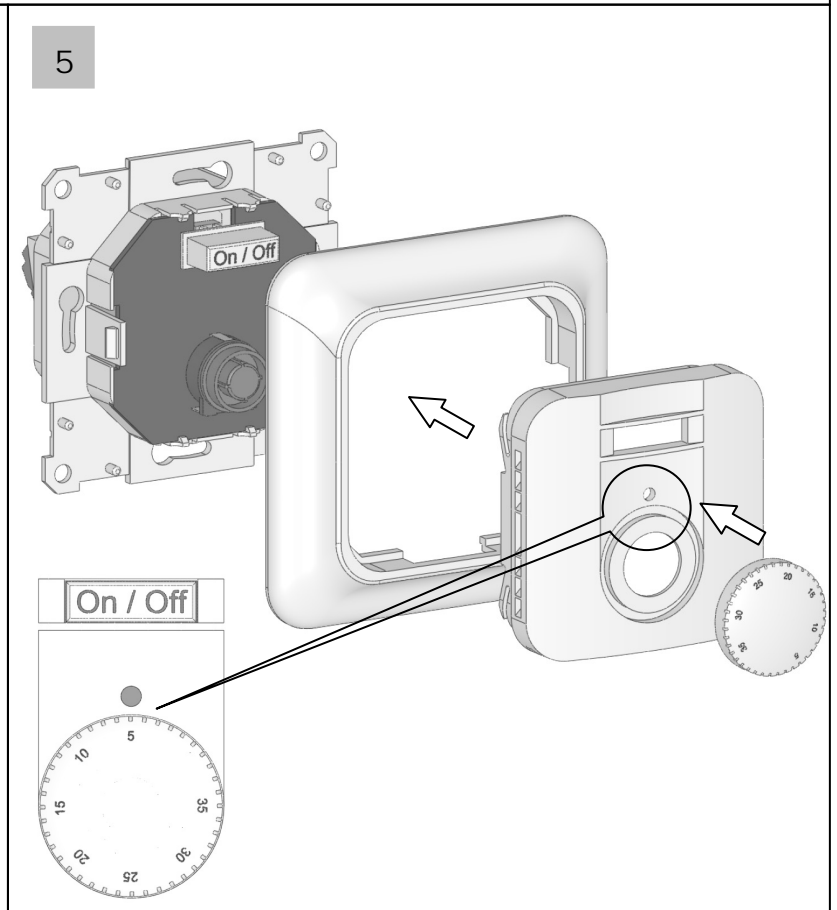
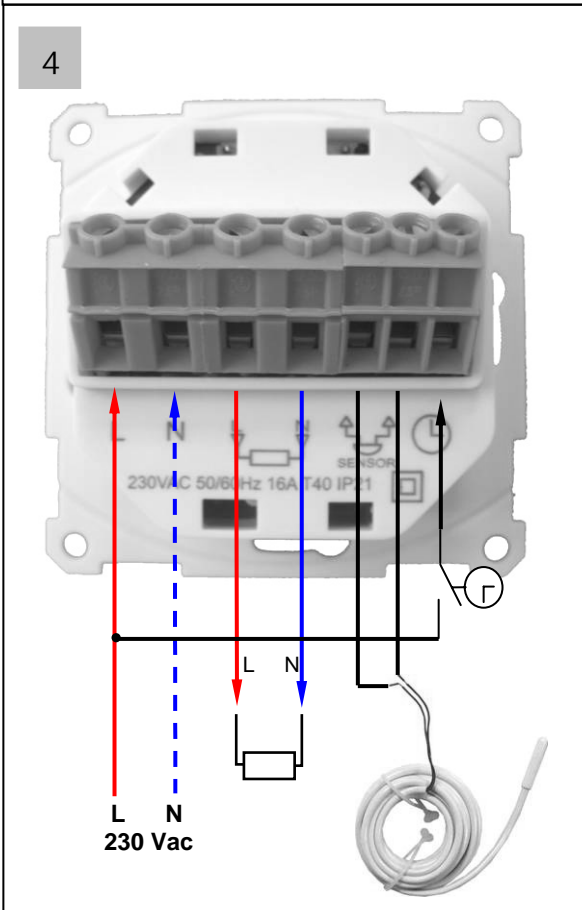
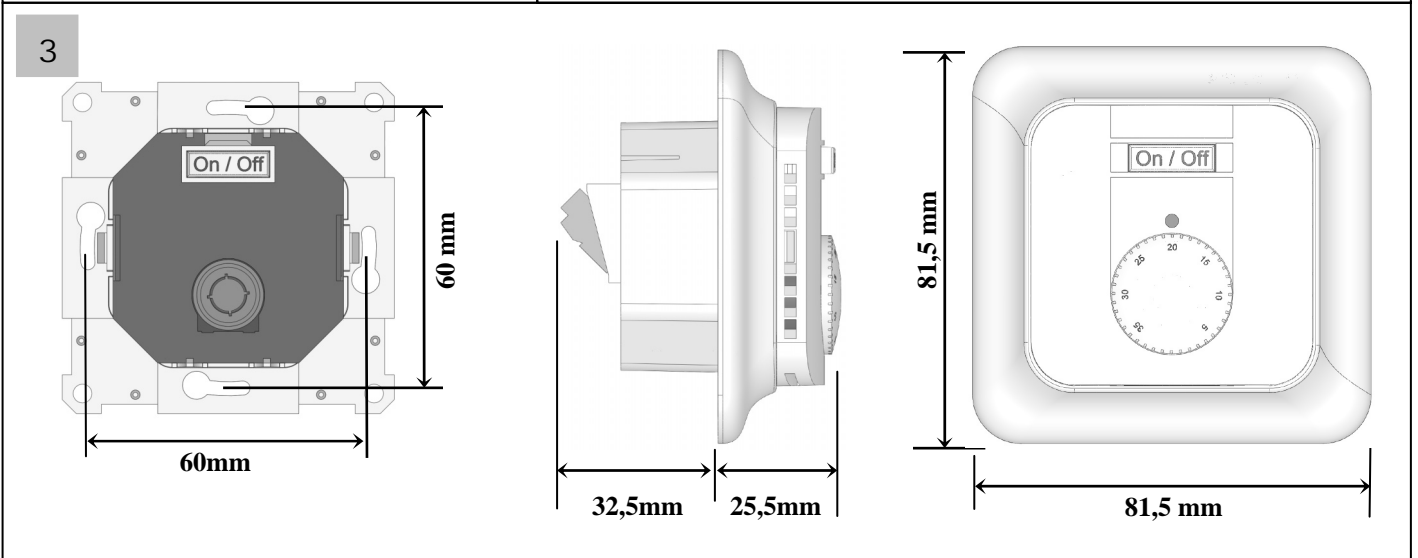
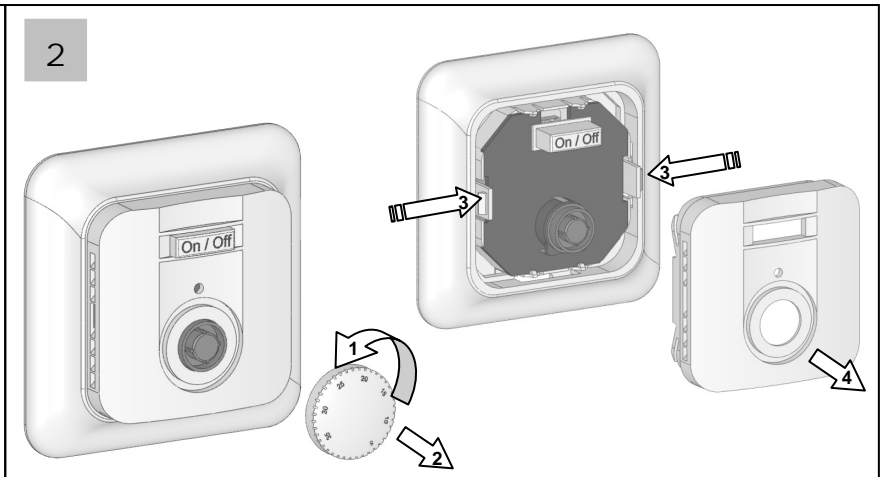
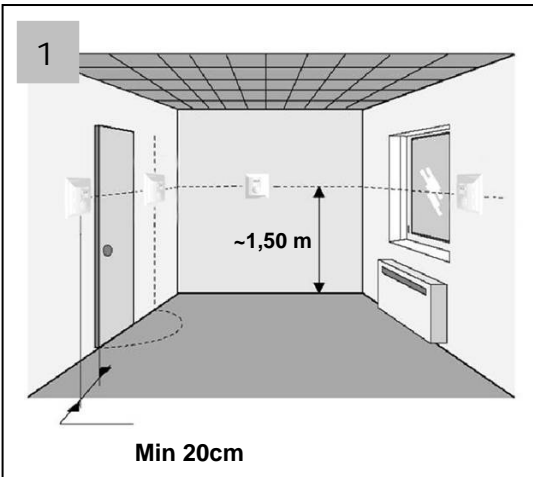
**P** instalação

**NL** installatie

**FIN** Asennus

**SE** Installation

**N** Installasjon



6



- F** Calibration
- GB** Calibration
- D** Kalibrierung
- I** Calibrazione
- E** Calibración
- P** Calibração
- NL** Calibratie
- FIN** Säädön Rajoitus
- SE** Kalibrering
- N** Kalibrering

