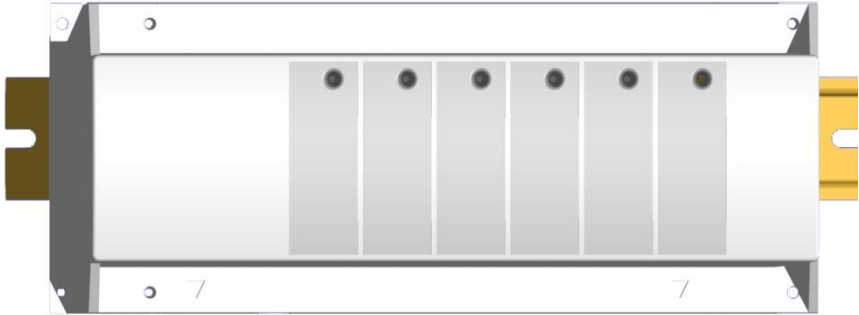


Master 6 zones 230VAC for NC actuators



USER GUIDE

Master 6 zones 230VAC for NC actuators (Normally Closed)

GB

3-5

1. TECHNICAL CHARACTERISTICS

Operating temperature	0°C - 50°C
Protection	Class I - IP20
Power supply	230 VAC +/- 10%
Output	<u>Pump & accessories:</u> Relay => 2 free contact 8A 250Vac <u>Zones:</u> 6 independent zones => the maximum output power of each zones depends on thermostat connecting on this zone.
Norms and homologation:	EN 60730-1 : 2003 EN 61000-6-1 : 2002 EN 61000-6-3 : 2004 EN 61000-4-2 : 2001 Low voltage 2006/95/CE EMC 2004/108/CE

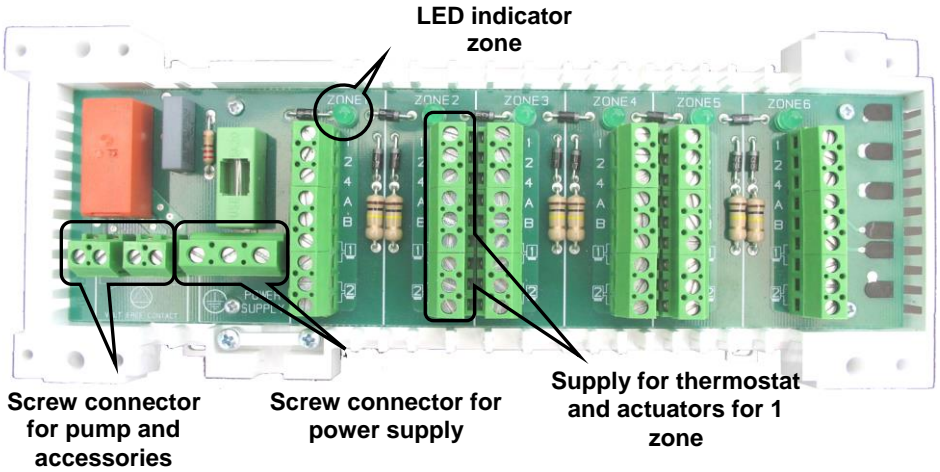
2. DESCRIPTION AND FUNCTION

The **MASTER** with 6 zones is a wiring module with built in pump logic. All the main electrical connections for water floor heating system are existing. This box can be adapted either on a DIN rail or directly on a wall. (the DIN rail mounting permit to add with facility a **SLAVE** module or **TIMER**).

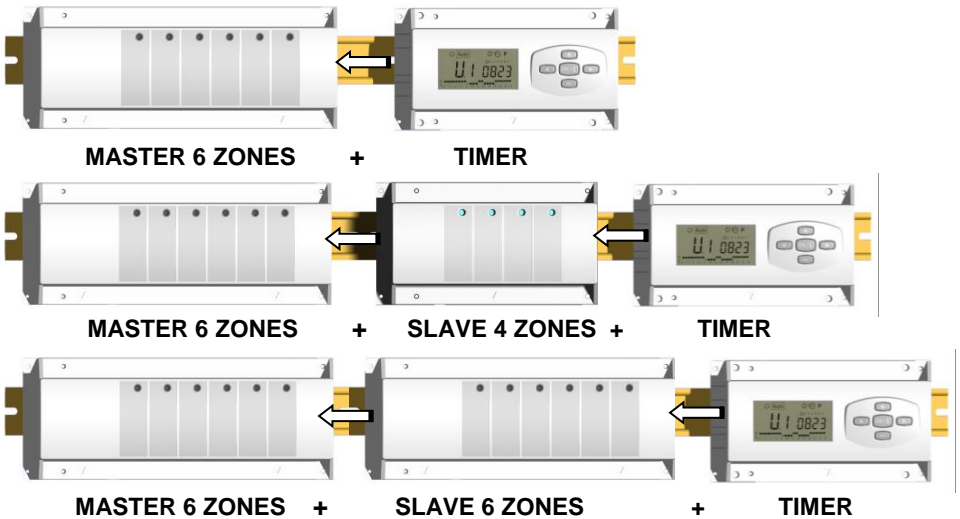
It connects room thermostats to their corresponding actuators. The states of the zones are indicated by individual LEDs. By using terminal A and B, the pilot wire of thermostats can be controlled by an external **TIMER**. As soon as we have a heat demand from one zone a relay with 2 potential-free contacts is switch on (pump, boiler or other possible connection).

3. LED INDICATOR

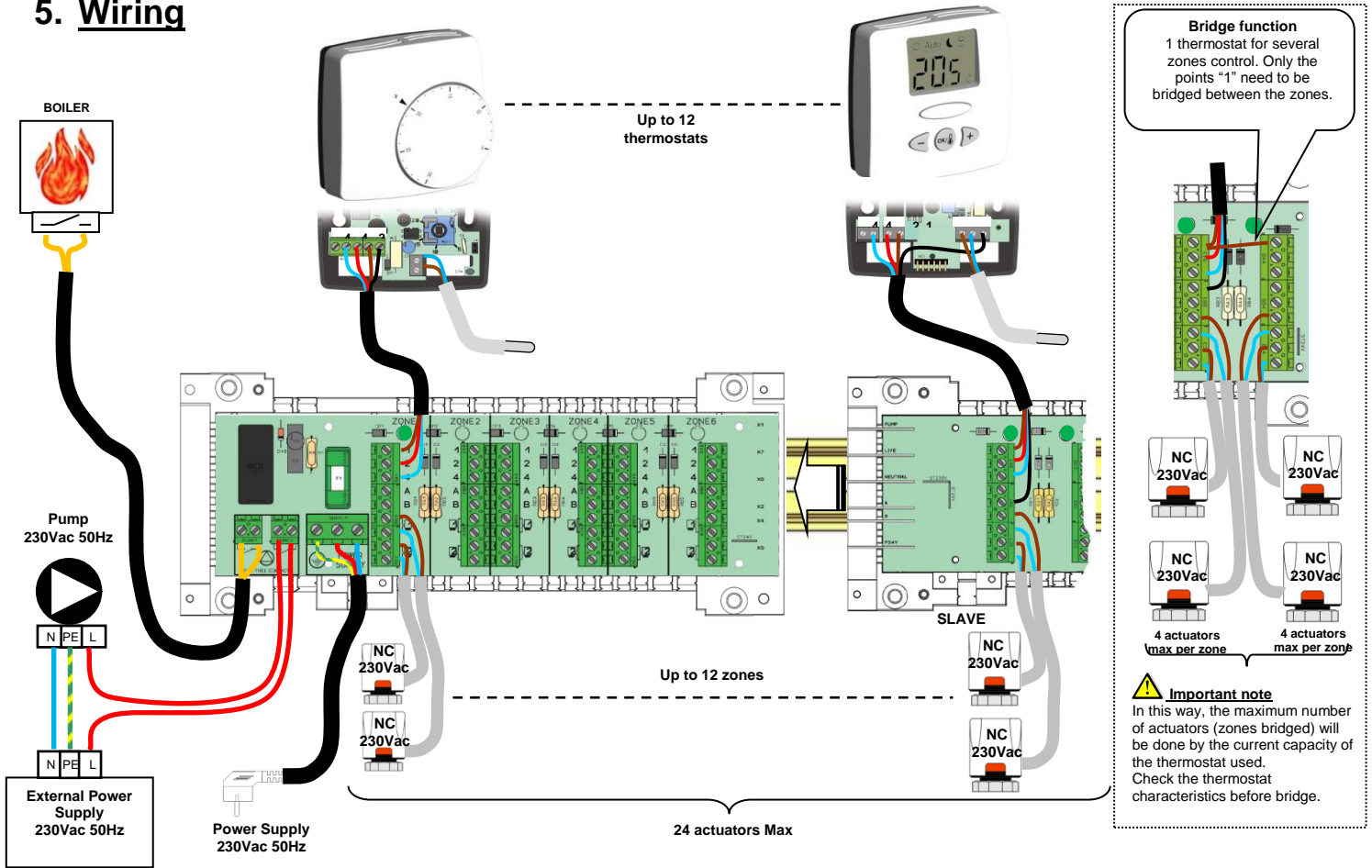
Green: - Heating indication (water circulation on this zone)



4. Possible combinations with slave modules (6, 10, 12 zones)



5. Wiring





www.wattsindustries.com

CE