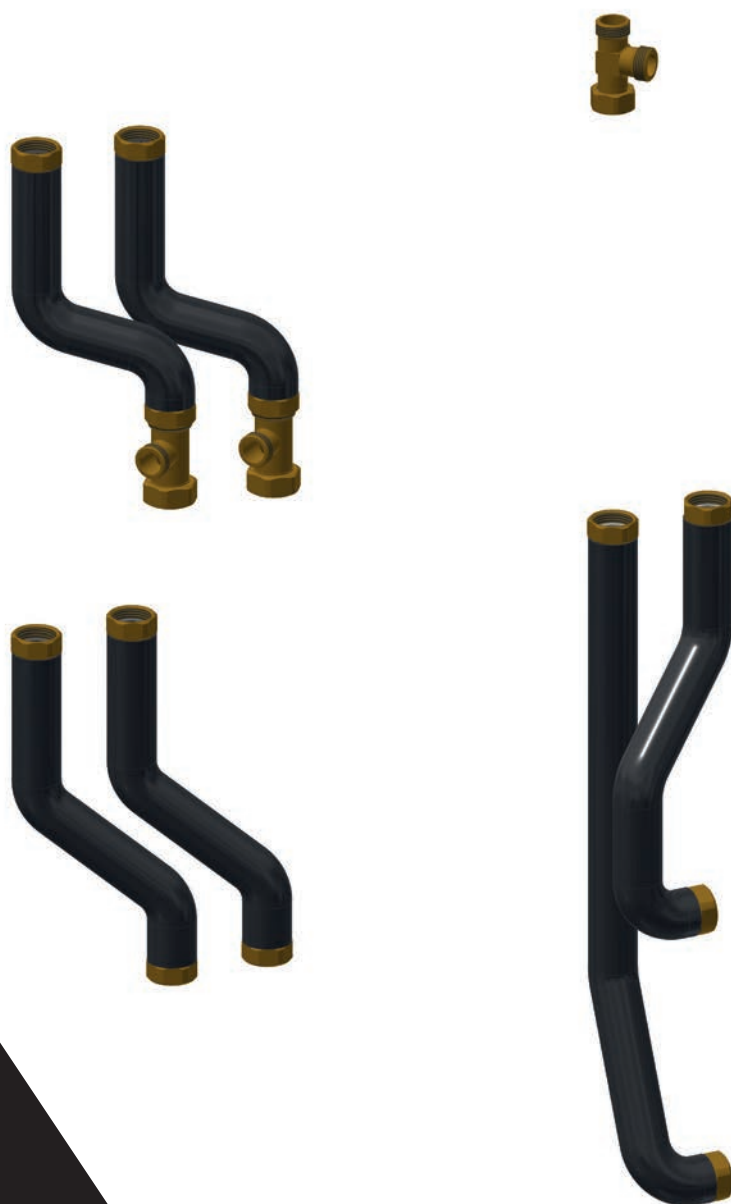


Connector set

Installation and operating manual

(translated from the original Operating Manual)



Content

1 General information.....	2
1.1 Important notes about the Installation and Operating Manual	2
1.2 Product features	2
2 Safety	3
2.1 Safety notices.....	3
2.2 Important safety information	3
2.3 Intended use.....	3
2.4 Foreseeable misuse.....	3
2.5 Operator's responsibility.....	3
2.6 Users.....	4
3 Product overview.....	4
4 Installation	5
4.1 Installing the manifold	5
4.2 Option: Installing the connector set with high-temperature connection (HT)	5
5 Assembly	6
5.1 Assembling the components	6
5.2 Installation options.....	7
6 Disposal	8
6.1 Return to manufacturer.....	8
6.2 Informing authorities and the manufacturer.....	8
7 Warranty	8

1 General information

1.1 Important information about the Installation and Operating Manual

NOTICE

The operator is responsible for ensuring adherence to the local laws and regulations (e.g. accident prevention regulations, etc.).

Incorrect operation or operating the system contrary to the specifications shall void all rights to any warranty claim.

This Installation and Operating Manual

- is part of the connector set
- contains instructions and information on safe and correct installation and commissioning of the connector set
- must be available to all users throughout the entire service life of the connector set
- is intended for trained personnel who are familiar with the applicable standards and provisions and, in particular, with the relevant safety concepts and the operation and maintenance of the connector set
- is protected by copyright and may not be altered without the manufacturer's permission
- may not be made accessible to unauthorized personnel, either in original form or as a copy.

1.2 Product features

- All system connections with 1" and 3/4" male thread, and flat sealing
- Compact, space-saving design
- Modular design and suitable for connection to the intended cabinets

2 Safety

2.1 Safety notices

▲ DANGER DANGER indicates an imminent danger that may cause serious physical injury or death if the appropriate safety precautions are not in place.

▲ WARNING WARNING indicates a danger arising through incorrect behaviour (e.g. misuse, disregarding notices, etc.) that may cause serious physical injury or death.

▲ CAUTION CAUTION indicates a potentially dangerous situation that may cause minor or slight injuries if the appropriate safety precautions are not in place.

NOTICE NOTICE indicates a situation that may cause material damage if the corresponding precautions are not taken.

2.2 Important safety information

- Read this operating manual carefully before use.
- Maintenance, cleaning and repair work may be carried out by trained specialist personnel only.
- If the connector set is damaged or is not functioning perfectly, the connector set must no longer be used. In this case, contact your specialist dealer immediately.
- Observe the maintenance instructions and intervals.
- Protect the connector set against the effects of weather.
- Never use the connector set outdoors.
- The connector set may only be used in accordance with its intended use.

2.3 Intended use

Connector set suitable for connection to HIU 2 manifold cabinet.

The connector set is not intended for use by persons (including children) with reduced physical, sensory or mental capabilities, or lack of specialist knowledge or experience.

2.4 Foreseeable misuse

The following is regarded as foreseeable misuse:

- operating the connector set contrary to the specifications
- improper use of the connector set
- modifications to the connector set not agreed with the manufacturer
- use of replacement or wear parts not approved by the manufacturer
- operating the connector set outdoors (parts and components are not UV resistant)

2.5 Operator's responsibility

The operator must ensure that:

- the connector set is only used for its intended purpose
- the connection set installed, operated and maintained according to the specifications in the Installation and Operating Manual
- the connector set is only operated according to local regulations and occupational health and safety regulations
- all precautionary measures have been carried out to avoid dangers originating from the connector set
- all precautions for first aid and fire suppression are carried out
- only authorized and trained users have access to the connector set and operate it
- users have access to this Installation and Operating Manual at all times

2.6 Users

Only qualified persons may install and operate the connector set or perform maintenance work.

Operators

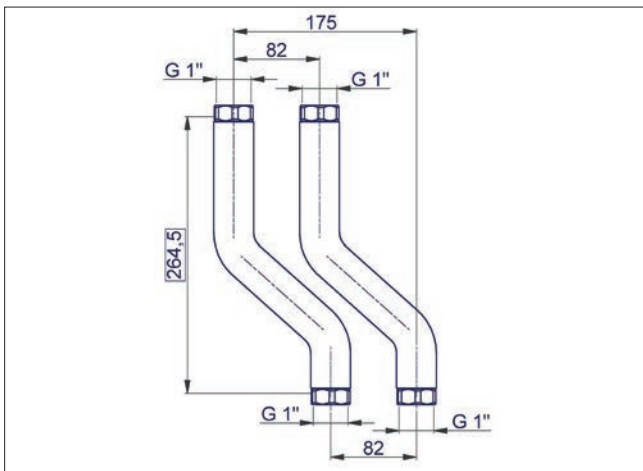
An operator is deemed to be qualified if they have read this operating manual and understood the potential hazards associated with improper behaviour.

Fitters/commissioners

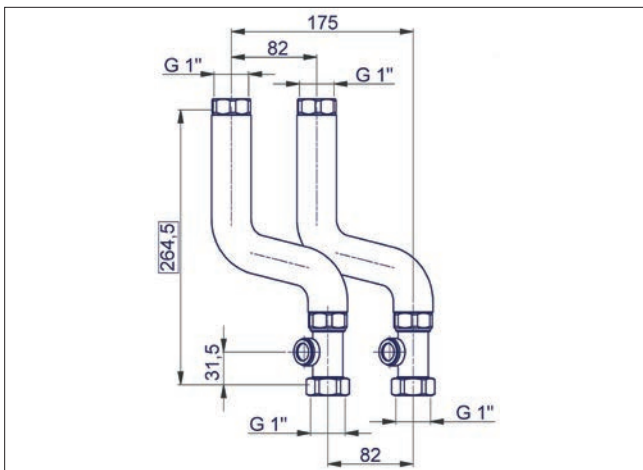
A fitter or commissioning engineer is in a position to carry out work on the connector set and to detect and prevent potential hazards taking into consideration the applicable standards, provisions, regulations and laws and his/her technical training and technical knowledge.

3 Product overview

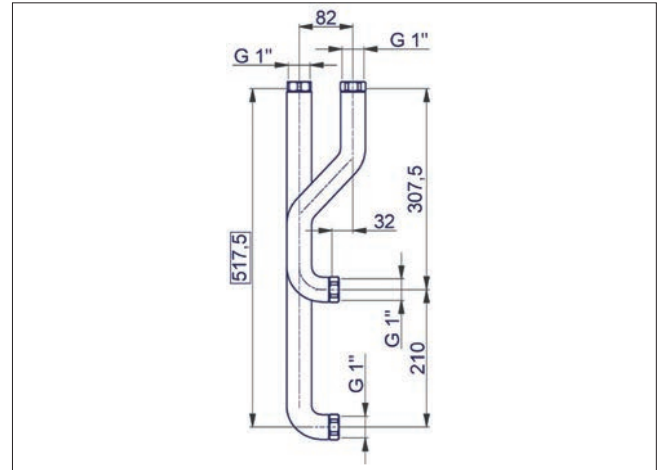
Type: AS-SET HIU 2 HK
Part no.: 10078466



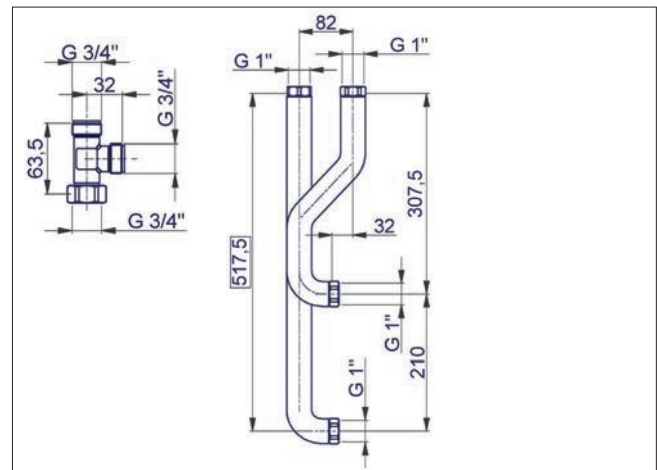
Type: AS-SET HIU 2 HK HT
Part no.: 10079904



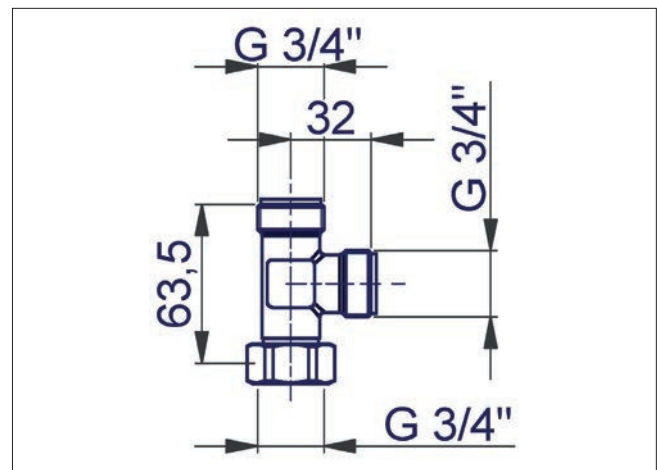
Type: AS-SET HIU 2 HKM
Part no.: 10078465



Type: AS-SET HIU 2 HKM HT
Part no.: 10079905



Type: AS-SET HIU 2 HKM HT T-ST
Part no.: 1008314



4 Installation

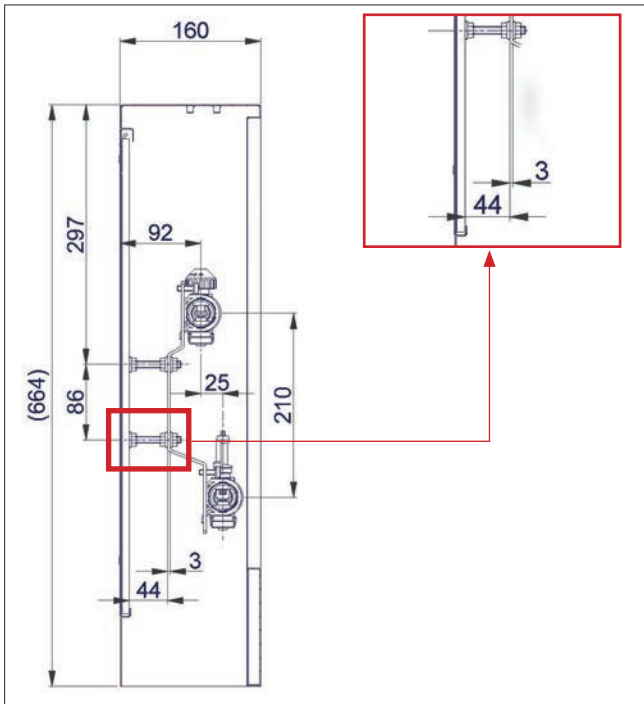
NOTICE Installation and commissioning of the connector set must be carried out exclusively by specialist personnel who have been duly trained and authorised by the manufacturer.

4.1 Installing the manifold

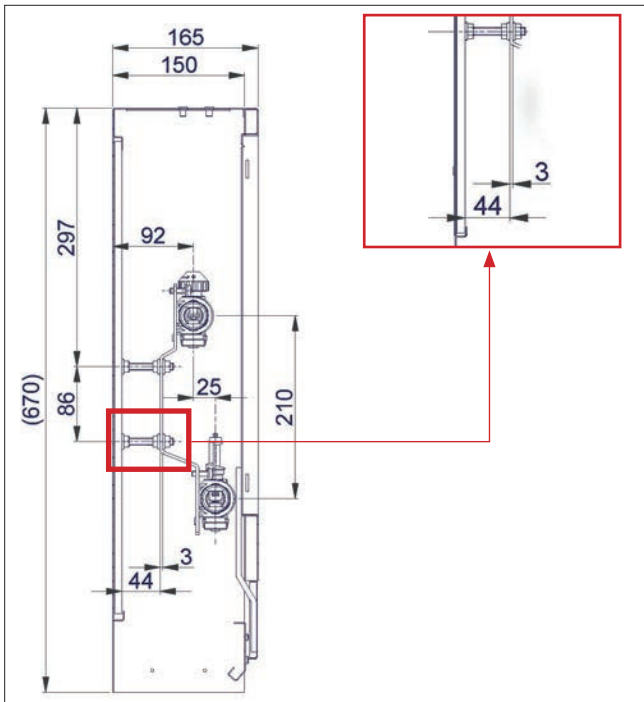
Maintain a distance of 44 mm!

NOTICE

Wall-mounted

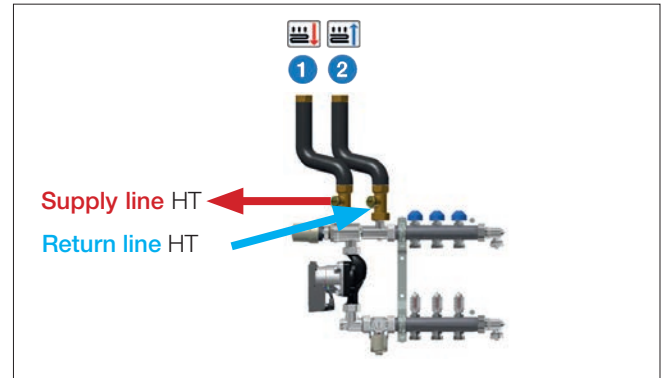


Flush-mounted

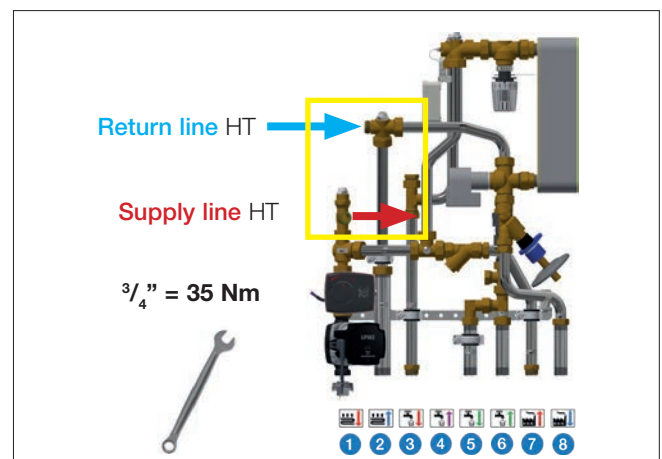
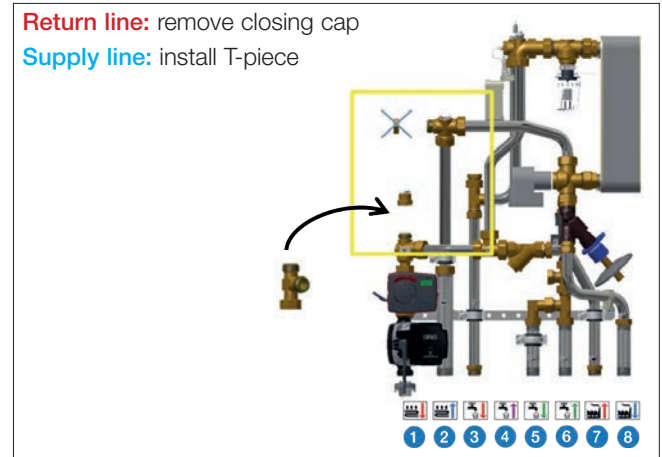


4.2 Option: mounting the connector set with high-temperature connection (HT)

HIU 2 HK HT



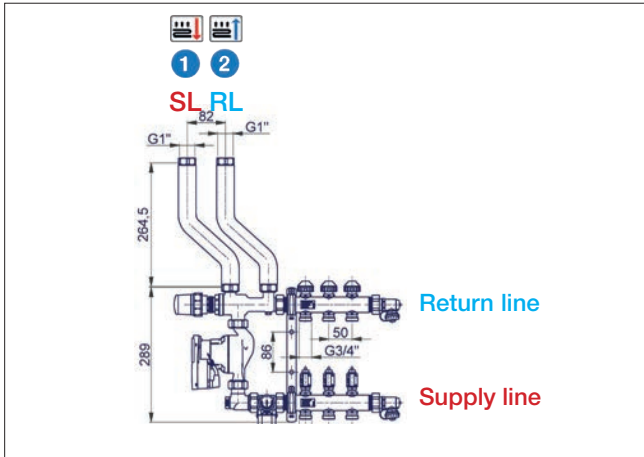
HIU 2 HKM HT



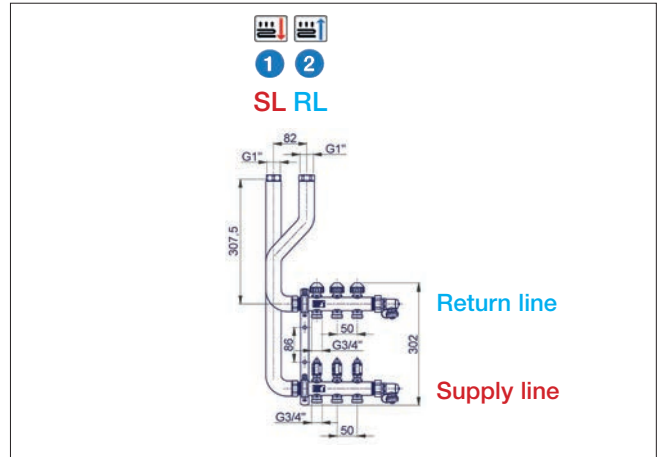
5 Assembly

5.1 Assembling the components

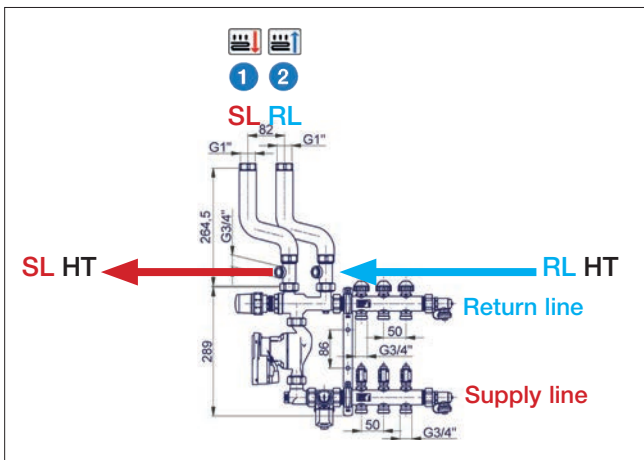
Type: AS-SET HIU 2 HK
Part no.: 10078466



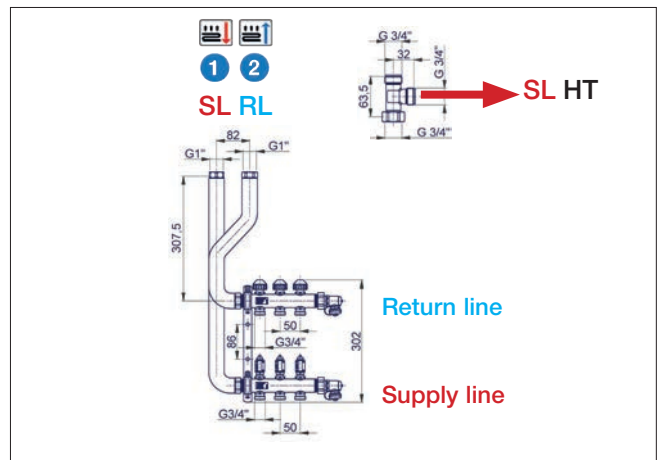
Type: AS-SET HIU 2 HKM
Art. no.: 10078465



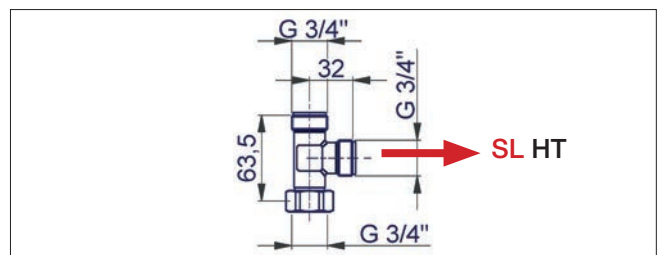
Type: AS-SET HIU 2 HK HT
Part no.: 10079904



Type: AS-SET HIU 2 HKM HT
Part no.: 10079905



Type: AS-SET HIU 2 HKM HT T-ST
Part no.: 1008314

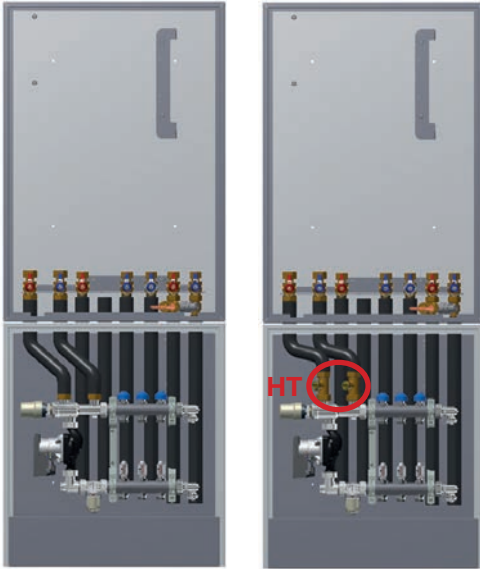


Installation options

HIU 2A-2 + VSHA-x cabinets

HIU 2 HK (Isomix)

shown without HIU 2 heat interface unit



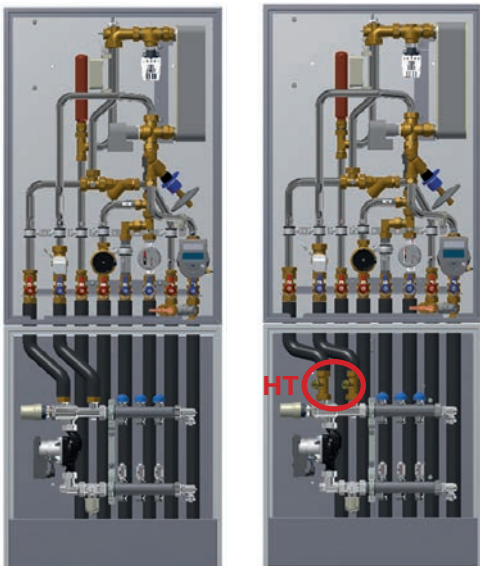
HIU 2 HKM

shown without HIU 2 heat interface unit



HIU 2 HK (Isomix)

shown with HIU 2 heat interface unit

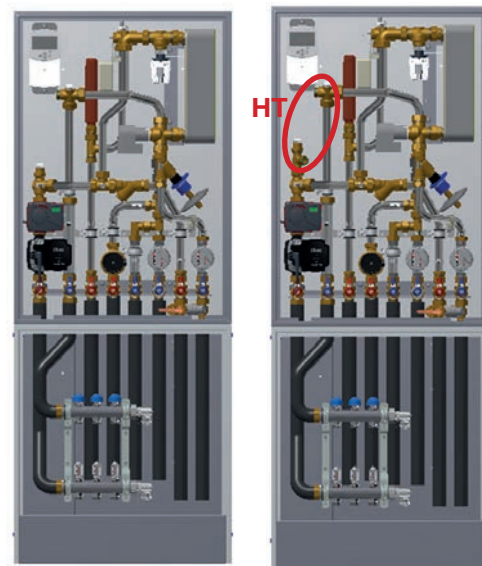


$\frac{3}{4}'' = 35 \text{ Nm}$
 $1'' = 55 \text{ Nm}$



HIU 2 HKM

shown with HIU 2 heat interface unit



$\frac{3}{4}'' = 35 \text{ Nm}$
 $1'' = 55 \text{ Nm}$



6 Disposal

▲ WARNING

Improper disposal can lead to contamination of the environment and groundwater!

When disposing of components and operating materials, the provisions and guidelines of the country of use must be observed.

1. Dismount the connector set in the correct way or engage a specialist company to do this.
2. Separate the subassemblies and components into recyclable materials, hazardous substances and operating materials.
3. Dispose of the subassemblies and components in accordance with local laws and provisions or take them to a recycling facility.

6.1 Return to manufacturer

Contact the manufacturer if you wish to return the connector set or component parts.

6.2 Informing authorities and the manufacturer

Inform the manufacturer when decommissioning and disposing of the connector set for statistical purposes.

7 Warranty

WATTS products are tested extensively. WATTS therefore guarantees only the replacement or, at the sole discretion of WATTS, the free-of-charge repair of components of the supplied products where these, in the opinion of WATTS, exhibit verifiable manufacturing faults. Warranty claims due to defects or defects of title may be asserted within one (1) year of delivery/transfer of risk. Excluded from the warranty are damages attributable to normal product wear or friction and damages resulting from modifications or non-authorized repairs on the products, for which WATTS rejects all claims for compensation (direct or indirect). (For more detailed information, please refer to our website.) In all cases, supply is subject to the General Terms and Conditions, which can be found at www.wattswater.de.