

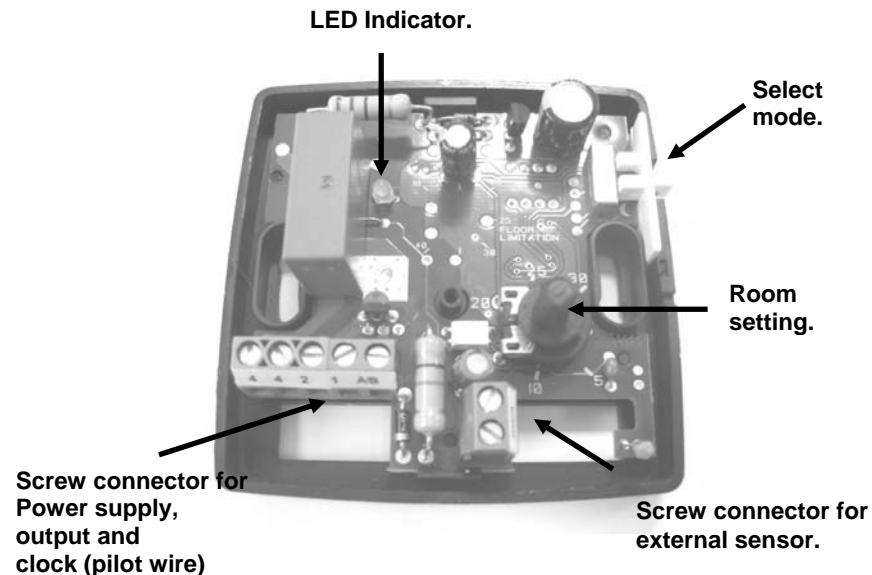
Thermostat basic with pilot wire 230Vac ANO WFHT 012 (20121)
 Thermostat basic with pilot wire 230Vac ANC WFHT 013 (20122)



Optional external sensor (10K at 25°C 3 meters)

MODES DESCRIPTION

- Electronic thermostat with night reduction mode for water floor heating systems controlled by actuators.
- External pilot wire for night reduction, equipped with a switch to select comfort, reduction or clock mode.
- Regulating on internal sensor.
- Option: Possibility to regulate on external sensor (NTC 10K)
 The external sensor must be connected without power supply. At power up the thermostat automatically detects the sensor used. (If the external sensor is connected the regulation use this sensor)
- Silent (triac output), to be connected directly to actuators (see connecting drawing on the installation sheet) or to our Modular connecting system. (In this case please refer to the connecting box datasheet)



LED INDICATOR

- Red:** - Heating indication with internal sensor regulation.
- Orange:** - Heating indication with external sensor regulation.
- Green:** - reduction mode by clock (pilot wire)

- Red blinking:**
- 0,5 second cycle => Internal sensor failure
 - 1 second cycle => External sensor failure

TECHNICAL CHARACTERISTICS

Measured temperature precision	0.1°C (or 0.2°F)
Operating temperature	0°C - 50°C (or 32°F - 122°F)
Setting temperature range	5°C - 30°C (or 41°F - 86°F)
Regulation characteristics	Static differential 0.5°K
Electrical Protection	Class II - IP30
Power Supply	230 VAC +/- 10%
Output	TRIAC output 230 VAC, 75 W max. (15 actuators)
Optional External sensor	NTC (10K Ohms) 3m

F Installation

GB Installation

D Installation

I Installazione

E Instalación

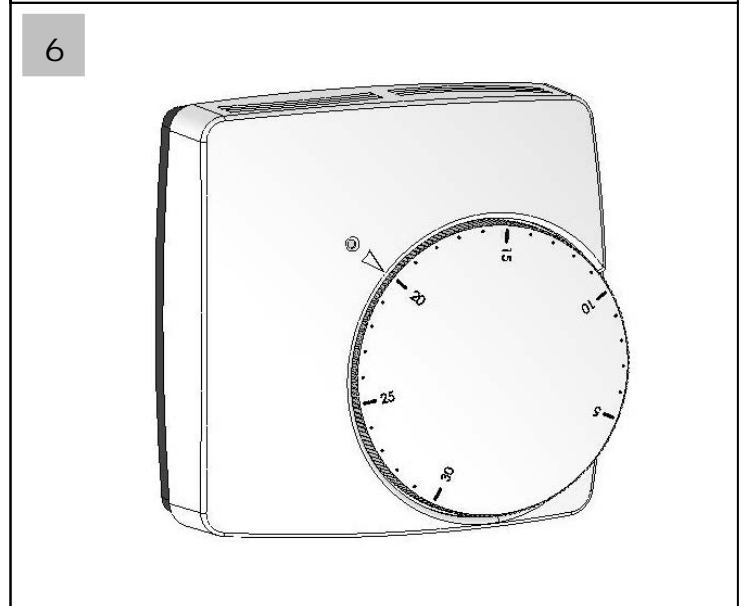
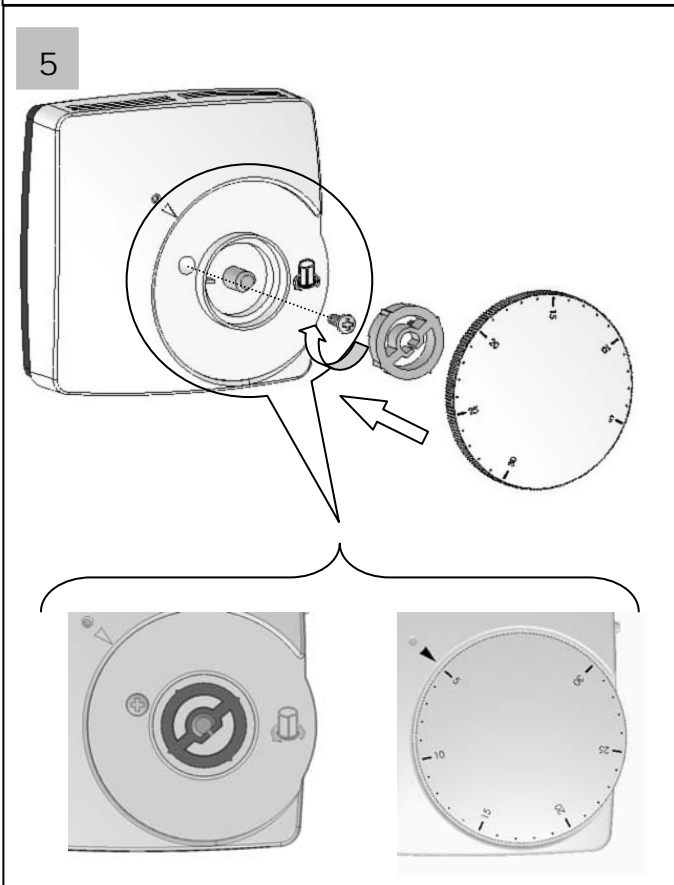
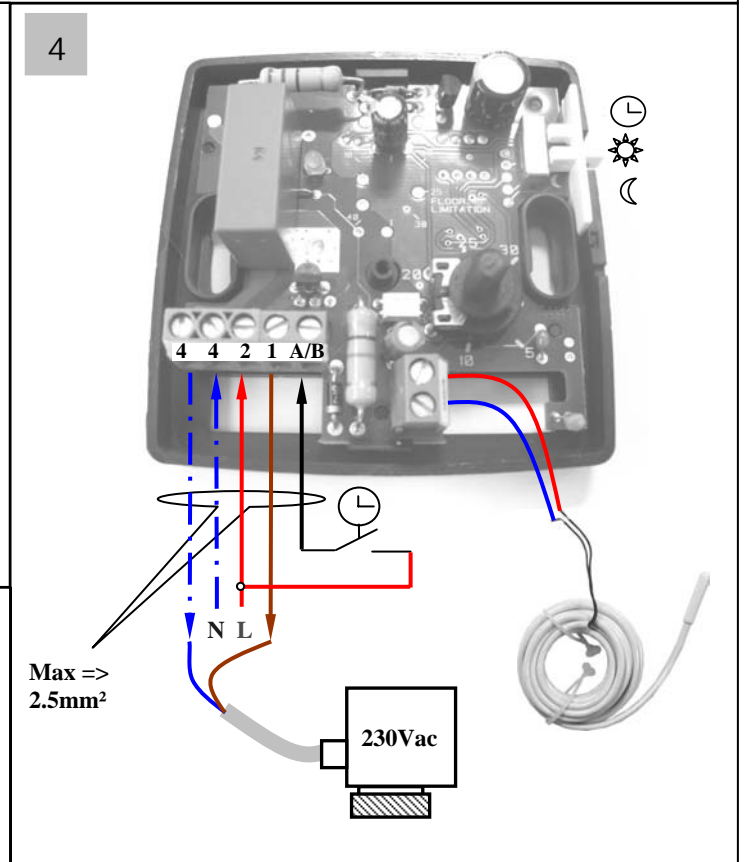
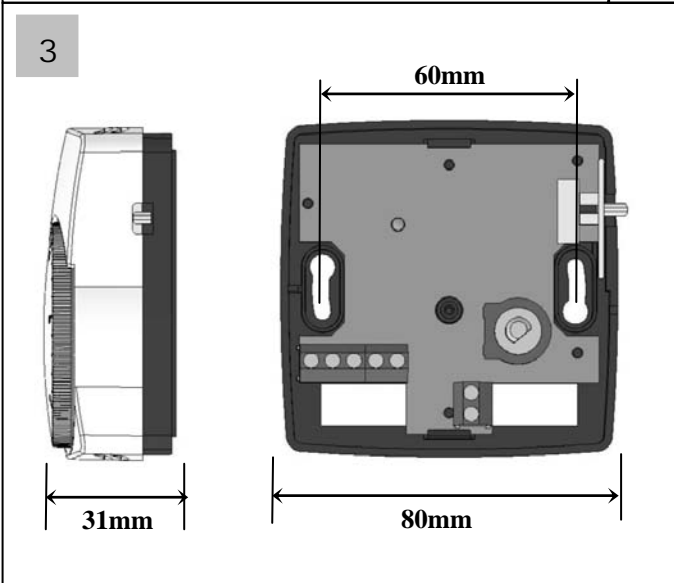
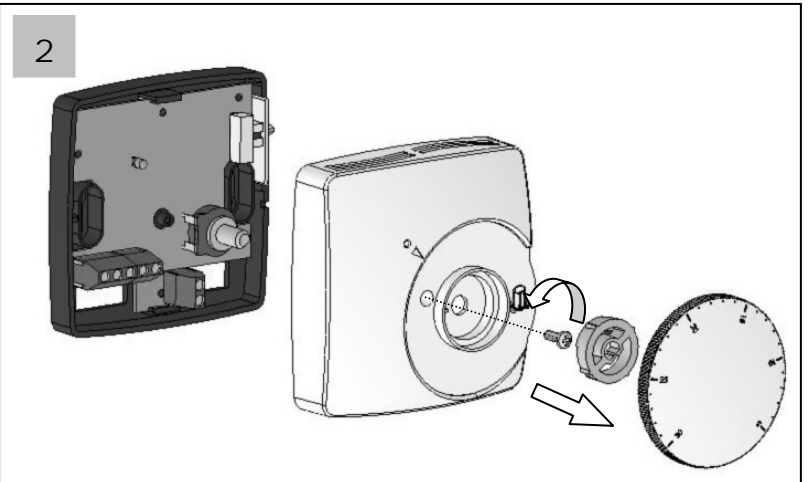
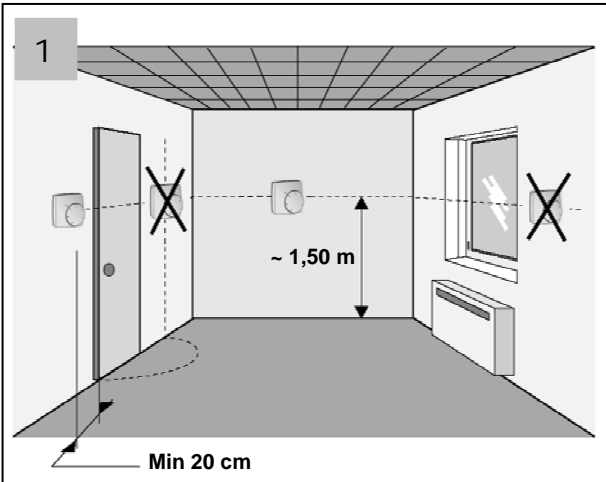
P instalação

NL installatie

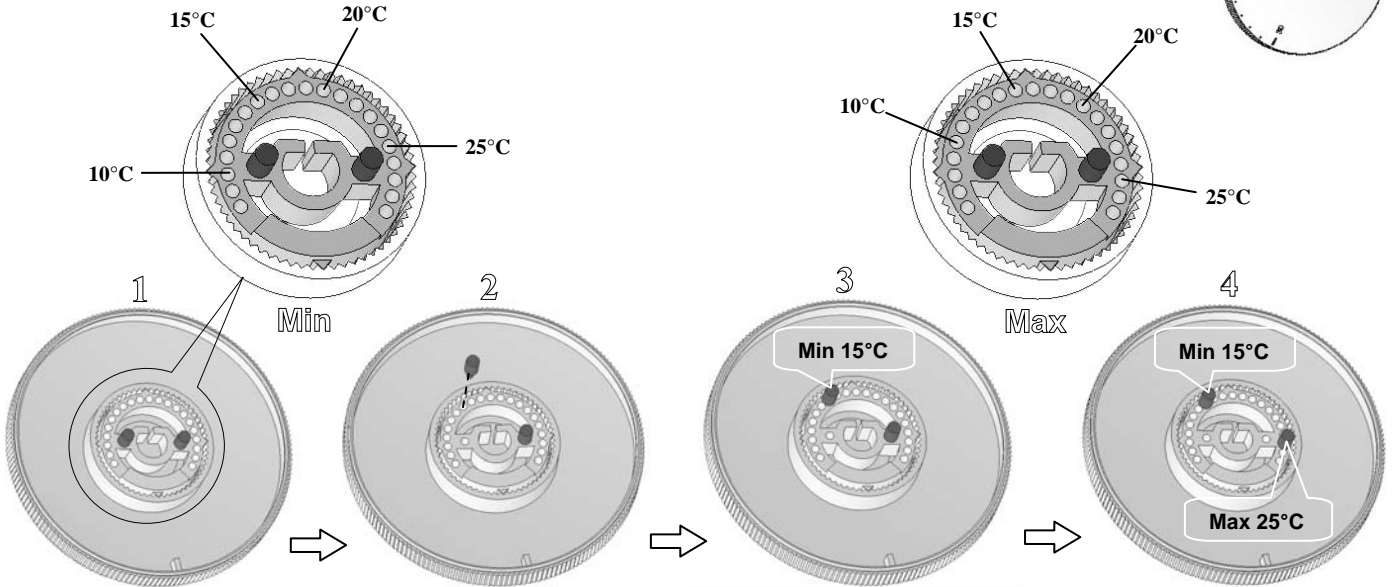
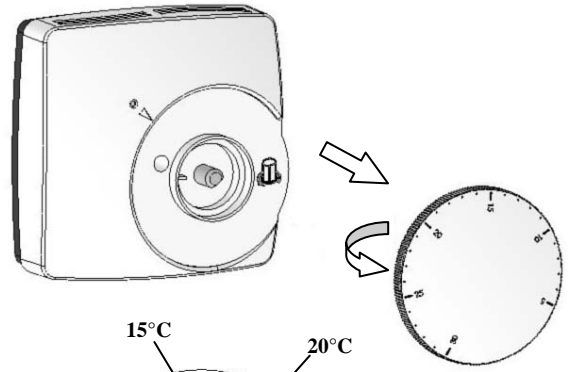
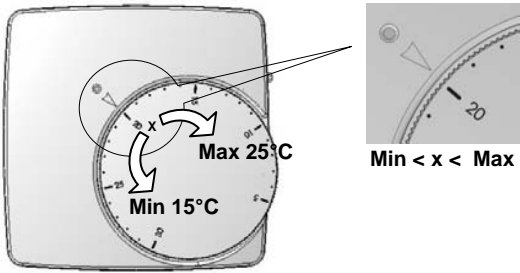
FIN Asennus

SE Installation

N Installasjon



F Limitation **GB** Limitation **D** Begrenzung **I** Limitazione **E** Limitación
P Limitação **NL** Begrenzing **FIN** Kalibrointi **SE** Begränsning **N** Begrensning



F Calibration **GB** Calibration **D** Kalibrierung **I** Calibrazione **E** Calibración
P Calibração **NL** Calibratie **FIN** Säädön Rajoitus **SE** Kalibrering **N** Kalibrering

