

# IN

Antipollution insert checkvalve - EB type

## Technical Data Sheet



## Description

IN checkvalves are compliant with the regulation of NF Antipollution brand.

According to the EN 1717, these EB type checkvalves are incorporated in a device, and guarantee a drinking water protection against a risk of pollution from a fluid of category 2.

The design of IN checkvalve is an advantage for OEM application with side-connection (as gauge connection). The O'ring can be mounted first and secondly the checkvalve itself. In this way the O'ring will not be damaged by sharp edges of the side-connection.

- Minimum head loss
- Noiseless operation due to a split obturator
- Does not generate hammering
- Compact and easy to fit
- Axial guidance obturator with return spring
- Absolute sealing at high or low back pressure ensured by an especially designed lip-seal
- Meets the requirements of all europeans approvals



## IN

Antipollution insert checkvalve - EB type

DN		PFA in bar	PS in bar				Cat.	Ref.	Weight Kg
C	"		L1	L2	G1	G2			
15	1/2	10	10	10	10	10	4.3	<b>2224003</b>	0,0017
20	3/4	10	10	10	10	10	4.3	<b>2224004</b>	0,0030
25	1	10	10	10	10	10	4.3	<b>2224007</b>	0,0072
32	1 1/4	10	10	10	0,5	10	4.3	<b>2224005</b>	0,0150
40	1 1/2	10	10	10	0,5	10	4.3	<b>2224006</b>	0,0230
50	2	10	10	10	0,5	10	4.3	<b>2224002</b>	0,0560

### Important notice :

The temperature and pressure indications given for the various categories of fluids (L1/L2/G1/G2) are under no circumstances a guarantee that they are suitable for your system. Therefore, it is essential to validate the use of the products under given operating conditions with our technical department.

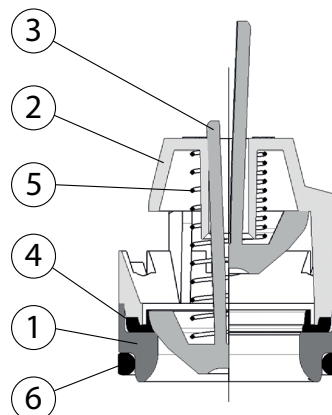
In addition, the operating instructions are available on our website [www.socla.com](http://www.socla.com) or by simply asking our sales department.

### Technical features

Operation temperatures	Continuous -10°C up to 65°C / Maxi. : 85°C (in case of an accidental peak during 1h)
Permissible operating pressure (PFA) in water	See table above
Maximum permissible pressure (PS) other mediums	See table above
Connection	Incorporation in a device
Mediums	Clear liquids, drinking water, neutral gaz

### Nomenclature and materials

N°	Description	Materials
1	Body	POM (Polyacétal)
2	Guide	POM (polyacétal)
3	Obturator	POM (polyacétal)
4	Seal	EPDM
5	Spring	Stainless steel
6	O'ring	EPDM



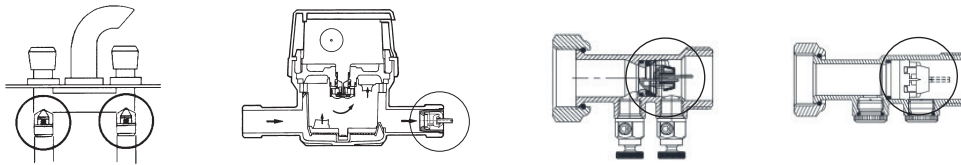
## Approvals



### International Construction Standards :

Specific NF brand regulation (technical doc. n°6 : antipollution checkvalve)  
NF EN 13959

## Application



IN checkvalves are incorporating in :

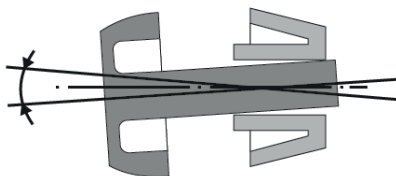
- Sanitary taps
- Thermostatic mixing valve
- Water meter
- EA antipollution devices ( BB, WF, WH,...)
- CA antipollution device

## Fonctionnement

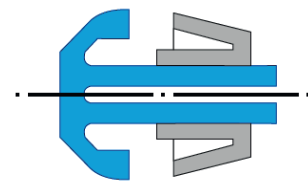
Some vibrations can occur at low flow rates. These vibrations are generated by possible lateral movements of the valve. Until now it was impossible to avoid this effect without affected hydraulic characteristics.

Thanks to the unique guide system by slotted stem that eliminates the possibility of movements and optimal hydraulic profile, vibration are eliminated.

By providing this guidance without the possibility of movements avoids calcareous deposits and vibration, ensuring a flowless and quiet operation for years.



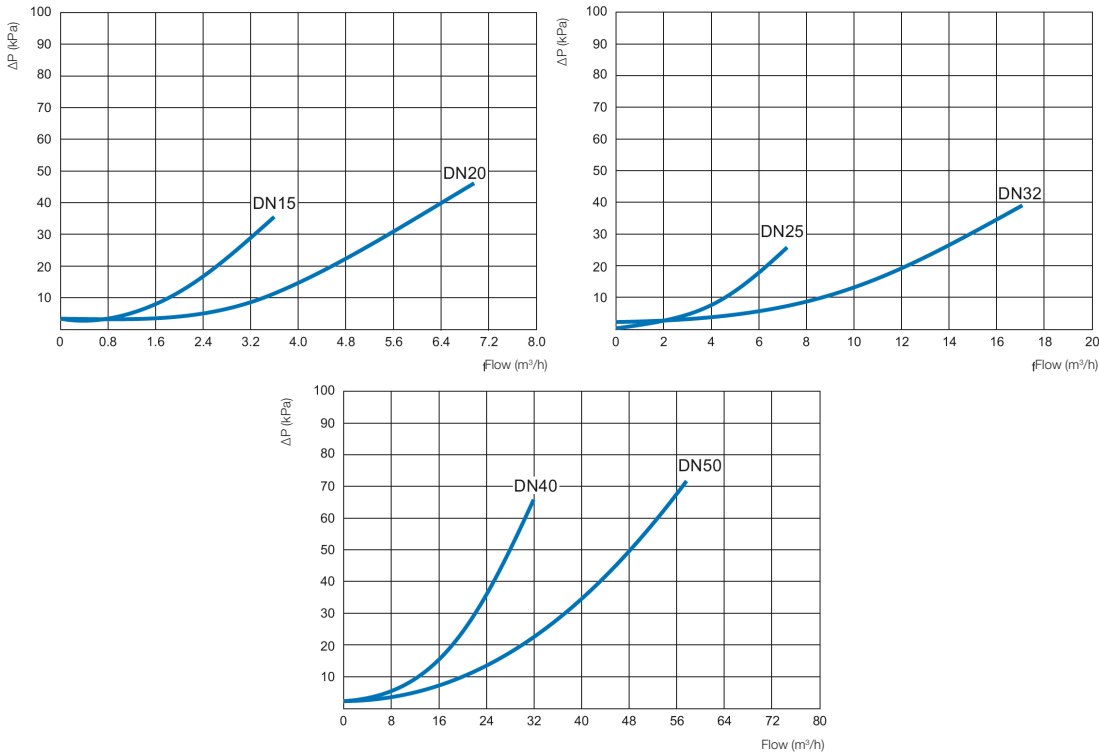
**Classic obturator guidance**



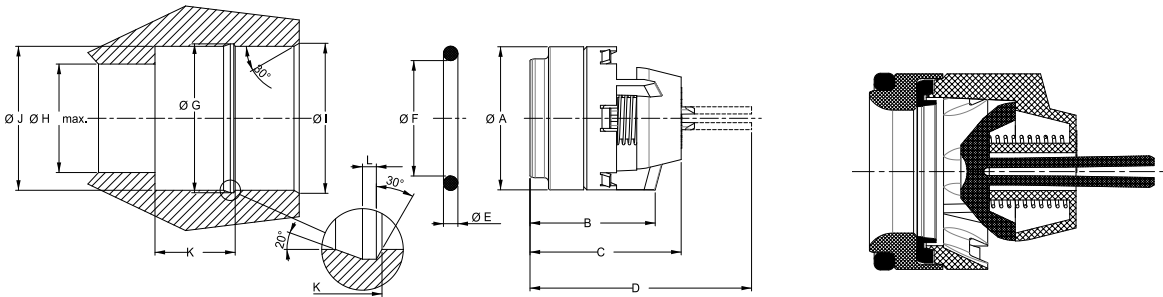
**WATTS obturator guidance**

# Operation

## IN - Headloss chart



## Sizing



Ref	DN	ØA	B	C	D	ØE	ØF	ØG	ØH	ØI	ØJ	K	L
	mm	mm	mm	mm	mm	mm	mm	mm	mm	mm	mm	mm	mm
2224003	15	15,18 <sup>0</sup> <sub>-0,05</sub>	12,2 ±0,4	15,2 ±0,5	22,80 ±0,5	1,5	12	15,8 ±0,1	11,5 <sup>0</sup> <sub>-0,1</sub>	16,1 ±0,1	15,2 <sup>+0,1</sup> <sub>0</sub>	7,4 <sup>+0,2</sup> <sub>0</sub>	0,2 <sup>+0,2</sup> <sub>0</sub>
2224004	20	19,78 <sup>0</sup> <sub>-0,05</sub>	16,60 ±0,4	21,7 ±0,5	32,20 ±0,5	2,0	16	20,6 ±0,1	15,2 <sup>0</sup> <sub>-0,1</sub>	21,1 ±0,1	19,8 <sup>+0,1</sup> <sub>0</sub>	10,8 <sup>+0,2</sup> <sub>0</sub>	0,4 <sup>+0,2</sup> <sub>0</sub>
2224007	25	24,90 <sup>0</sup> <sub>-0,07</sub>	21,50 ±0,4	26,0 ±0,5	35,90 ±0,5	2,5	20	25,8 ±0,1	18,8 <sup>0</sup> <sub>-0,1</sub>	26,0 ±0,1	24,95 <sup>+0,1</sup> <sub>0</sub>	13,9 <sup>+0,2</sup> <sub>0</sub>	0,6 <sup>+0,2</sup> <sub>0</sub>
2224005	32	31,70 ±0,07	26,65 ±0,4	34,45 ±0,5	51,45 ±0,5	2,95	26,61	32,9 ±0,1	24,2 <sup>0</sup> <sub>-0,1</sub>	33,1 ±0,1	31,90 <sup>+0,1</sup> <sub>0</sub>	17,0 <sup>+0,2</sup> <sub>0</sub>	0,8 <sup>+0,2</sup> <sub>0</sub>
2224006	40	39,30 ±0,10	33,30 ±0,4	40,75 ±0,5	61,10 ±0,5	3,53	32,92	41,2 ±0,1	30,1 <sup>0</sup> <sub>-0,1</sub>	41,2 ±0,1	39,5 <sup>+0,1</sup> <sub>0</sub>	20,15 <sup>+0,2</sup> <sub>0</sub>	1,0 <sup>+0,2</sup> <sub>0</sub>
2224002	50	49,40 ±0,10	45,8 ±0,4	54,10 ±0,5	75,30 ±0,5	4,0	42	51,9 ±0,1	37,7 <sup>0</sup> <sub>-0,1</sub>	51,1 ±0,1	49,6 <sup>+0,1</sup> <sub>0</sub>	24,3 <sup>+0,2</sup> <sub>0</sub>	1,2 <sup>+0,2</sup> <sub>0</sub>

The descriptions and photographs contained in this product specification sheet are supplied by way of information only and are not binding.

Watts reserves the right to carry out any technical and design improvements to its products without prior notice. Warranty : All sales and contracts for sale are expressly conditioned on the buyer's assent to Watts terms and conditions found on its website at [www.watts.com](http://www.watts.com). Watts hereby objects to any term, different from or additional to Socla terms, contained in any buyer communication in any form, unless agreed to in a writing signed by an officer of Watts.



WATTS INDUSTRIES France

1590 avenue d'Orange • CS 10101 Sorgues 84275 VEDENE CEDEX • France

Tel. +33 (0)4 90 33 28 28 • Fax +33 (0)4 90 33 28 39

contact@wattswater.com • [www.wattswater.co.uk](http://www.wattswater.co.uk)