

RT10N Series

Draught regulator

Technical Data Sheet



Description

RT10N Series draught regulators are control devices for use in systems with boilers running on non-atomised solid fuel.



RT10N

AIRSTOP

Draught regulator for boilers running on non-atomised fuels, with single safety. Adjustment range: 30-100°C. Connection: DN 3/4". Wax heat-sensitive element.

Type	Part No.	Stroke	Chain length
RT10N	0234300	60-80 mm	125 cm

Technical features

Maximum water temperature	120°C
Control temperature	30÷100°C
Maximum lever stroke	80 mm

Features

Sheath	Brass
Control knob + body	Reinforced plastic
Lever and chain	Tropicalised steel
Connection	UNI-ISO228/1 - G 3/4" M
Sheath	3/4" x 71.0 mm
Heat-sensitive element	1, wax expansion type

Operation

The draught regulator heat-sensitive element, immersed in the boiler water within a sheath, acts on combustion by appropriately varying the introduction of air into the boiler according to the water temperature, by adjusting the aperture of the boiler air inlet door.

Installation

RT10N Series draught regulators can be installed either horizontally (on the front of the boiler) or vertically (on top of the boiler). When positioned horizontally (on the front), the lever retaining screw (9) must be located below the regulator body (**Fig.1**). The number visible in the window in the cap shows the temperature setting. When positioned vertically (on top), the lever retaining screw must be facing forwards (**Fig.2**). The number in the window in the cap shows the temperature setting.

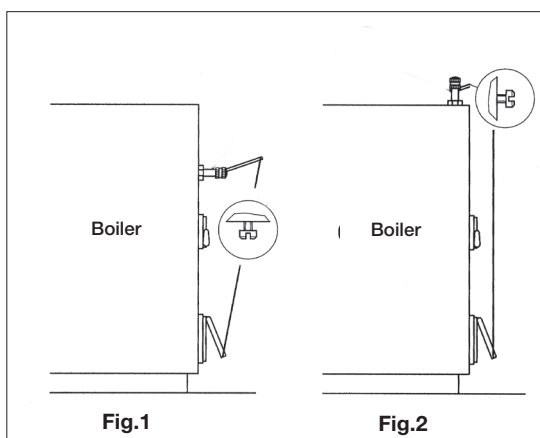
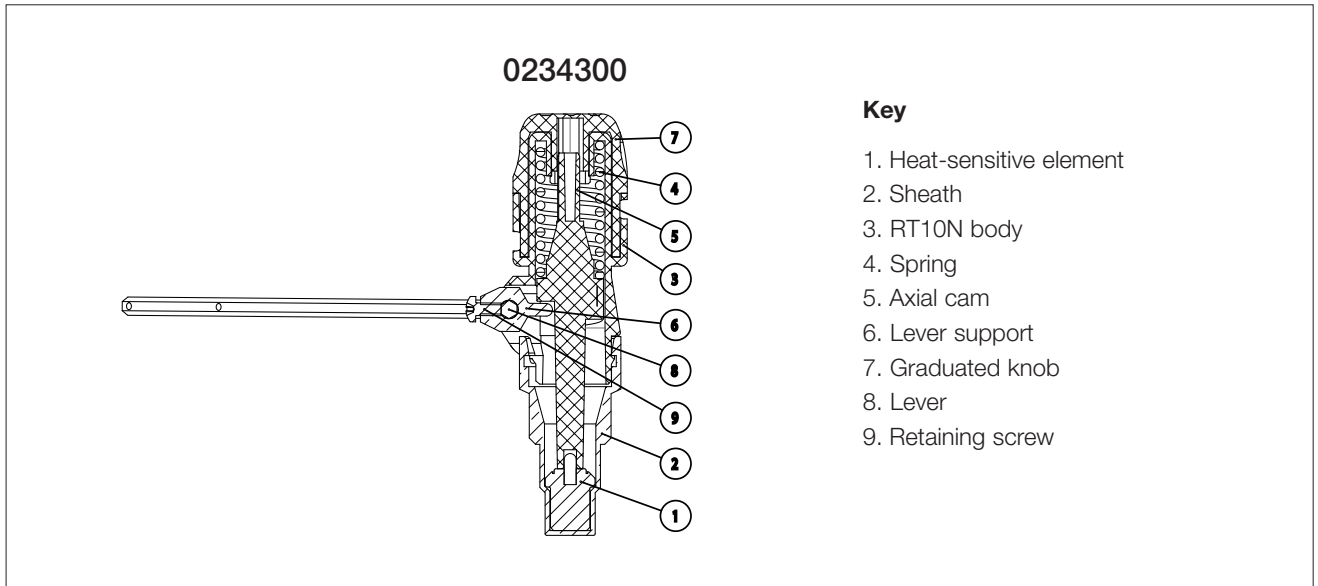


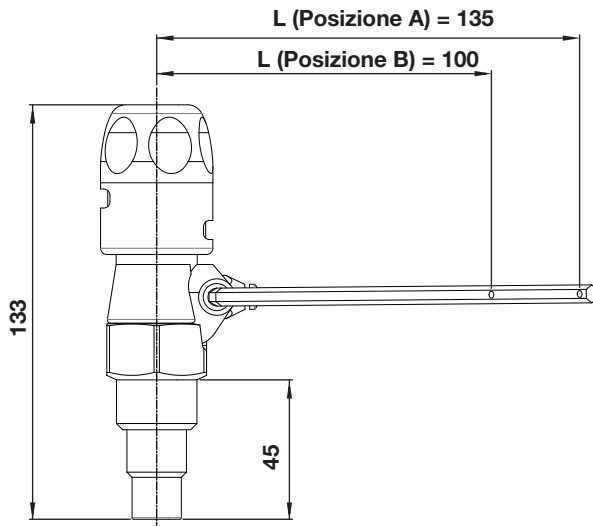
Fig.1

Fig.2



Overall dimensions (mm)

RT10N



Stroke	Position
60	A
80	B

Specification text

RT10N Series

AIRSTOP draught regulator **RT10N Series** – WATTS brand – for boilers running on non-atomised fuels, with single safety. Wax heat-sensitive element. Adjustment range: 30÷100°C. Connection: DN 3/4". Stroke 60÷80mm. Chain length 125mm.



The descriptions and photographs contained in this product specification sheet are supplied by way of information only and are not binding.

Watts Industries reserves the right to carry out any technical and design improvements to its products without prior notice. Warranty: All sales and contracts for sale are expressly conditioned on the buyer's assent to Watts terms and conditions found on its website at www.wattsindustries.com. Watts hereby objects to any term, different from or additional to Watts terms, contained in any buyer communication in any form, unless agreed to in a writing signed by an officer of Watts.



Watts Industries Italia S.r.l.

Via Brenno, 21 • 20853 Biassono (MB) • Italy
Tel. +39 039 4986.1 • Fax +39 039 4986.222
infowattsitatia@wattswater.com • www.wattsindustries.com