

# MMV-C

Thermostatic mixing valve (MMV – Compact)

## Technical data sheet



## Description

Compact thermostatic mixing valve designed to supply general purpose applications with tempered water not exceeding a set temperature.

- Easily installed thermostatic mixing valve.
- Handwheel with set positions (graduated scale Min to Max - 5 setting positions) or click cover cap.
- Locking cap preventing the end user from adjusting the temperature.
- Temperature: accurate to within 1,5°C of chosen temperature between 35°C and 45°C (with balanced dynamic pressure)
- Outstanding reliability.
- Anticorrosion DZR Brass body.
- Immediate fail-safe in case of cold or hot water interruption (mixing valve cut-off with residual flow).
- Fitted with 2 check valves.
- Can be installed in any position.
- Nickel plated finish or self-colour brass.
- Sanitary Conformity Certificate.

## Technical features

Technical features	
Maximum static pressure	10 bar
Maximum dynamic pressure	6 bar
Operating pressure	0,1 to 5 bar
Hot temperature supply *	52°C – 85°C
Cold temperature supply *	5°C – 20°C
Temperature setting range	30°C / 65°C
Flow rate at 3 bar	57 l/min
Flow mini.	5 l/min

\* differential minimum hot/mix temperature must be 10°C, minimum 5°C.

## Part number



Part number	Body	Connections	Flow	Setting range	Weight
Lockable, nickel plated finish					
2297134	DN25	union M/M/M 1/2"	57 l/min	30/65°C	0,692 kg
2297136	DN25	union M/M/M 3/4"	57 l/min	30/65°C	0,750 kg
2297128	DN20	M/M/M 3/4"	57 l/min	30/65°C	0,439 kg
2297138	DN25	M/M/M 1"	57 l/min	30/65°C	0,383 kg



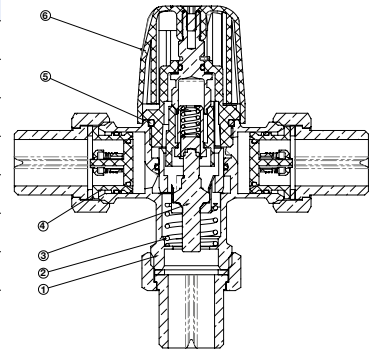
Lockable, self-colour brass finish					
2297133	DN25	union M/M/M 1/2"	57 l/min	30/65°C	0,690 kg
2297135	DN25	union M/M/M 3/4"	57 l/min	30/65°C	0,745 kg
2297137	DN25	M/M/M 1"	57 l/min	30/65°C	0,376 kg



With click cover cap, nickel plated finish					
2297182	DN25	union M/M/M 1/2"	57 l/min	30/50°C	0,692 kg
2297183	DN25	union M/M/M 3/4"	57 l/min	30/60°C	0,739 kg
2297180	DN25	M/M/M 1"	57 l/min	30/50°C	0,386 kg
2297181	DN25	M/M/M 1"	57 l/min	30/60°C	0,386 kg

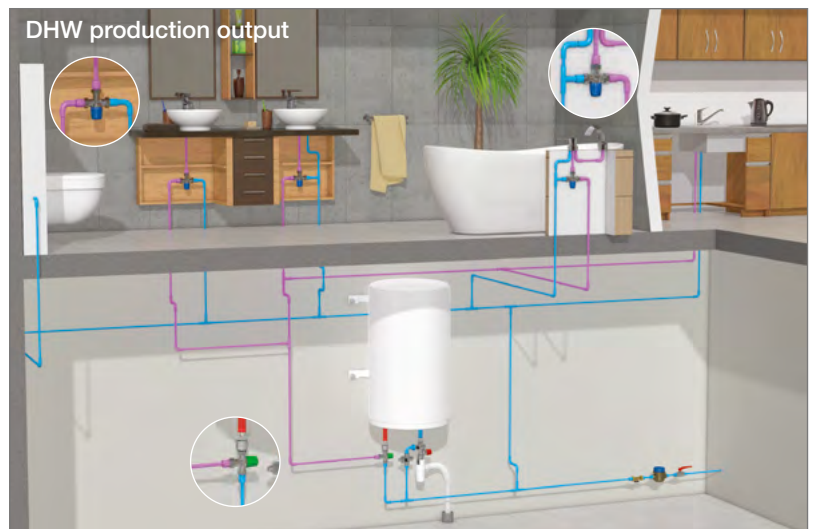
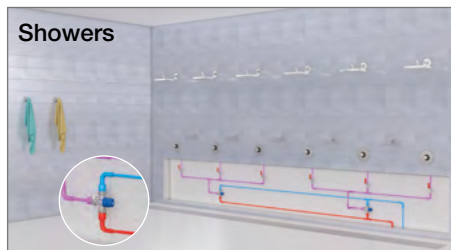
## Nomenclature and materials

N°	Designation	Materials	EURO
1	Body	DZR anticorrosion brass	CW625N
	Finish	Nickel plated or self-colour brass	
2	Spring	Stainless steel	1.4310 (AISI 301/302)
	Others brass parts		CW617N-4MS
3	Piston	PSU	PSu
4	Check valve 1"	POM + stainless steel + rubber	POM & EPDM
5	O-ring	EPDM & NBR	
6	Head	PA	Grivory HT1V-4XFWA black 9225 (PPA)



## Application

Compact thermostatic mixing valve designed to supply general purpose applications with tempered water not exceeding a set temperature. Ideal for multi-facility applications: domestic homes, schools, restaurants, laboratories, motorway services, commercial buildings... Anywhere needing a supply of water at a temperature pre-set on site.



## Installation and setting

To maintain the performance of the mixing valve, a filter must be installed upstream of the main water supply.

The thermostatic mixing valve is supplied factory pre-set at 38°C. However, installation conditions will dictate, that the product be adjust on site. With both hot and cold supplies turned fully on and the terminal fitting open, adjust the temperature to the required setting.

To adjust the temperature, simply unscrew the locking screw on the top of the cap, set the valves and lock with the screw:

- To increase the temperature, turn anti-clockwise.
- To decrease the temperature, turn clockwise.

Handwheel with graduated scale Min to Max - 5 setting positions.

Handwheel with click cover cap.

The temperature and pressures must be stabilized and checked before commissioning (allow mixed water to flow for 1 minute prior final setting).

All parameters must be in accordance with the technical specifications of the valve.

After final adjustment, replace the cap to lock the valve in position and prevent tampering.

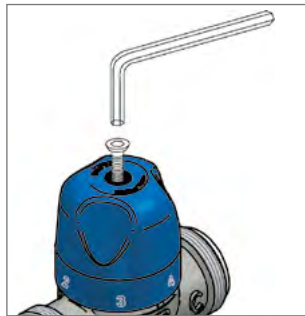


## Setting lock

For adjustable models (blue cap), temperature locking is possible with the locking screw.

With the supplied hex wrench, unscrew the locking screw at the top of the cap, and lift the cap a little. Set the temperature.

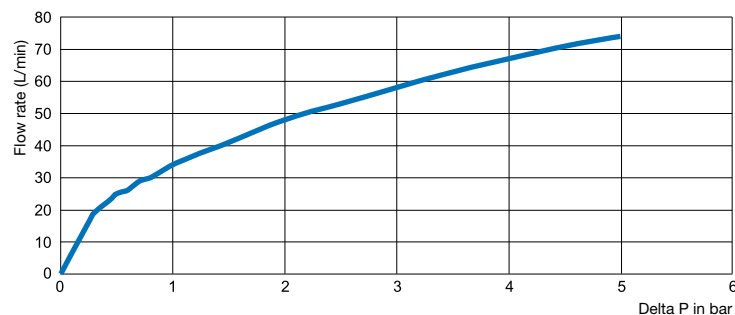
Once the temperature is set, lower the cap and screw again the locking screw



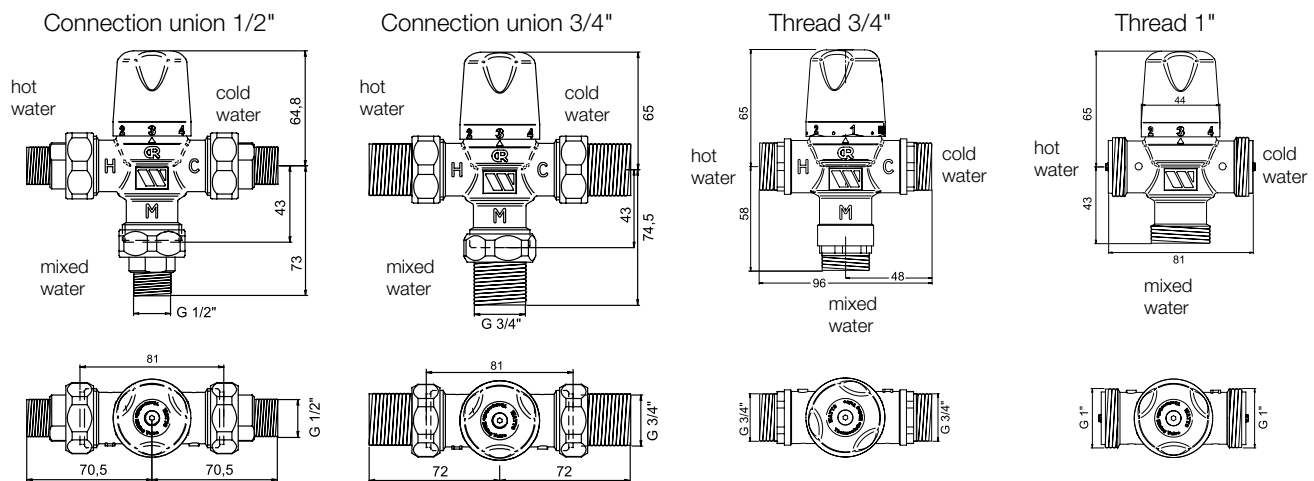
## Operating



Headloss chart

Factory pre-set at 38°C.



## Sizing (mm)



Follow us    Watts Water Technologies

The descriptions and photographs contained in this product specification sheet are supplied by way of information only and are not binding. Watts reserves the right to carry out any technical and design improvements to its products without prior notice. Warranty : All sales and contracts for sale are expressly conditioned on the buyer's assent to Watts terms and conditions found on its website at [www.watts.com](http://www.watts.com). Watts hereby objects to any term, different from or additional to Socla terms, contained in any buyer communication in any form, unless agreed to in a writing signed by an officer of Watts.

# WATTS®

WATTS INDUSTRIES France

1590 avenue d'Orange • CS 10101 Sorgues 84275 VEDENE CEDEX • FRANCE

Tél. +33 (0)4 90 33 28 28 • Fax +33 (0)4 90 33 28 29/39

contact@wattswater.com • [www.wattswater.eu](http://www.wattswater.eu)