

ISOMIX-F

Control unit for panel heating/cooling systems

Constant temperature maintenance

Technical Data Sheet



Description and application

The **ISOMIX-F** is a control unit designed for use in systems with combined panel heating/cooling. In heating mode, the control unit ensures fixed value control of the flow temperature and circulation of the hot water in heating circuits. In cooling mode, **ISOMIX-F** is used to provide the circulation of cooling water in the cooling circuits.

Control unit ISOMIX-F

Ready-to-mount, compact control unit to control supply temperature in radiant panel heating systems up to 14 kW heat demand.

Supply temperature setting range: 20–70 °C, temperature limiting and locking facility on thermostatic head. Pre-wired pump and temperature limiter. Can be mounted on the right or left side of the manifold. Suitable for all Watts 1" M heating circuit manifolds. Nickel plated. Insulating shell available as an accessory.



Type	Part no.	Pump	Weight
ISOMIX-F	10084161	Wilo Para SCU/6	3,84 kg
ISOMIX-F	10084635	Grundfos UPM3A/7	4,05 kg
ISOMIX-F	10087333	Lowara Eco2/6	4,00 kg
ISOMIX-F	10082500	without pump	2,02 kg
Insulating shell	10085876	Insulation Isomix-F(HC)	0,25 kg

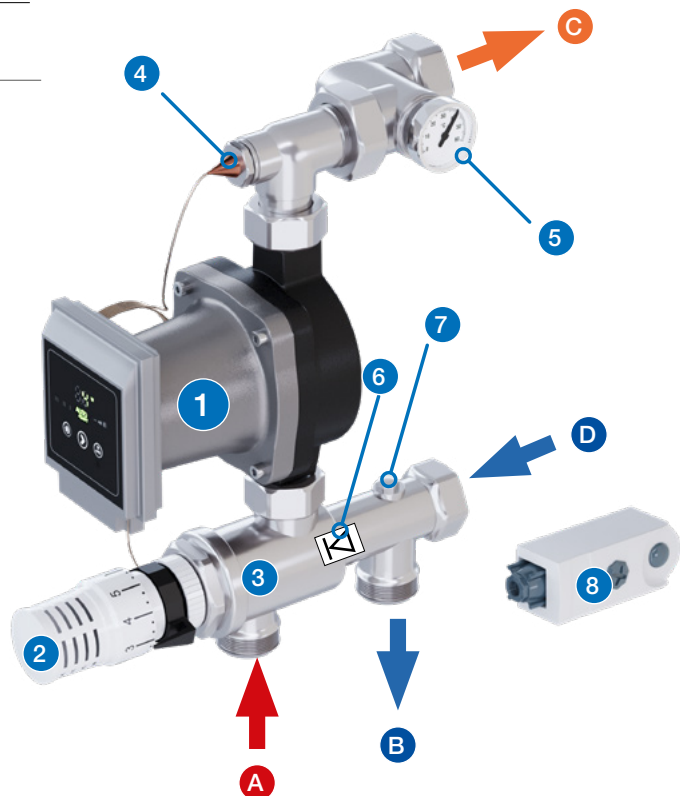
Technical characteristics and materials

Technical characteristics	
Operating ambient temperature	0 - 40 °C
Operating medium temperature	0 - 80 °C
Max. operating pressure	10 bar
Setting range of supply temperature	20 - 70 °C
Heat demand	appr. 14 kW, $\Delta T = 10K$
Voltage	230 V - 50Hz
Kvs value	3.55
Differential pressure	max. 500 mbar
Connections primary circuit	1" M with flat seals
Connections secondary circuit	1" union nut with flat seals

Materials	
Fittings	brass CW617 N, nickel plated
Plastics	impact and temperature resistant
Flat seals	AFM 34/2
O-rings	EPDM

Structure

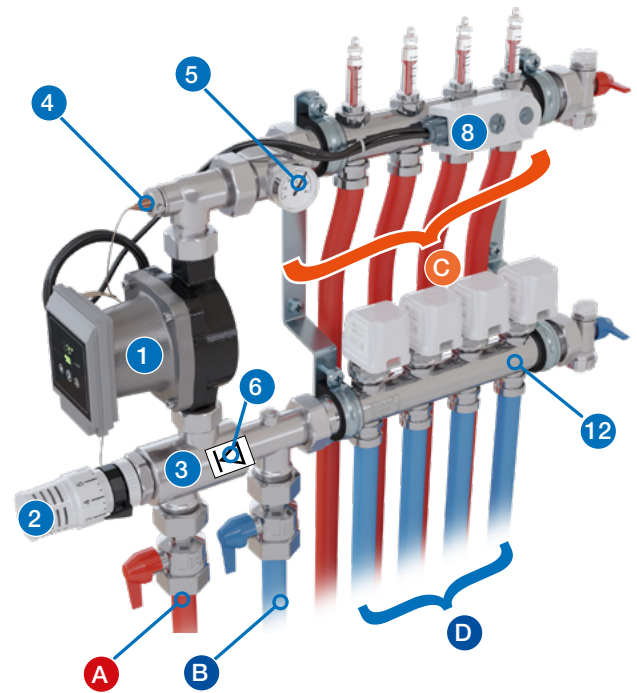
- 1 Circulation pump 130 mm
 - 2 Thermostatic head
 - 3 Mixing valve
 - 4 Immersion sleeve for capillary tube and supply temperature sensor
 - 5 Eccentric screw fitting with thermometer 0-60 °C
 - 6 Plastic insert check valve
 - 7 Connection for return flow sensor 1/8"(option)
 - 8 Temperature limiter
- A Primary supply 1" M, flat seals
 B Primary return 1" M, flat seals
 C Surface heating/cooling supply (1" union nut)
 D Surface heating/cooling return (1" union nut)



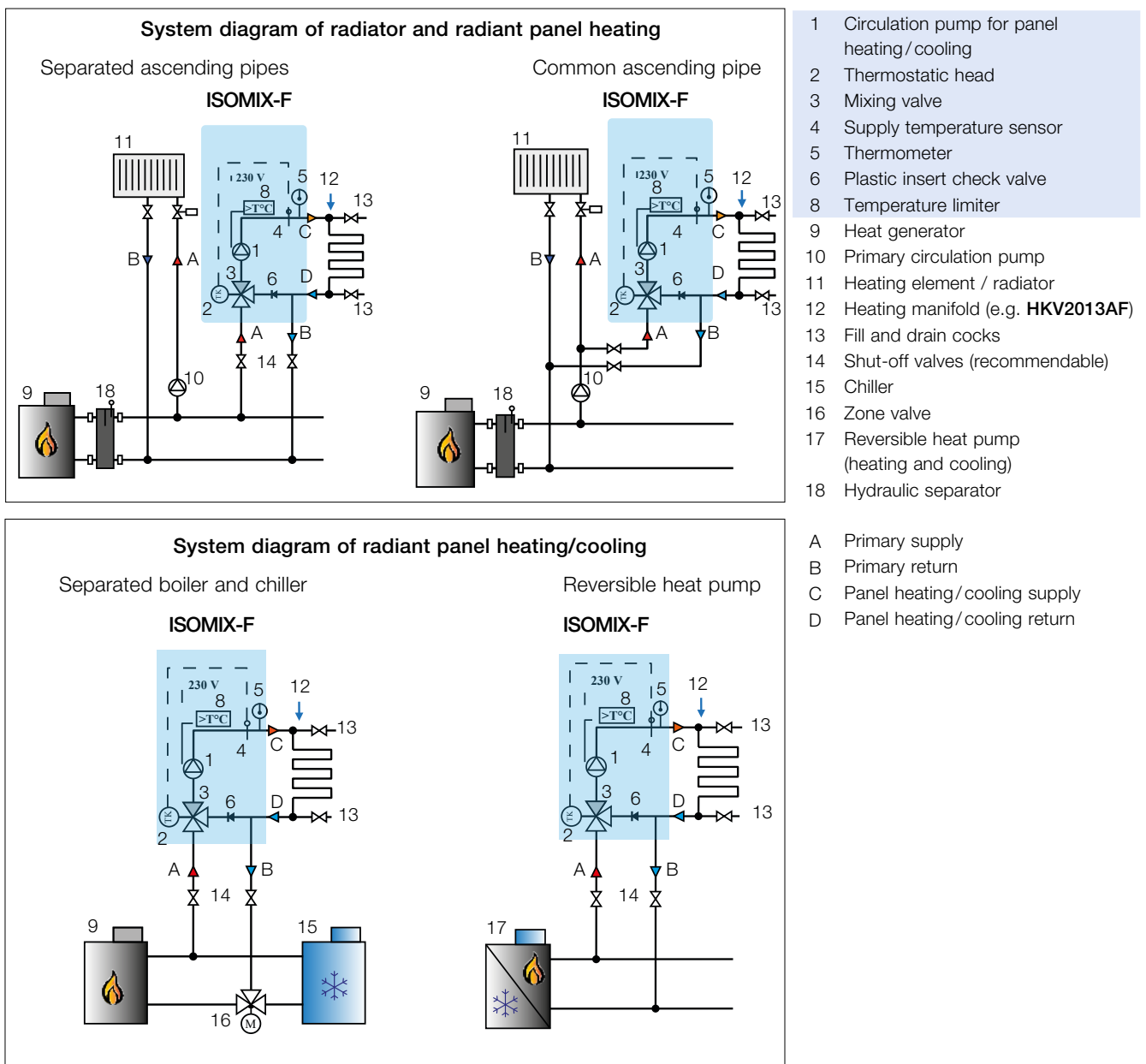
Operation

The mixing valve (3) of the control unit **ISOMIX-F** is designed as a proportional regulator and is controlled by a thermostatic head (2) with capillary tube and supply temperature sensor (4) on the floor heating circuit flow. Deviations from the set point set on the thermostatic head (2) immediately cause a change in the valve stroke, so that the volume of hot water injected from the primary flow (A) changes accordingly. The injected water volume is mixed with the return water (D) from the manifold (12) at the inlet to the circulation pump and, in this way, keeps the supply temperature constant within a narrow temperature range. The actual value can be checked on the thermometer (5). Check valve (6) prevents a short-circuit of the primary circuit.

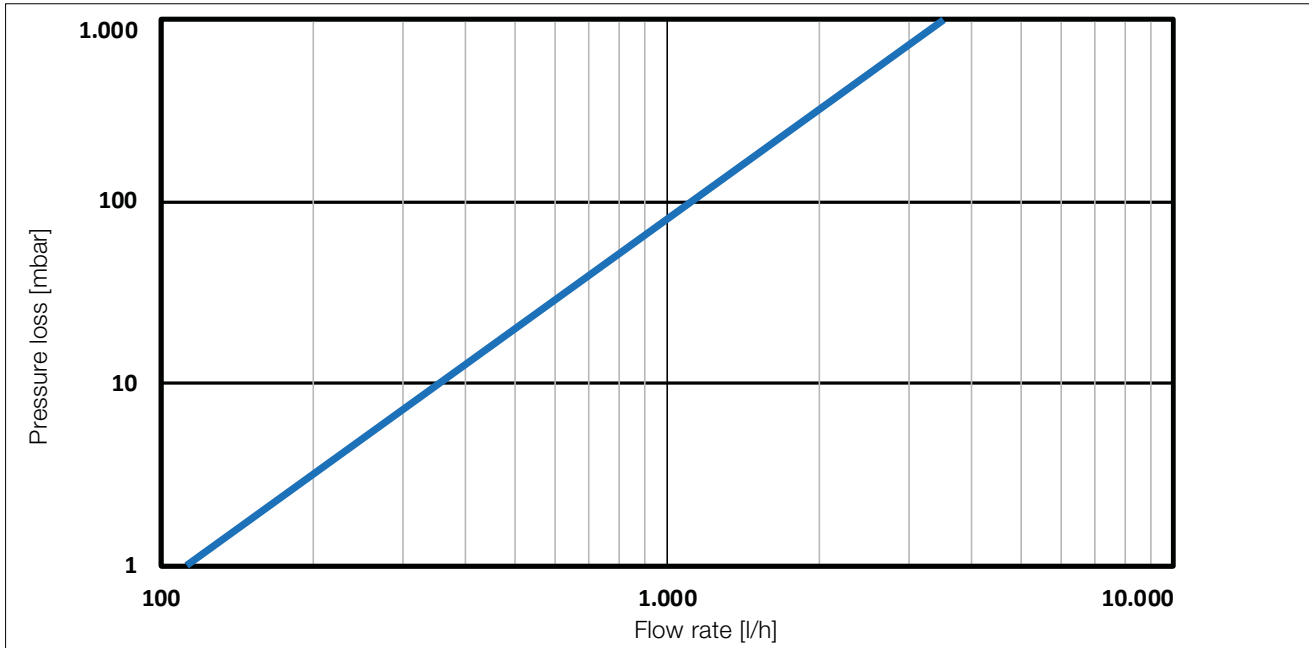
The temperature limiter (8) switches off the circulating pump (1), when the supply temperature is exceeded, thus preventing the panel heating system from overheating. The thermostatic head (2) opens the mixing valve (3) in cooling mode.



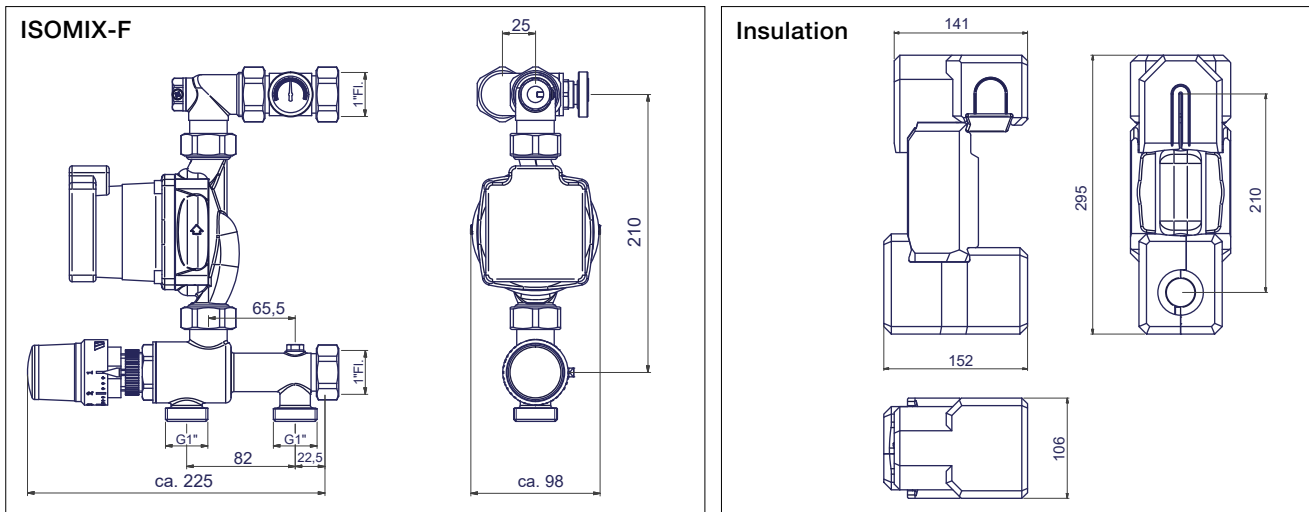
Examples of applications



Pressure loss curve



Overall dimensions [mm]



Specification text

Ready-to-mount, compact control unit to control supply temperature in radiant panel heating systems up to 14 kW heat demand. Supply temperature setting range: 20–70 °C, temperature limiting and locking facility on thermostatic head. Pre-wired pump and temperature limiter. Can be mounted on the right or left side of the manifold. Suitable for all Watts 1" M heating circuit manifolds. Nickel plated. Insulating shell available as an accessory.

The descriptions and photographs contained in this product specification sheet are supplied by way of information only and are not binding. Watts Industries reserves the right to carry out any technical and design improvements to its products without prior notice.

Warranty: All sales and contracts for sale are expressly conditioned on the buyer's assent to Watts terms and conditions found on its website at www.watts.eu/en/gtc. Watts hereby objects to any term, different from or additional to Watts terms, contained in any buyer communication in any form, unless agreed to in a writing signed by an officer of Watts.



Watts Industries Deutschland GmbH

Godramsteiner Hauptstr. 167 • 76829 Landau • Deutschland

Telefon: +49 6341 9656-0 • Fax: +49 6341 9656-560

E-Mail: WIDE@wattswater.com • www.watts.eu/de